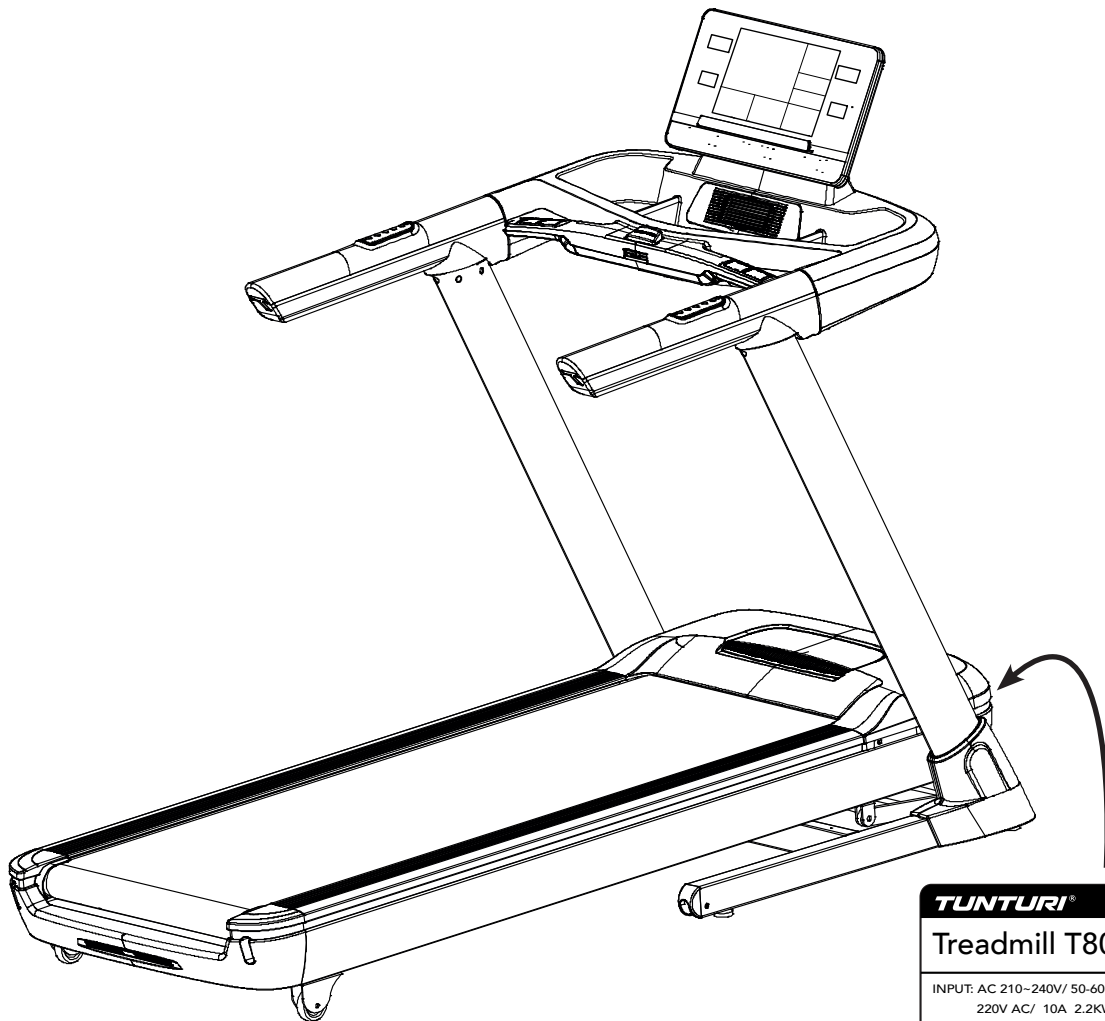





# TUNTURI®

## T80 Treadmill

|    |                         |         |
|----|-------------------------|---------|
| GB | User manual             | 17 - 25 |
| DE | Benutzerhandbuch        | 26 - 34 |
| FR | Manuel de l'utilisateur | 35 - 43 |
| NL | Gebruikershandleiding   | 44 - 52 |
| IT | Manuale d'uso           | 53 - 61 |
| ES | Manual del usuario      | 62 - 70 |
| SV | Bruksanvisning          | 71 - 79 |
| SU | Käyttöohje              | 80 - 88 |



|  |  |
|--|--|
| <b>TUNTURI®</b>                                      |  |
| <b>Treadmill T80</b>                                 | <b>CE</b>  |
| INPUT: AC 210-240V/ 50-60HZ<br>220V AC/ 10A 2.2KW    |   |
| MAX USER WEIGHT: 150 KGS<br>HOME USE / MADE IN CHINA | EN957/ Class HA<br>  |
| Serial number:                                       |  |

**Attention, Achtung, Attention, Attentie, Attenzione, Atención, Giv akt, Huomio**

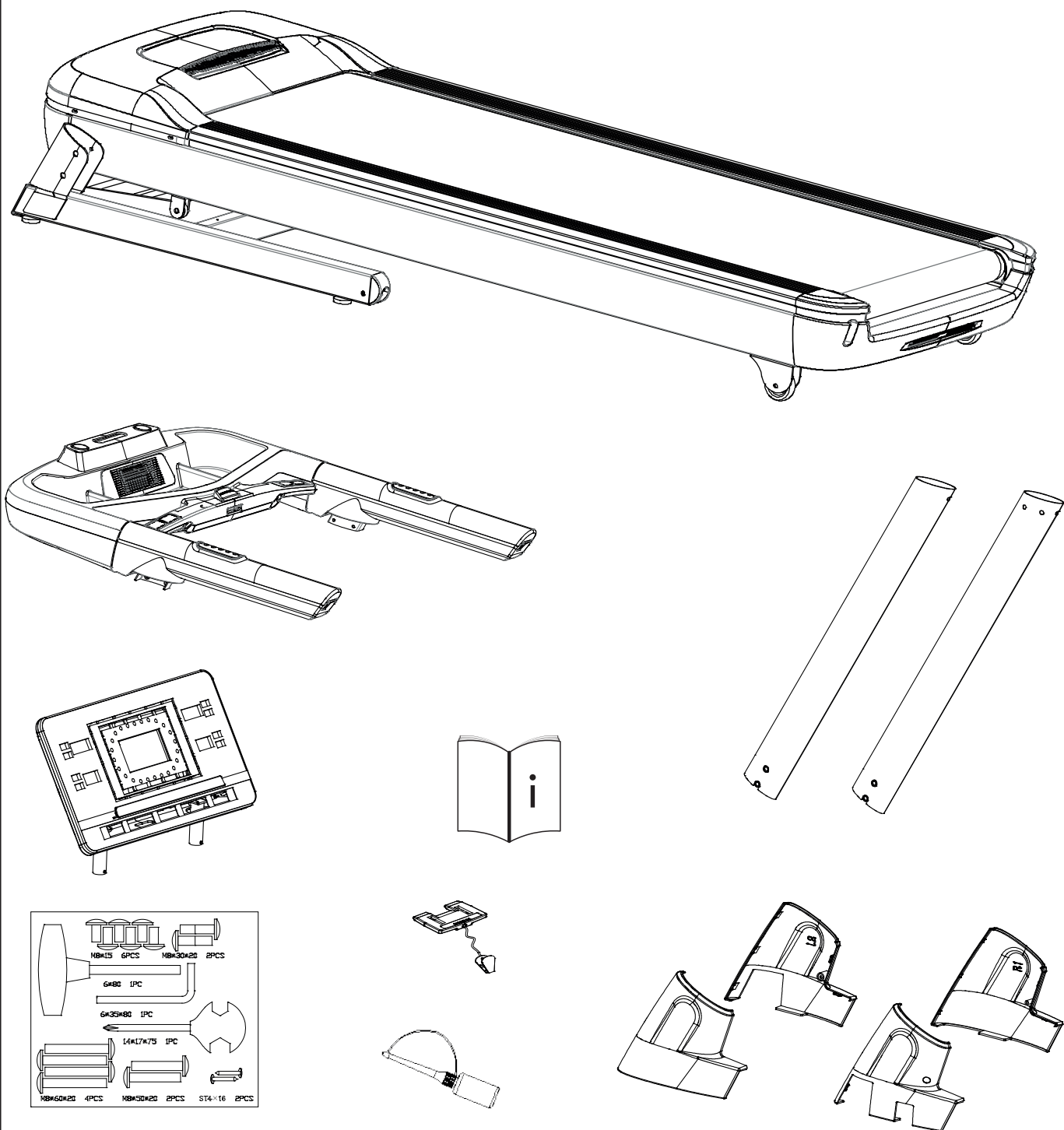
- Please read this Owner's manual before assembling this product.
- Bitte lesen Sie dieses Handbuch durch, bevor Sie mit er Montage dieses Produkts beginnen.
- Veuillez lire ce manuel avant de commencer le montage de ce produit.
- Leest u deze handleiding voordat u dit apparaat installeert.
- Leggere questo manuale prima di assemblare questo prodotto.
- Lea este manual antes de montar este producto
- Läs bruksanvisningen innan du monterar denna produkt
- Lue tämä käsikirja ennen kokoamista tuotetta



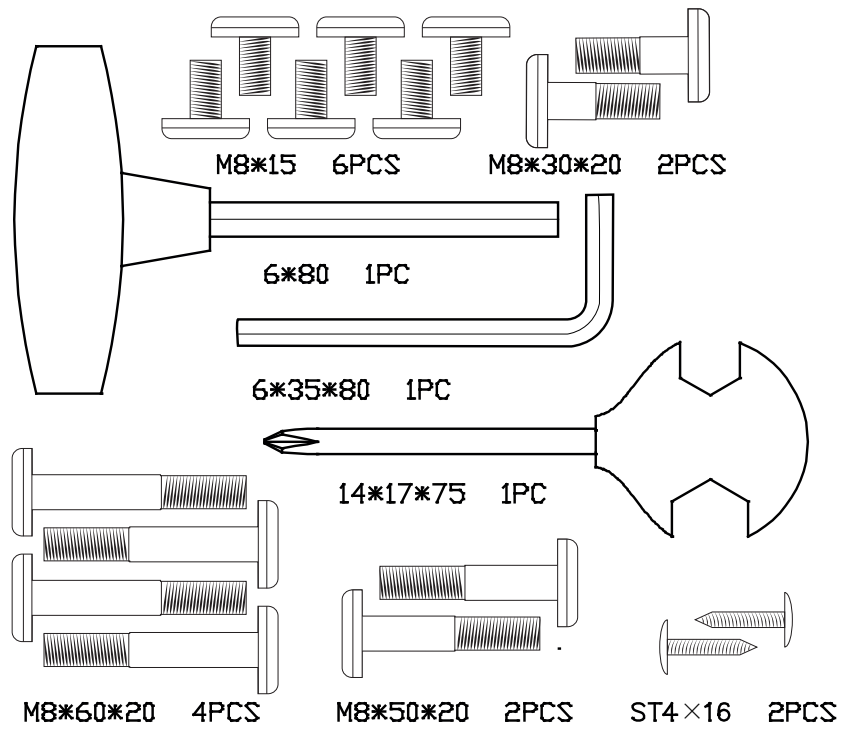
A



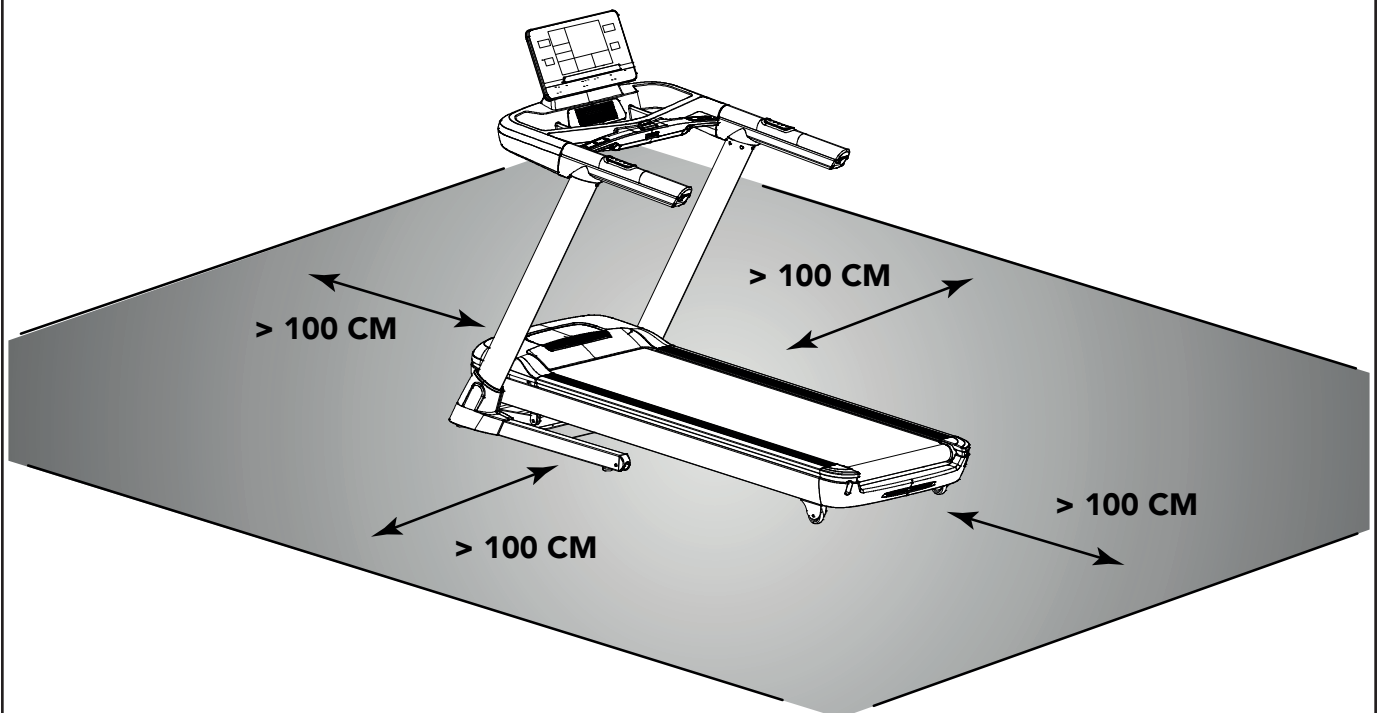
# B



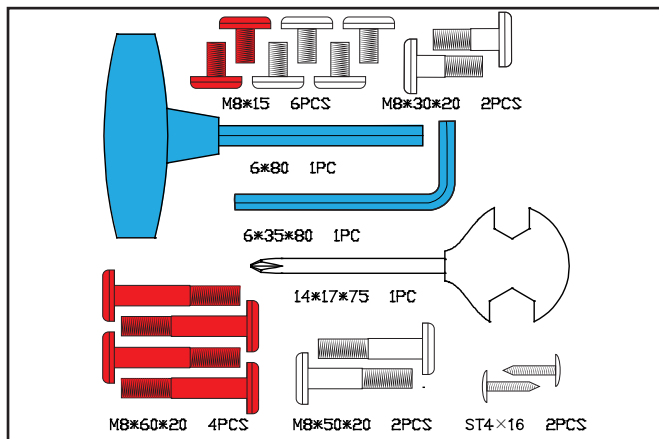
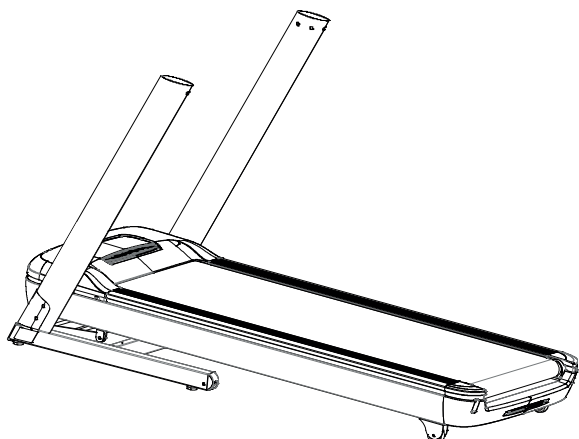
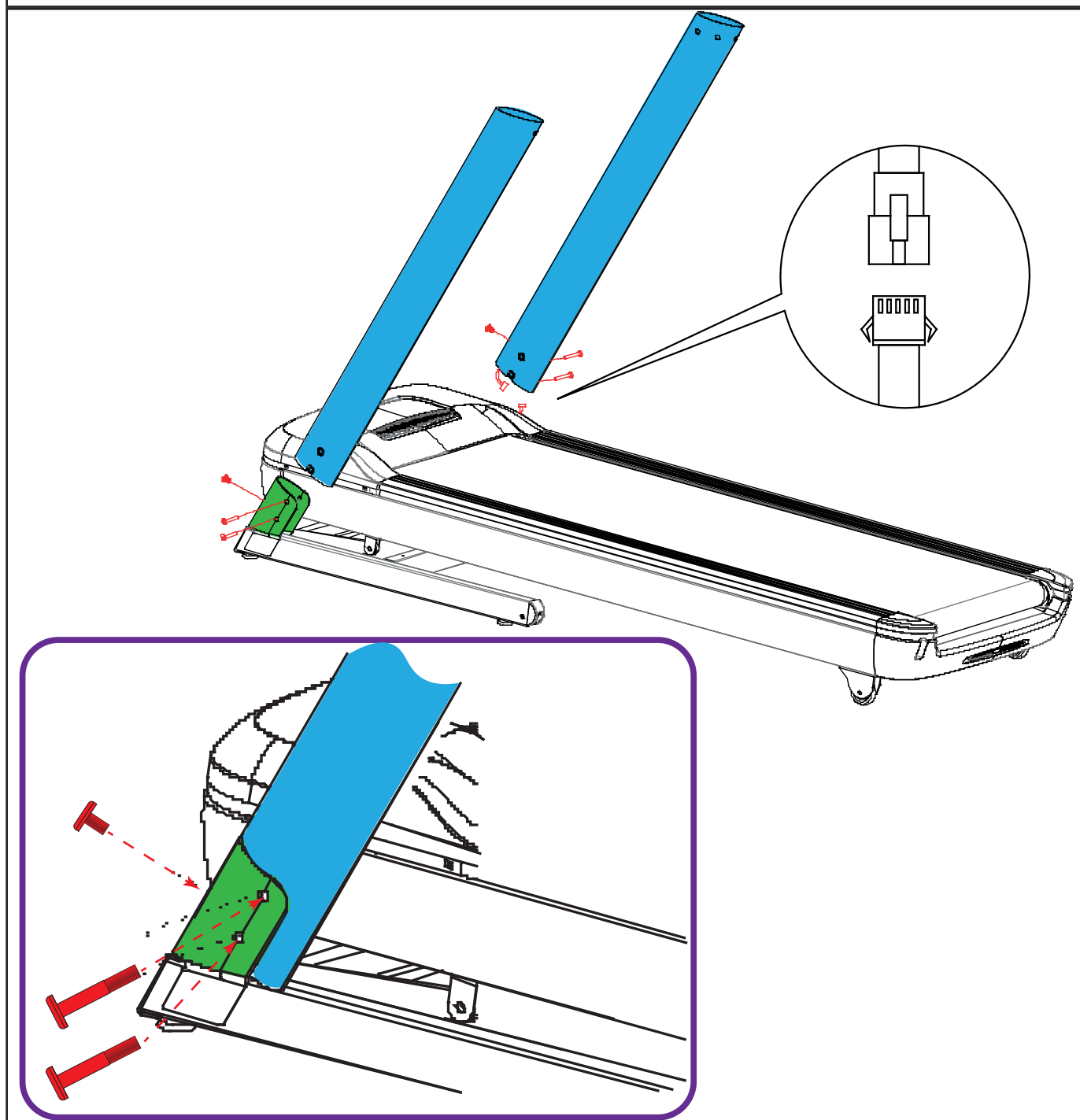
C



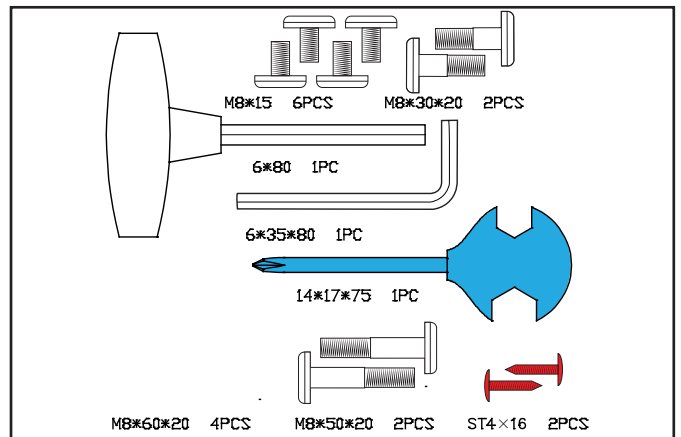
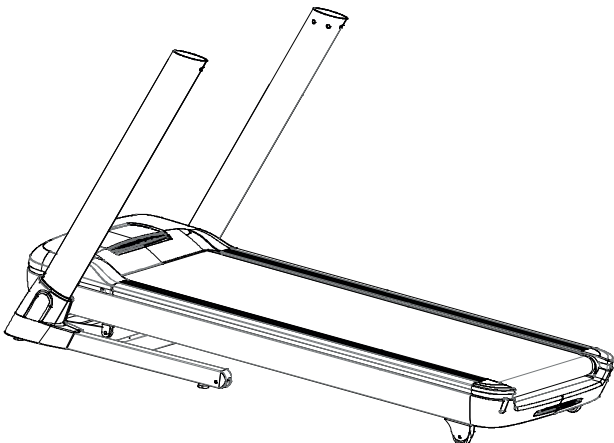
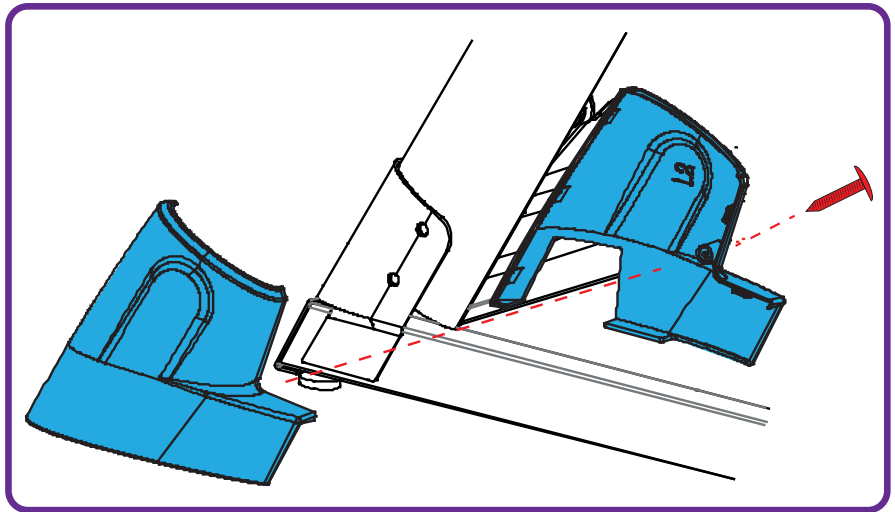
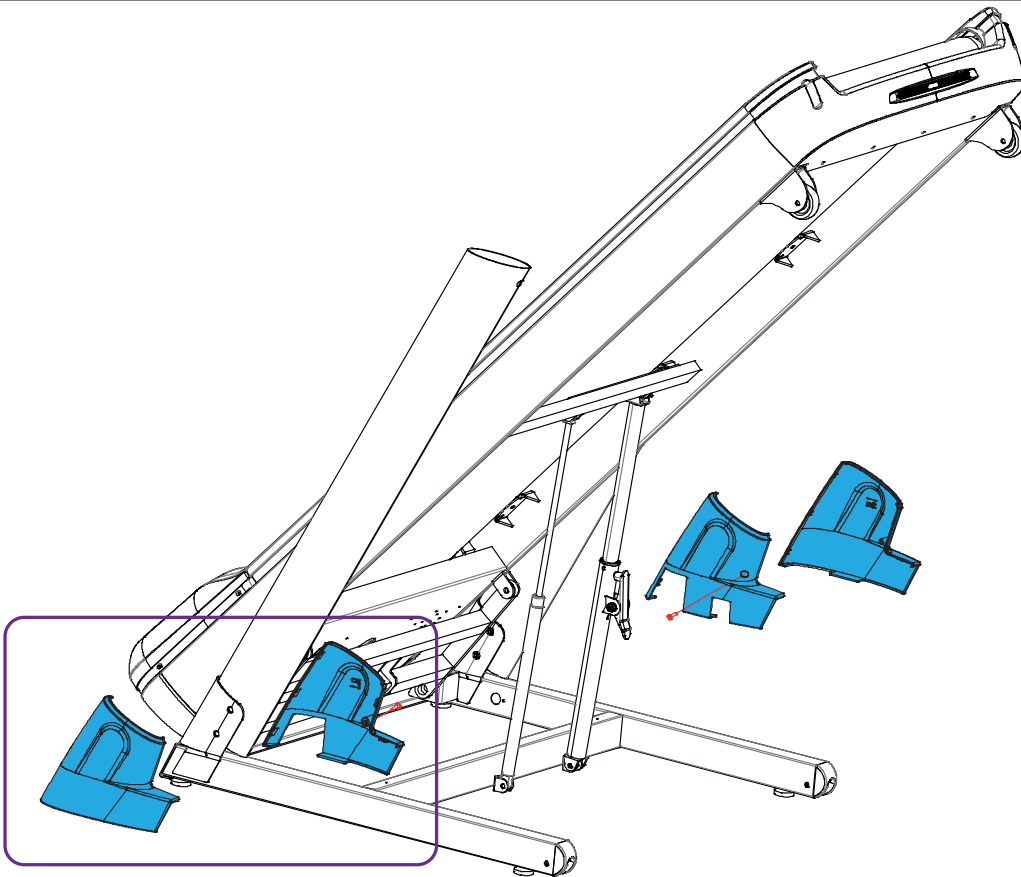
D-0



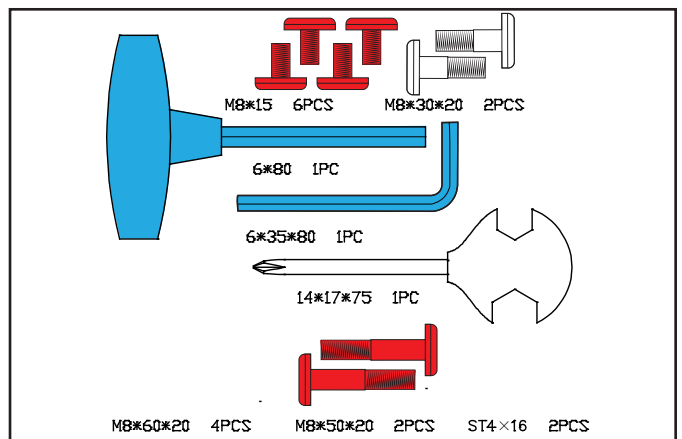
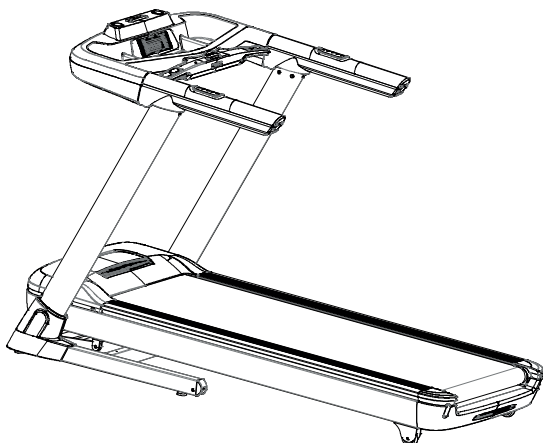
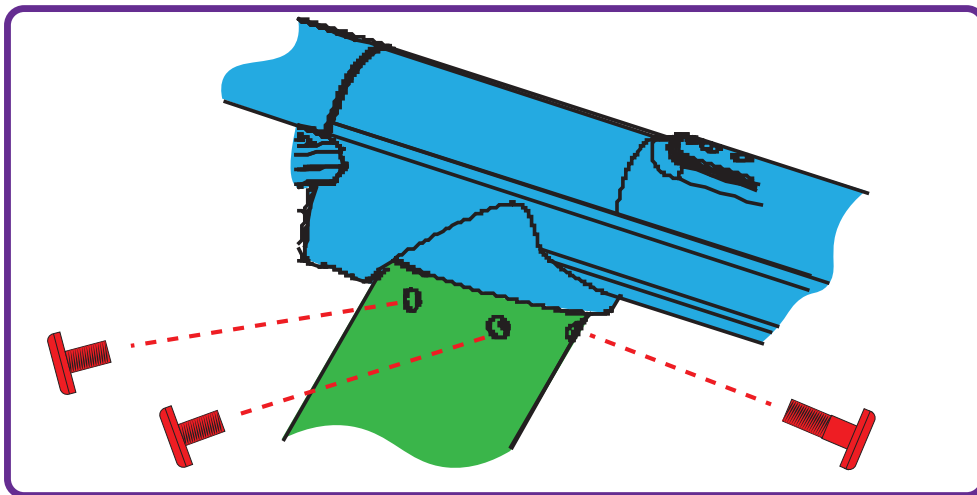
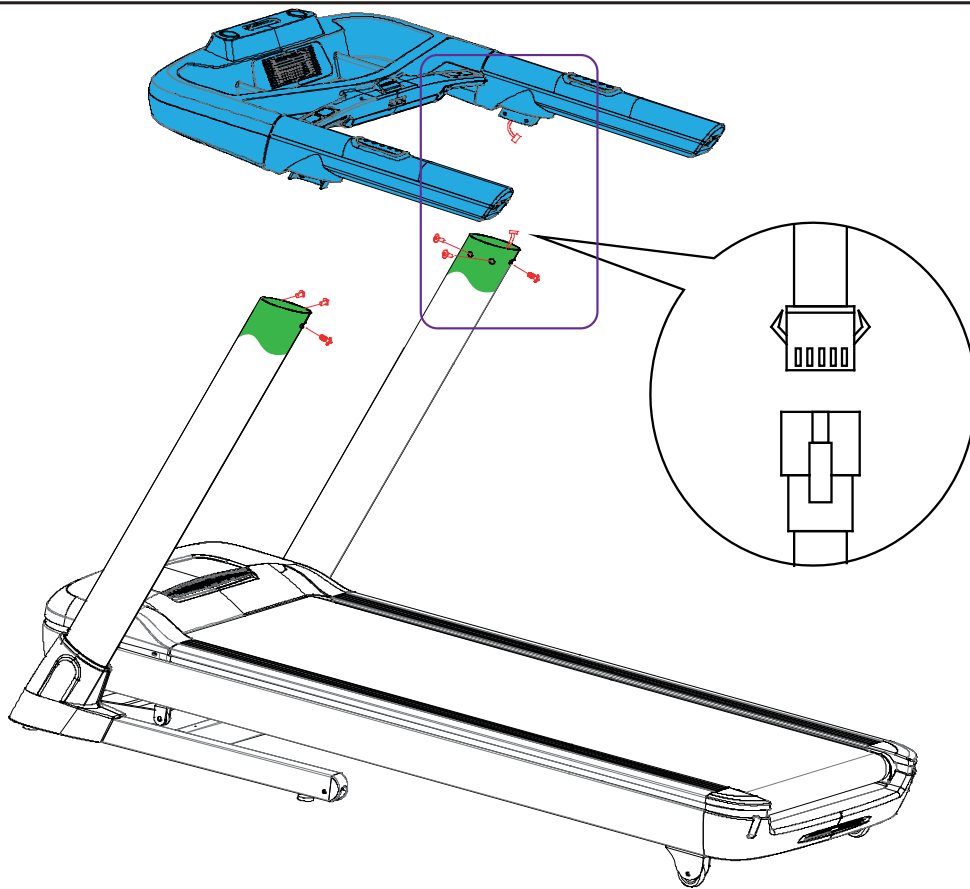
# D-1



D-2

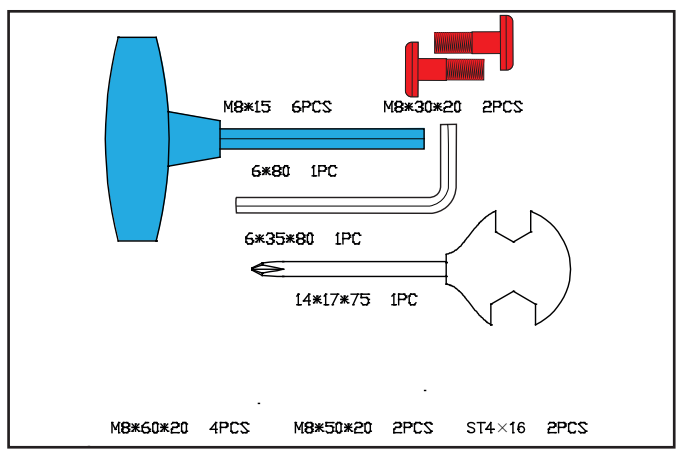
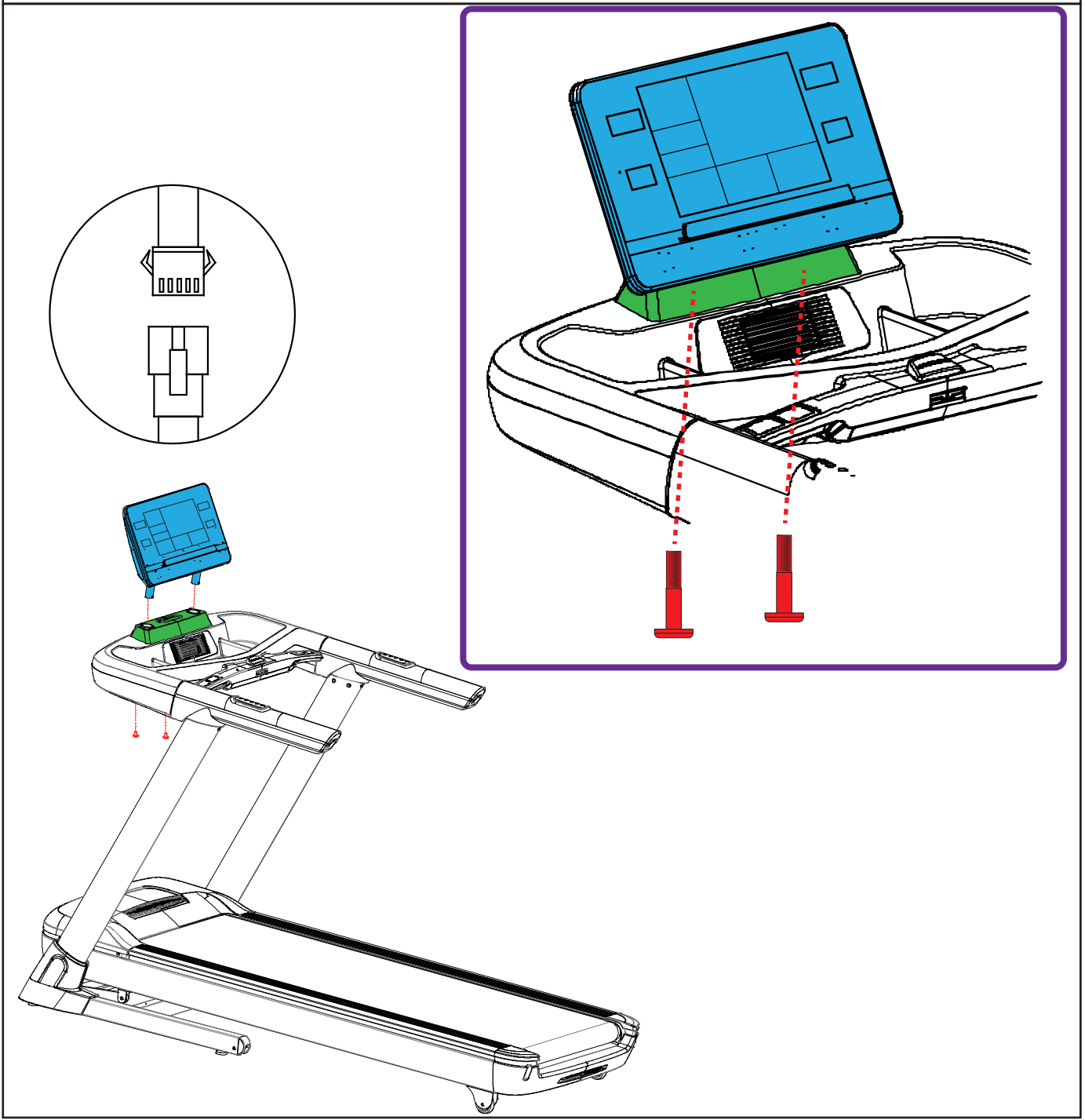


# D-3

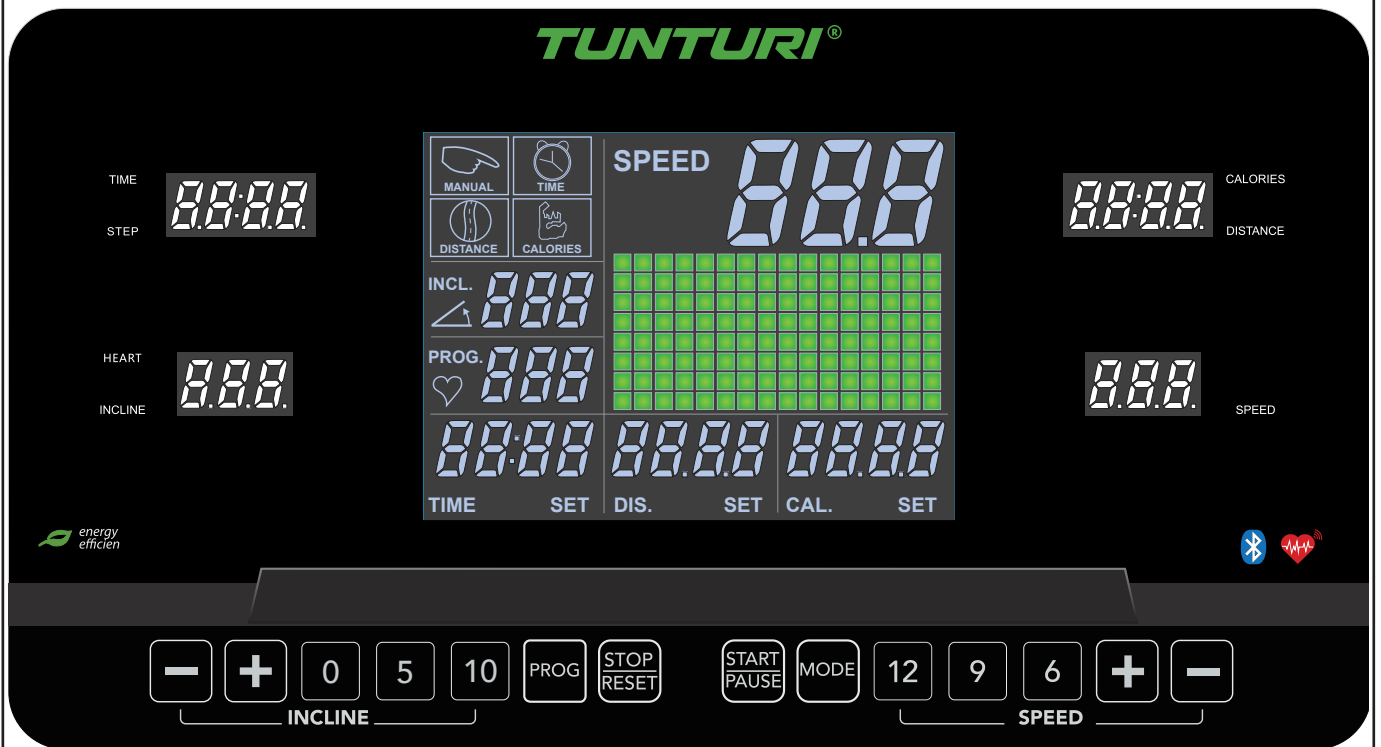




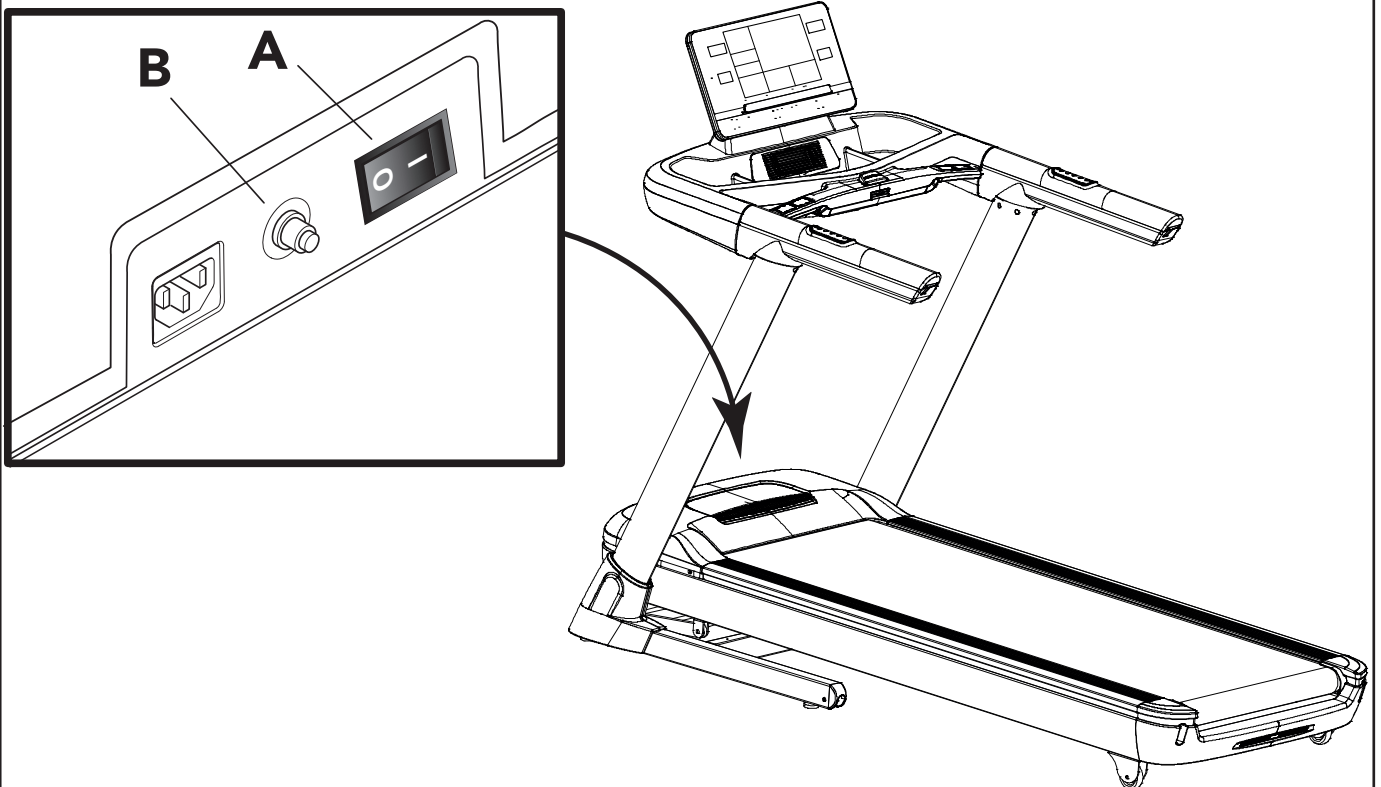
# D-4



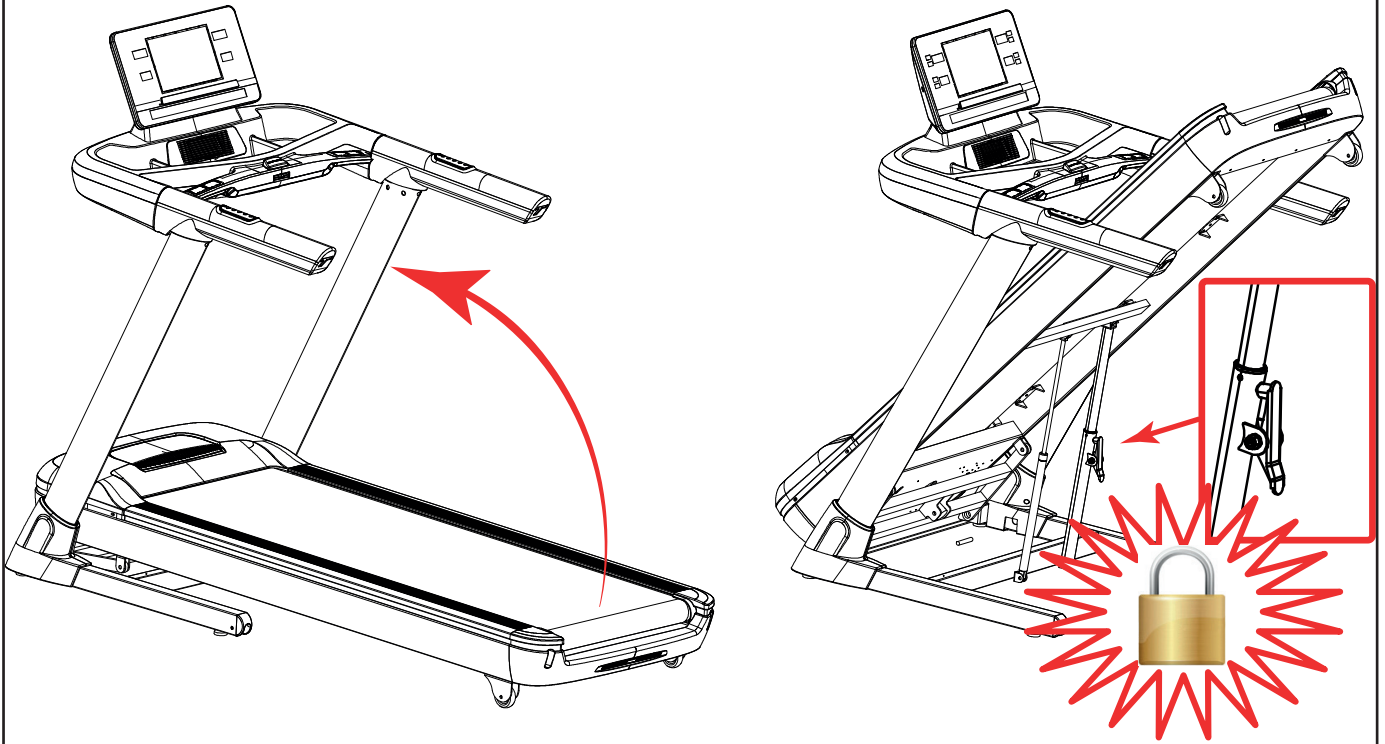
# E-1



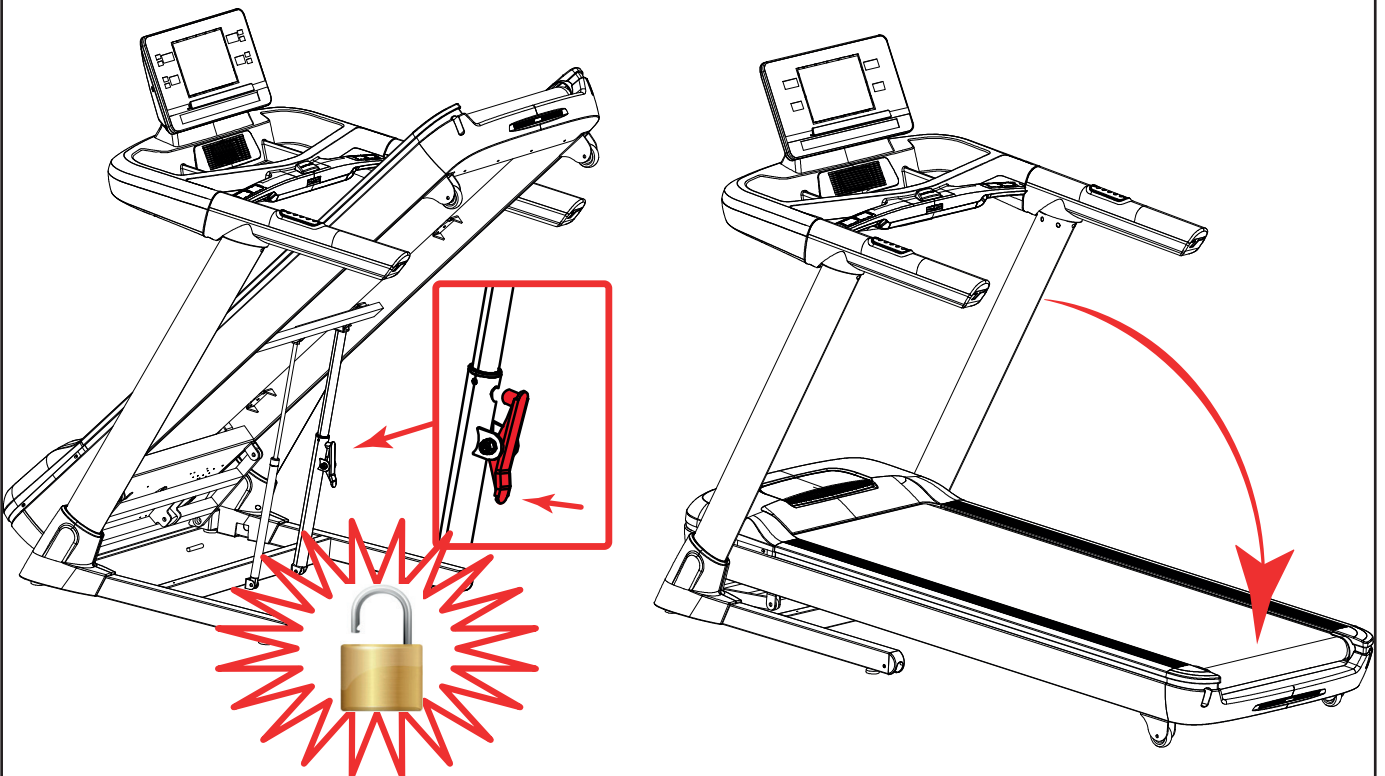
# E-2



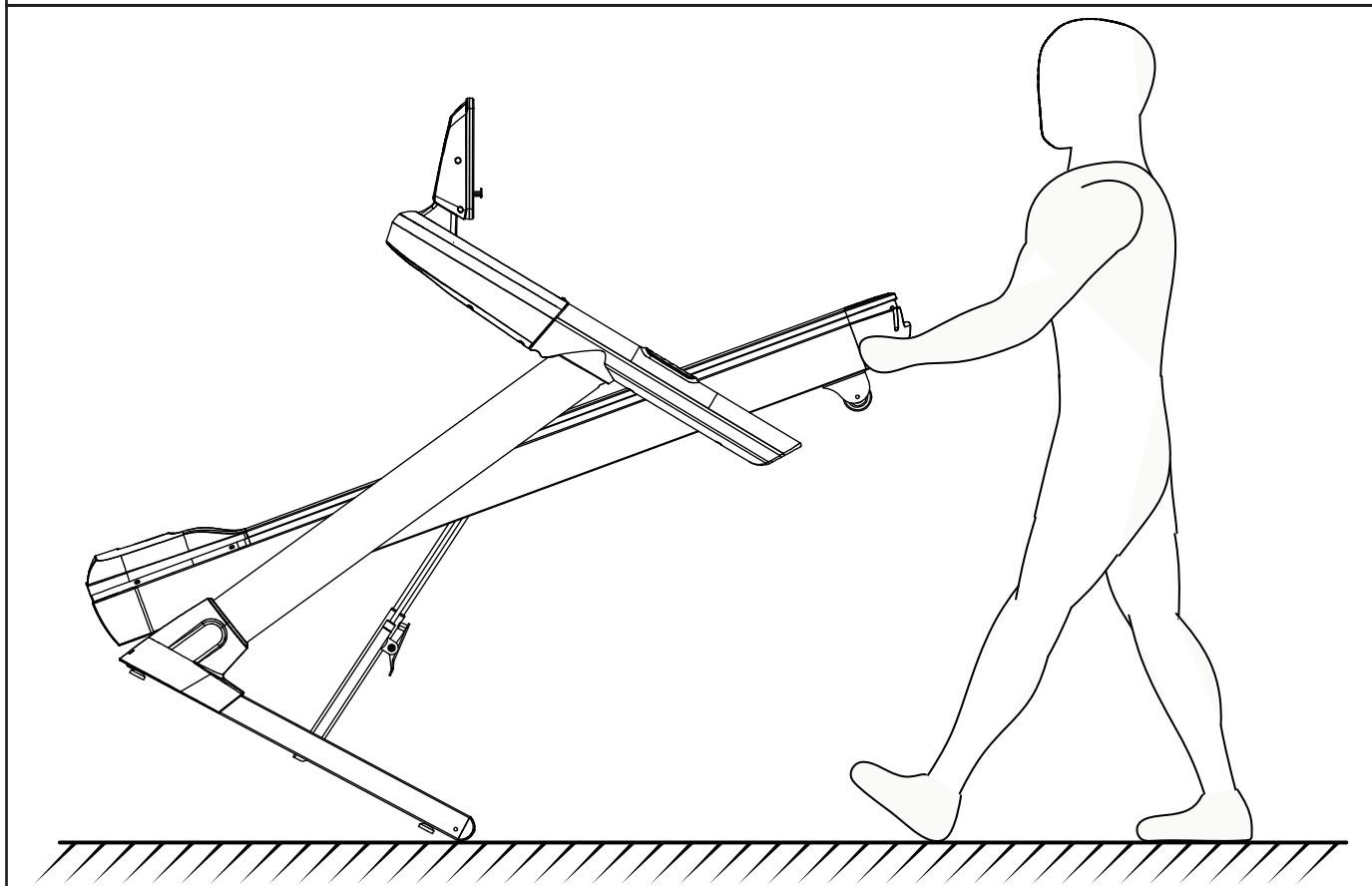
# F-1



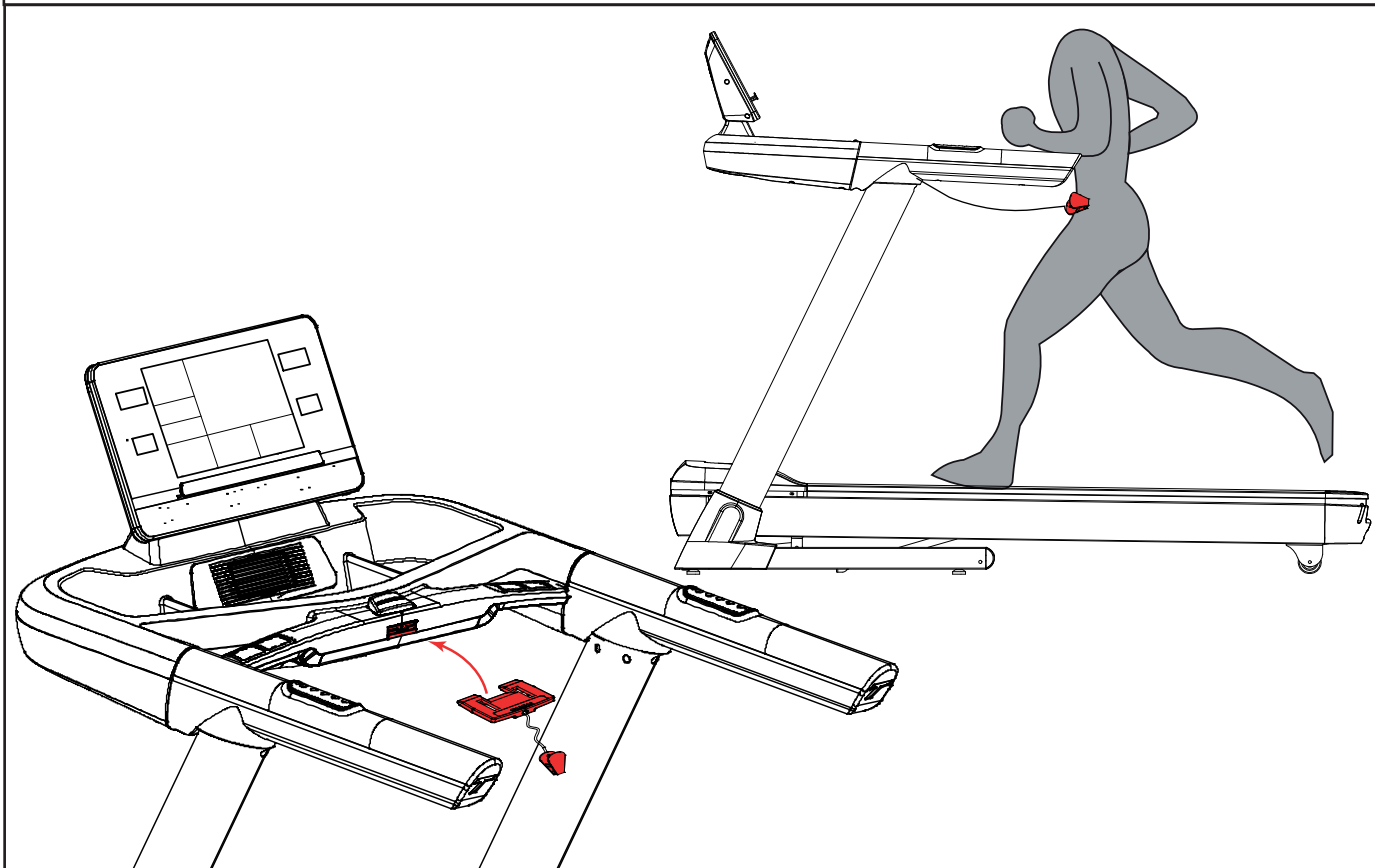
# F-2



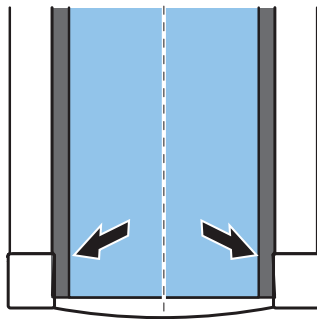
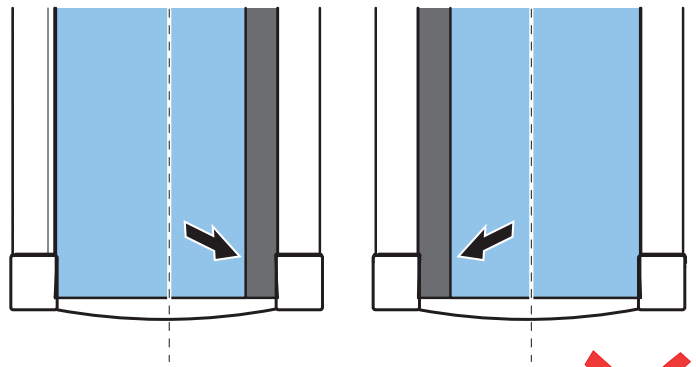
### F-3



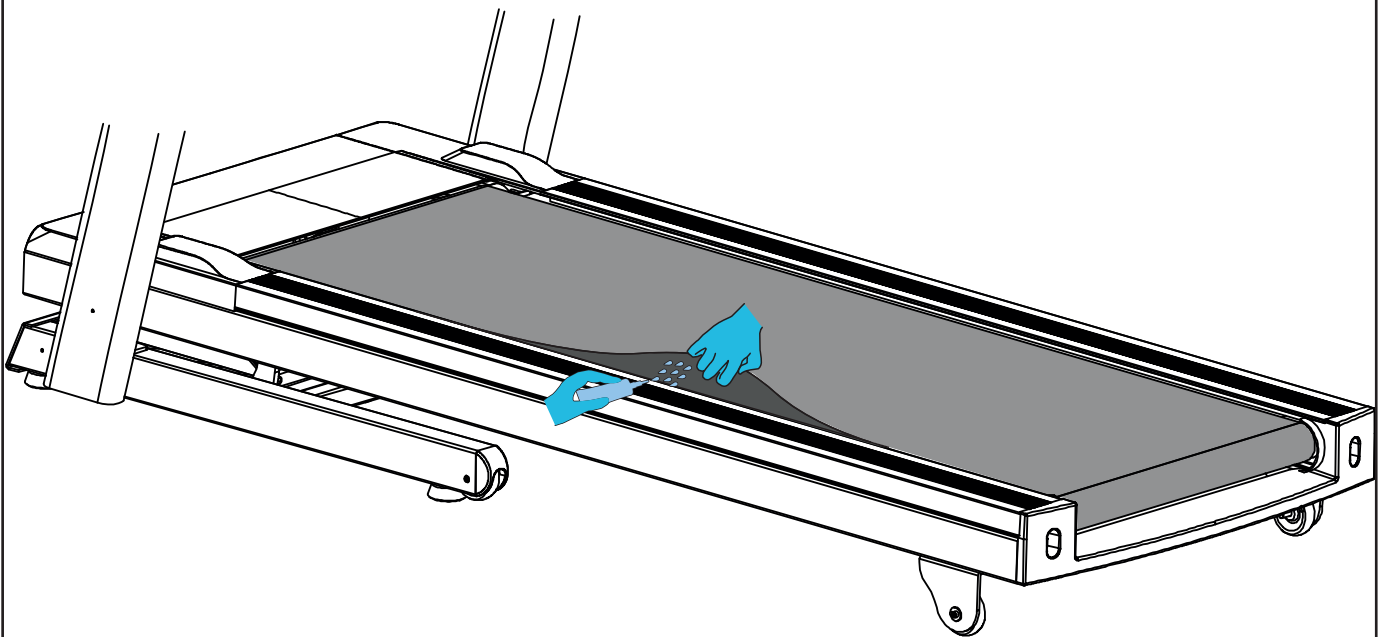
### F-4



# F-5



# F-6



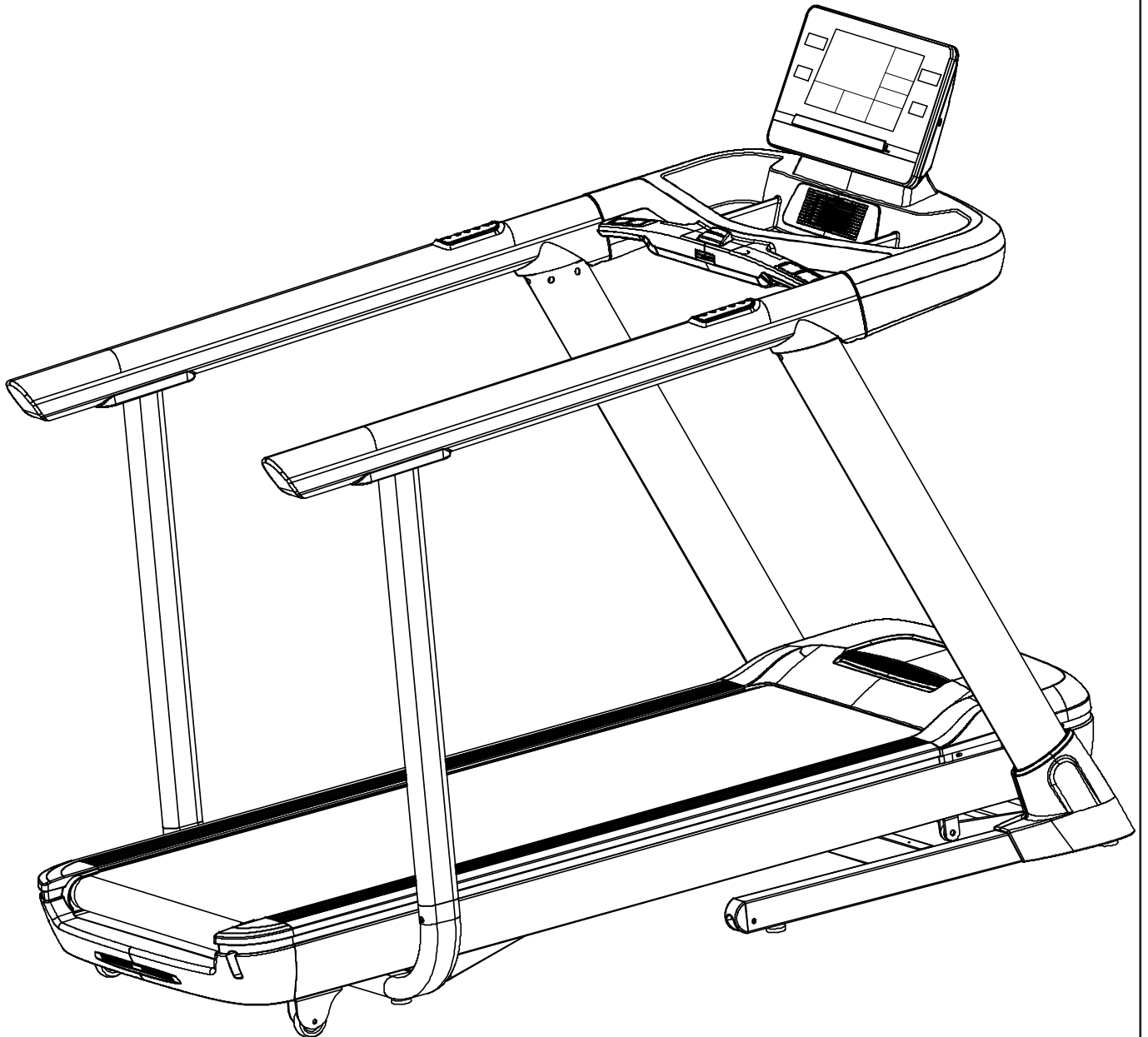
# G

| Step |       | 1   | 2    | 3    | 4    | 5    | 6    | 7    | 8    | 9    | 10   | 11   | 12   | 13   | 14   | 15   | 16   |     |
|------|-------|-----|------|------|------|------|------|------|------|------|------|------|------|------|------|------|------|-----|
| P1   | KM/H  | 1.0 | 3.0  | 3.0  | 7.0  | 7.0  | 5.0  | 5.0  | 5.0  | 7.0  | 7.0  | 5.0  | 5.0  | 5.0  | 5.0  | 3.0  | 2.0  |     |
|      | INCL. | 2   | 2    | 6    | 6    | 8    | 8    | 6    | 6    | 4    | 4    | 4    | 6    | 6    | 2    | 2    | 2    |     |
| P2   | KM/H  | 2.0 | 3.0  | 3.0  | 6.0  | 5.0  | 5.0  | 8.0  | 5.0  | 5.0  | 6.0  | 8.0  | 8.0  | 8.0  | 8.0  | 5.0  | 4.0  | 3.0 |
|      | INCL. | 3   | 3    | 9    | 9    | 9    | 2    | 2    | 8    | 8    | 4    | 1    | 1    | 4    | 4    | 4    | 4    |     |
| P3   | KM/H  | 2.0 | 3.0  | 5.0  | 5.0  | 7.0  | 7.0  | 8.0  | 5.0  | 5.0  | 6.0  | 8.0  | 8.0  | 8.0  | 5.0  | 4.0  | 3.0  |     |
|      | INCL. | 1   | 2    | 3    | 4    | 5    | 5    | 7    | 7    | 4    | 4    | 4    | 4    | 6    | 3    | 2    | 2    |     |
| P4   | KM/H  | 2.0 | 2.0  | 3.0  | 5.0  | 5.0  | 5.0  | 8.0  | 8.0  | 8.0  | 8.0  | 5.0  | 5.0  | 5.0  | 3.0  | 3.0  | 2.0  |     |
|      | INCL. | 3   | 3    | 6    | 6    | 6    | 9    | 9    | 9    | 9    | 9    | 9    | 6    | 6    | 6    | 2    | 2    |     |
| P5   | KM/H  | 3.0 | 4.0  | 5.0  | 6.0  | 7.0  | 8.0  | 9.0  | 10.0 | 10.0 | 10.0 | 9.0  | 8.0  | 7.0  | 5.0  | 4.0  | 3.0  |     |
|      | INCL. | 2   | 2    | 4    | 4    | 8    | 8    | 6    | 6    | 6    | 6    | 8    | 7    | 6    | 5    | 1    | 1    |     |
| P6   | KM/H  | 3.0 | 4.0  | 5.0  | 5.0  | 6.0  | 6.0  | 7.0  | 7.0  | 7.0  | 9.0  | 9.0  | 10.0 | 10.0 | 11.0 | 5.0  | 3.0  |     |
|      | INCL. | 1   | 8    | 8    | 8    | 8    | 8    | 7    | 7    | 7    | 7    | 7    | 5    | 5    | 3    | 3    | 1    |     |
| P7   | KM/H  | 3.0 | 4.0  | 9.0  | 4.0  | 11.0 | 4.0  | 10.0 | 4.0  | 9.0  | 4.0  | 8.0  | 4.0  | 11.0 | 5.0  | 3.0  | 2.0  |     |
|      | INCL. | 1   | 1    | 4    | 4    | 4    | 6    | 6    | 6    | 8    | 8    | 8    | 10   | 10   | 10   | 6    | 2    |     |
| P8   | KM/H  | 3.0 | 5.0  | 8.0  | 3.0  | 5.0  | 7.0  | 9.0  | 3.0  | 5.0  | 7.0  | 10.0 | 3.0  | 5.0  | 7.0  | 11.0 | 5.0  |     |
|      | INCL. | 3   | 3    | 8    | 8    | 3    | 3    | 7    | 7    | 3    | 3    | 6    | 6    | 3    | 3    | 5    | 5    |     |
| P9   | KM/H  | 3.0 | 7.0  | 9.0  | 4.0  | 7.0  | 10.0 | 4.0  | 7.0  | 11.0 | 5.0  | 7.0  | 12.0 | 4.0  | 7.0  | 12.0 | 6.0  |     |
|      | INCL. | 3   | 6    | 6    | 3    | 7    | 7    | 3    | 8    | 8    | 3    | 9    | 9    | 3    | 3    | 7    | 7    |     |
| P10  | KM/H  | 3.0 | 5.0  | 6.0  | 6.0  | 6.0  | 9.0  | 10.0 | 6.0  | 6.0  | 9.0  | 10.0 | 6.0  | 6.0  | 6.0  | 11.0 | 3.0  |     |
|      | INCL. | 2   | 7    | 7    | 7    | 5    | 5    | 5    | 8    | 8    | 8    | 8    | 8    | 8    | 4    | 4    | 4    |     |
| P11  | KM/H  | 4.0 | 5.0  | 7.0  | 9.0  | 10.0 | 11.0 | 9.0  | 6.0  | 8.0  | 9.0  | 10.0 | 10.0 | 11.0 | 9.0  | 6.0  | 5.0  |     |
|      | INCL. | 1   | 6    | 6    | 6    | 3    | 3    | 3    | 7    | 7    | 4    | 4    | 4    | 4    | 6    | 6    | 6    |     |
| P12  | KM/H  | 4.0 | 6.0  | 10.0 | 10.0 | 7.0  | 10.0 | 10.0 | 10.0 | 7.0  | 7.0  | 10.0 | 10.0 | 10.0 | 10.0 | 6.0  | 5.0  |     |
|      | INCL. | 3   | 8    | 8    | 6    | 9    | 9    | 5    | 5    | 8    | 8    | 8    | 4    | 4    | 4    | 4    | 4    |     |
| P13  | KM/H  | 4.0 | 12.0 | 4.0  | 12.0 | 4.0  | 12.0 | 4.0  | 12.0 | 4.0  | 12.0 | 4.0  | 12.0 | 4.0  | 12.0 | 4.0  | 12.0 |     |
|      | INCL. | 4   | 8    | 10   | 12   | 4    | 8    | 10   | 12   | 4    | 8    | 10   | 12   | 4    | 8    | 10   | 12   |     |
| P14  | KM/H  | 2.0 | 3.0  | 3.0  | 6.0  | 9.0  | 11.0 | 3.0  | 6.0  | 9.0  | 11.0 | 3.0  | 6.0  | 9.0  | 11.0 | 3.0  | 6.0  |     |
|      | INCL. | 5   | 9    | 11   | 12   | 5    | 9    | 11   | 12   | 5    | 9    | 11   | 12   | 5    | 9    | 11   | 12   |     |
| P15  | KM/H  | 4.0 | 6.0  | 11.0 | 11.0 | 9.0  | 6.0  | 11.0 | 11.0 | 9.0  | 6.0  | 11.0 | 11.0 | 9.0  | 6.0  | 11.0 | 11.0 |     |
|      | INCL. | 2   | 3    | 4    | 5    | 6    | 8    | 7    | 8    | 8    | 7    | 7    | 6    | 5    | 4    | 3    | 2    |     |
| P16  | KM/H  | 2.0 | 4.0  | 4.0  | 12.0 | 4.0  | 12.0 | 4.0  | 12.0 | 4.0  | 12.0 | 4.0  | 12.0 | 4.0  | 12.0 | 4.0  | 12.0 |     |
|      | INCL. | 2   | 4    | 5    | 6    | 2    | 4    | 5    | 6    | 2    | 4    | 5    | 6    | 2    | 4    | 5    | 6    |     |
| P17  | KM/H  | 2.0 | 2.0  | 2.0  | 4.0  | 6.0  | 6.0  | 9.0  | 11.0 | 11.0 | 2.0  | 4.0  | 6.0  | 6.0  | 11.0 | 11.0 | 9.0  |     |
|      | INCL. | 2   | 4    | 6    | 8    | 10   | 12   | 12   | 12   | 12   | 12   | 12   | 10   | 8    | 6    | 4    | 2    |     |
| P18  | KM/H  | 3.0 | 6.0  | 3.0  | 6.0  | 6.0  | 3.0  | 6.0  | 6.0  | 3.0  | 6.0  | 6.0  | 3.0  | 6.0  | 6.0  | 3.0  | 6.0  |     |
|      | INCL. | 2   | 6    | 8    | 2    | 6    | 8    | 2    | 6    | 8    | 2    | 6    | 8    | 2    | 6    | 8    | 2    |     |
| P19  | KM/H  | 4.0 | 12.0 | 4.0  | 12.0 | 4.0  | 12.0 | 4.0  | 12.0 | 4.0  | 12.0 | 4.0  | 12.0 | 4.0  | 12.0 | 4.0  | 12.0 |     |
|      | INCL. | 10  | 8    | 6    | 4    | 10   | 8    | 6    | 4    | 10   | 8    | 6    | 4    | 10   | 8    | 6    | 4    |     |

# G

|            |       |     |      |      |      |      |      |      |      |      |      |      |      |      |      |      |      |
|------------|-------|-----|------|------|------|------|------|------|------|------|------|------|------|------|------|------|------|
| <b>P20</b> | KM/H  | 5.0 | 13.0 | 5.0  | 13.0 | 5.0  | 13.0 | 5.0  | 13.0 | 5.0  | 13.0 | 5.0  | 13.0 | 5.0  | 13.0 | 5.0  | 13.0 |
|            | INCL. | 12  | 8    | 2    | 12   | 8    | 2    | 12   | 8    | 2    | 12   | 8    | 2    | 12   | 8    | 2    | 12   |
| <b>P21</b> | KM/H  | 2.0 | 6.0  | 2.0  | 6.0  | 11.0 | 2.0  | 6.0  | 11.0 | 2.0  | 6.0  | 11.0 | 2.0  | 6.0  | 11.0 | 2.0  | 6.0  |
|            | INCL. | 12  | 9    | 3    | 12   | 9    | 3    | 12   | 9    | 3    | 12   | 9    | 3    | 12   | 9    | 3    | 12   |
| <b>P22</b> | KM/H  | 4.0 | 6.0  | 11.0 | 6.0  | 2.0  | 11.0 | 6.0  | 2.0  | 11.0 | 6.0  | 2.0  | 11.0 | 6.0  | 2.0  | 11.0 | 6.0  |
|            | INCL. | 2   | 4    | 10   | 2    | 4    | 10   | 2    | 6    | 12   | 6    | 8    | 12   | 6    | 8    | 12   | 2    |
| <b>P23</b> | KM/H  | 4.0 | 6.0  | 11.0 | 6.0  | 6.0  | 2.0  | 11.0 | 6.0  | 6.0  | 2.0  | 11.0 | 6.0  | 6.0  | 2.0  | 11.0 | 6.0  |
|            | INCL. | 2   | 3    | 4    | 5    | 6    | 6    | 7    | 8    | 10   | 11   | 12   | 12   | 12   | 12   | 10   | 2    |
| <b>P24</b> | KM/H  | 4.0 | 6.0  | 11.0 | 6.0  | 4.0  | 11.0 | 6.0  | 4.0  | 11.0 | 6.0  | 4.0  | 11.0 | 6.0  | 4.0  | 11.0 | 6.0  |
|            | INCL. | 4   | 4    | 5    | 6    | 7    | 8    | 10   | 10   | 12   | 12   | 12   | 12   | 12   | 12   | 10   | 2    |
| <b>P25</b> | KM/H  | 5.0 | 13.0 | 5.0  | 13.0 | 5.0  | 13.0 | 5.0  | 13.0 | 5.0  | 13.0 | 5.0  | 13.0 | 5.0  | 13.0 | 5.0  | 13.0 |
|            | INCL. | 5   | 9    | 11   | 12   | 5    | 9    | 11   | 12   | 5    | 9    | 11   | 12   | 5    | 9    | 11   | 12   |
| <b>P26</b> | KM/H  | 3.0 | 4.0  | 4.0  | 7.0  | 10.0 | 12.0 | 4.0  | 7.0  | 10.0 | 12.0 | 4.0  | 7.0  | 10.0 | 12.0 | 4.0  | 7.0  |
|            | INCL. | 6   | 10   | 12   | 12   | 6    | 10   | 11   | 12   | 6    | 10   | 12   | 12   | 6    | 10   | 12   | 12   |
| <b>P27</b> | KM/H  | 5.0 | 7.0  | 12.0 | 12.0 | 10.0 | 7.0  | 12.0 | 12.0 | 10.0 | 7.0  | 12.0 | 12.0 | 10.0 | 7.0  | 12.0 | 12.0 |
|            | INCL. | 3   | 4    | 5    | 6    | 7    | 9    | 8    | 9    | 9    | 8    | 8    | 7    | 6    | 5    | 4    | 3    |
| <b>P28</b> | KM/H  | 3.0 | 5.0  | 5.0  | 13.0 | 5.0  | 13.0 | 5.0  | 13.0 | 5.0  | 13.0 | 5.0  | 13.0 | 5.0  | 13.0 | 5.0  | 13.0 |
|            | INCL. | 3   | 5    | 6    | 7    | 3    | 5    | 6    | 7    | 3    | 5    | 6    | 7    | 3    | 5    | 6    | 7    |
| <b>P29</b> | KM/H  | 3.0 | 3.0  | 3.0  | 5.0  | 7.0  | 7.0  | 10.0 | 12.0 | 12.0 | 3.0  | 5.0  | 7.0  | 7.0  | 12.0 | 12.0 | 10.0 |
|            | INCL. | 3   | 5    | 7    | 9    | 11   | 12   | 12   | 12   | 12   | 12   | 12   | 11   | 9    | 7    | 5    | 3    |
| <b>P30</b> | KM/H  | 4.0 | 7.0  | 4.0  | 7.0  | 7.0  | 4.0  | 7.0  | 7.0  | 4.0  | 7.0  | 7.0  | 4.0  | 7.0  | 7.0  | 4.0  | 7.0  |
|            | INCL. | 3   | 7    | 9    | 3    | 7    | 9    | 3    | 7    | 9    | 3    | 7    | 9    | 3    | 7    | 9    | 3    |
| <b>P31</b> | KM/H  | 5.0 | 13.0 | 5.0  | 13.0 | 5.0  | 13.0 | 5.0  | 13.0 | 5.0  | 13.0 | 5.0  | 13.0 | 5.0  | 13.0 | 5.0  | 13.0 |
|            | INCL. | 11  | 9    | 7    | 5    | 11   | 9    | 7    | 5    | 11   | 9    | 7    | 5    | 11   | 9    | 7    | 5    |
| <b>P32</b> | KM/H  | 6.0 | 14.0 | 6.0  | 14.0 | 6.0  | 14.0 | 6.0  | 14.0 | 6.0  | 14.0 | 6.0  | 14.0 | 6.0  | 14.0 | 6.0  | 14.0 |
|            | INCL. | 12  | 9    | 3    | 12   | 9    | 3    | 12   | 9    | 3    | 12   | 9    | 3    | 12   | 9    | 3    | 12   |
| <b>P33</b> | KM/H  | 3.0 | 7.0  | 3.0  | 7.0  | 12.0 | 3.0  | 7.0  | 12.0 | 3.0  | 7.0  | 12.0 | 7.0  | 7.0  | 12.0 | 3.0  | 7.0  |
|            | INCL. | 12  | 10   | 4    | 12   | 10   | 4    | 12   | 10   | 4    | 12   | 10   | 4    | 12   | 10   | 4    | 12   |
| <b>P34</b> | KM/H  | 5.0 | 7.0  | 12.0 | 7.0  | 3.0  | 12.0 | 7.0  | 3.0  | 12.0 | 7.0  | 3.0  | 12.0 | 7.0  | 3.0  | 12.0 | 7.0  |
|            | INCL. | 3   | 5    | 11   | 3    | 5    | 11   | 3    | 7    | 12   | 7    | 9    | 12   | 7    | 9    | 12   | 3    |
| <b>P35</b> | KM/H  | 5.0 | 7.0  | 12.0 | 7.0  | 7.0  | 3.0  | 12.0 | 7.0  | 7.0  | 3.0  | 12.0 | 7.0  | 7.0  | 3.0  | 12.0 | 7.0  |
|            | INCL. | 3   | 4    | 5    | 6    | 7    | 7    | 8    | 9    | 11   | 12   | 12   | 12   | 12   | 12   | 11   | 3    |
| <b>P36</b> | KM/H  | 5.0 | 7.0  | 12.0 | 7.0  | 5.0  | 12.0 | 7.0  | 5.0  | 12.0 | 7.0  | 5.0  | 12.0 | 7.0  | 5.0  | 12.0 | 7.0  |
|            | INCL. | 5   | 5    | 6    | 7    | 8    | 9    | 11   | 11   | 12   | 12   | 12   | 12   | 12   | 12   | 11   | 3    |

H





# Index

|  |           |
|--|-----------|
| <b>Treadmill</b> .....                       | <b>17</b> |
| <b>Safety warnings</b> .....                 | <b>17</b> |
| Electrical safety .....                      | 17        |
| <b>Assembly instructions</b> .....           | <b>18</b> |
| Description (fig. A) .....                   | 18        |
| Package contents (fig. B&C).....             | 18        |
| Assembly (fig. D) .....                      | 18        |
| Accessories (fig. H).....                    | 18        |
| <b>Workouts</b> .....                        | <b>18</b> |
| Exercise Instructions.....                   | 18        |
| Heart rate .....                             | 19        |
| <b>Use</b> .....                             | <b>19</b> |
| <b>Console (fig. E-1)</b> .....              | <b>20</b> |
| Buttons .....                                | 20        |
| Explanation of display items (Fig. H).....   | 20        |
| USB function.....                            | 21        |
| <b>Programs</b> .....                        | <b>21</b> |
| Quick start .....                            | 21        |
| Target countdown mode (P0).....              | 21        |
| End your workout.....                        | 21        |
| Pre-set Programs (P1~P36).....               | 21        |
| User programs (U01~U03).....                 | 21        |
| Body Fat.....                                | 22        |
| HRC Program .....                            | 22        |
| ERP Function .....                           | 22        |
| Bluetooth & APP .....                        | 22        |
| <b>Warranty</b> .....                        | <b>22</b> |
| <b>Cleaning and maintenance</b> .....        | <b>23</b> |
| Lubrication (fig. F-4) .....                 | 23        |
| <b>Troubleshooting</b> .....                 | <b>24</b> |
| Metric/ Imperial setting.....                | 24        |
| Error codes.....                             | 24        |
| <b>Transport and storage</b> .....           | <b>24</b> |
| Additional information .....                 | 24        |
| <b>Technical data</b> .....                  | <b>25</b> |
| <b>Declaration of the manufacturer</b> ..... | <b>25</b> |
| <b>Disclaimer</b> .....                      | <b>25</b> |

## Treadmill

Welcome to the world of Tunturi!  
Thank you for purchasing this piece of Tunturi equipment. Tunturi offers a wide range of home fitness equipment, including cross trainers, treadmills, exercise bikes and rowers. The Tunturi equipment is suitable for the entire family, no matter what fitness level. For more information, please visit our website [www.tunturi.com](http://www.tunturi.com)

### Important Safety Instructions

This Owner's Manual is an essential part of your training equipment: reading all instructions in this manual before you start using this appliance. The following precautions must always be followed:

## Safety warnings

### ⚠ WARNING

- Read the safety warnings and the instructions. Failure to follow the safety warnings and the instructions can cause personal injury or damage to the equipment. Keep the safety warnings and the instructions for future reference.

### ⚠ WARNING

- Heart rate monitoring systems may be inaccurate. Over exercise may result in serious injury or death. If you feel faint stop exercising immediately.

- The equipment is suitable for domestic and professional use only (e.g. hospitals, fire stations, hotels, schools etc.). Max. usage is limited to 6 hrs a day. The equipment is not suitable for full commercial use (e.g. large gyms).
- The use of this equipment by children or persons with a physical, sensory, mental or motorial disability, or lack of experience and knowledge can give cause to hazards. Persons responsible for their safety must give explicit instructions or supervise the use of the equipment.
- Before starting your workout, consult a physician to check your health.
- If you experience nausea, dizziness or other abnormal symptoms, immediately stop your workout and consult a physician.
- To avoid muscular pain and strain, start each workout by warming up and finish each workout by cooling down. Remember to stretch at the end of the workout.
- The equipment is suitable for indoor use only. The equipment is not suitable for outdoor use.
- Only use the equipment in environments with adequate ventilation. Do not use the equipment in draughty environments in order not to catch a cold.
- Only use the equipment in environments with ambient temperatures between 10 °C~35 °C. Only store the equipment in environments with ambient temperatures between 5 °C~45 °C.
- Do not use or store the equipment in humid surroundings. The air humidity must never be more than 80%.
- Only use the equipment for its intended purpose. Do not use the equipment for other purposes than described in the manual.
- Do not use the equipment if any part is damaged or defective. If a part is damaged or defective, contact your dealer.
- Keep your hands, feet and other body parts away from the moving parts.
- Keep your hair away from the moving parts.
- Wear appropriate clothing and shoes.
- Keep clothing, jewellery and other objects away from the moving parts.
- Make sure that only one person uses the equipment at a time. The equipment must not be used by persons weighing more than 150 kg (330 lbs).
- Do not open equipment without consulting your dealer.

## Electrical safety

(Only for equipment with electric power)

- Before use, always check that the mains voltage is the same as the voltage on the rating plate of the equipment.
- Do not use an extension cable.
- Keep the mains cable away from heat, oil and sharp edges.
- Do not alter or modify the mains cable or the mains plug.
- Do not use the equipment if the mains cable or the mains plug is damaged or defective. If the mains cable or the mains plug is damaged or defective, contact your dealer.
- Always fully unwind the mains cable.
- Do not run the mains cable underneath the equipment. Do not run the mains cable underneath a carpet. Do not place any objects on the mains cable.
- Make sure that the mains cable does not hang over the edge of a table.
- Make sure that the mains cable cannot be caught accidentally or tripped over.
- Do not leave the equipment unattended when the mains plug is inserted into the wall socket.
- Do not pull the mains cable to remove the mains plug from the wall socket.
- Remove the mains plug from the wall socket when the equipment is not in use, before assembly or disassembly and before cleaning and maintenance.

**⚠ CAUTION**

- If voltage varies by ten percent (10%) or more, the performance of your treadmill may be affected. Such conditions are not covered under your warranty. If you suspect the voltage is low, contact your local power company or a licensed electrician for proper testing.

**⚠ CAUTION**

- NEVER use a RCD - Residual Current Device (U.S. ver.= GFCI) - wall outlet with this treadmill. As with any appliance with a large motor, the RCD/GFCI will trip often. Route the power mains cord away from any moving part of the treadmill including the elevation mechanism and transport wheels.

**Grounding Instructions**

This product must be grounded. If the treadmill's electrical system should malfunction or breakdown grounding provides a path of least resistance for electric current, reducing the risk of electric shock. This product is equipped with a cord having an equipment-grounding plug. The plug must be plugged into an appropriate outlet that is properly installed and grounded in accordance with all local codes and ordinances.

**⚠ WARNING**

- Improper connection of the equipment-grounding conductor can result in a risk of electric shock. Check with a qualified electrician or serviceman if you are in doubt as to whether the product is properly grounded. Do not modify the plug provided with the product if it will not fit the outlet; have a proper outlet installed by a qualified electrician.

**Assembly instructions****Description (fig. A)**

Your treadmill is a piece of stationary fitness equipment used to simulate walking or running without causing excessive pressure to the joints.

**Package contents (fig. B&C)**

- The package contains the parts as shown in fig. B.
- The package contains the fasteners as shown in fig. C. Refer to the section "Description"

**🔧 NOTE**

- If a part is missing, contact your dealer.

**Assembly (fig. D)****⚠ WARNING**

- Assemble the equipment in the given order.
- Carry and move the equipment with at least two persons.

**⚠ CAUTION**

- Place the equipment on a firm, level surface.
- Place the equipment on a protective base to prevent damage to the floor surface.
- Allow at least 100 cm of clearance around the equipment.
- Refer to the illustrations for the correct assembly of the equipment.

**Accessories (fig. H)****🔧 NOTE**

- The shown illustration shows how the trainer will look with the suitable extended handrails.
- The additional extended handrails can be purchased as an accessory.
- Article nr: 19TRNRH000

Contact your dealer for further information.

**Workouts**

The workout must be suitably light, but of long duration. Aerobic exercise is based on improving the body's maximum oxygen uptake, which in turn improves endurance and fitness. You should perspire, but you should not get out of breath during the workout.

To reach and maintain a basic fitness level, exercise at least three times a week, 30 minutes at a time. Increase the number of exercise sessions to improve your fitness level. It is worthwhile to combine regular exercise with a healthy diet. A person committed to dieting should exercise daily, at first 30 minutes or less at a time, gradually increasing the daily workout time to one hour. Start your workout at low speed and low resistance to prevent the cardiovascular system from being subjected to excessive strain.

As the fitness level improves, speed and resistance can be increased gradually. The efficiency of your exercise can be measured by monitoring your heart rate and your pulse rate.

**Exercise Instructions**

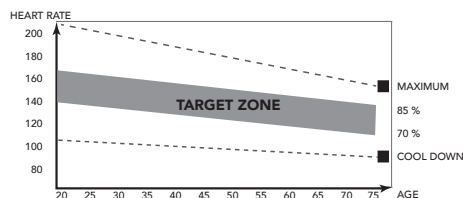
Using your fitness trainer will provide you with several benefits, it will improve your physical fitness, tone muscle and in conjunction with a calorie controlled diet help you lose weight.

**The warming up phase**

This stage helps get the blood flowing around the body and the muscles working properly. It will also reduce the risk of cramp and muscle injury. It is advisable to do a few stretching exercises as shown below. Each stretch should be held for approximately 30 seconds, do not force or jerk your muscles into a stretch - if it hurts, STOP

**The exercise phase**

This is the stage where you put the effort in. After regular use, the muscles in your legs will become more flexible. Work to your but it is very important to maintain a steady tempo throughout. The rate of work should be sufficient to raise your heart beat into the target zone shown on the graph below.



This stage should last for a minimum of 12 minutes though most people start at about 15-20 minutes

**The cool down phase**

This stage is to let your Cardiovascular System and muscles wind down. This is a repeat of the warm up exercise e.g. reduce your tempo, continue for approximately 5 minutes. The stretching exercises should now be repeated, again remembering not to force or jerk your muscles into the stretch.

As you get fitter you may need to train longer and harder. It is advisable to train at least three times a week, and if possible space your workouts evenly throughout the week.

## Muscle toning

To tone muscle while on your fitness trainer you will need to have the resistance set quite high. This will put more strain on our leg muscles and may mean you cannot train for as long as you would like. If you are also trying to improve your fitness you need to alter your training program. You should train as normal during the warm up and cool down phases, but towards the end of the exercise phase you should increase resistance making your legs work harder. You will have to reduce your speed to keep your heart rate in the target zone.

## Weight loss

The important factor here is the amount of effort you put in. The harder and longer you work the more calories you will burn. Effectively this is the same as if you were training to improve your fitness, the difference is the goal.

## Heart rate

### Pulse rate measurement (hand pulse sensors)

The pulse rate is measured by sensors in the handlebars when the user is touching both sensors at the same time. Accurate pulse measurement requires that the skin is slightly moist and constantly touching the hand pulse sensors. If the skin is too dry or too moist, the pulse rate measurement will become less accurate.

#### NOTE

- Do not use the hand pulse sensors in combination with a heart rate chest belt.
- If you set a heart rate limit for your workout, an alarm will sound when it is exceeded.

### Heart rate measurement (heart rate chest belt)

#### NOTE

- A chest strap does not come standard with this trainer. When you like to use a wireless chest strap you need to purchase this as an accessory.

The most accurate heart rate measurement is achieved with a heart rate chest belt. The heart rate is measured by a heart rate receiver in combination with a heart rate transmitter belt. Accurate heart measurement requires that the electrodes on the transmitter belt are slight moist and constantly touching the skin. If the electrodes are too dry or too moist, the heart rate measurement will become less accurate.

#### WARNING

- If you have a pacemaker, consult a physician before using a heartrate chest belt.

#### CAUTION

- If there are several heart rate measurement devices next to each other, make sure that the distance between them is at least 1.5 metres.
- If there is only one heart rate receiver and several heart rate transmitters, make sure that only one person with a transmitter is within transmission range.

#### NOTE

- Do not use a heart rate chest belt in combination with the handpulse sensors.
- Always wear the heart rate chest belt under your clothes directly in contact with your skin. Do not wear the heart rate chest belt above your clothes. If you wear the heart rate chest belt above your clothes, there will be no signal.
- If you set a heart rate limit for your workout, an alarm will sound when it is exceeded.
- The transmitter transmits the heart rate to the console up to a distance of 1 metre. If the electrodes are not moist, the heart rate will not appear on the display.
- Some fibers in clothes (e.g. polyester, polyamide) create static electricity which can prevent accurate heart rate measurement.

- Mobile phones, televisions and other electrical appliances create an electromagnetic field which can prevent accurate heart rate measurement.

### Maximum heart rate (during training)

The maximum heart rate is the highest heart rate a person can safely achieve through exercise stress. The following formula is used to calculate the average maximum heart rate:  $220 - AGE$ . The maximum heart rate varies from person to person.

#### WARNING

- Make sure that you do not exceed your maximum heart rate during your workout. If you belong to a risk group, consult a physician.

### Beginner

#### 50-60% of maximum heart rate

Suitable for beginners, weight-watchers, convalescents and persons who have not exercised for a long time. Exercise at least three times a week, 30 minutes at a time.

### Advanced

#### 60-70% of maximum heart rate

Suitable for persons who want to improve and maintain fitness. Exercise at least three times a week, 30 minutes at a time.

### Expert

#### 70-80% of maximum heart rate

Suitable for the fittest of persons who are used to long-endurance workouts.

## Use

### Master power switch (fig. E-2A)

The equipment is equipped with a master power switch to shut down the equipment completely.

#### To start the equipment:

- Insert the mains plug into the equipment.
- Insert the mains plug into the wall socket.
- Set the master power switch to the on position.

#### To stop the equipment:

- Set the mains power switch to the off position.
- Remove the mains plug from the wall socket.
- Remove the mains plug from the equipment.

### Safety key (Fig F-4)

The equipment is equipped with a safety key that must be properly inserted into the console to start the equipment. If you remove the safety key from the console, the equipment will stop immediately.

- Insert the safety key into the slot in the console.
- Make sure that the clip of the safety key is properly attached to your clothing.

Make sure that the clip is not removed from your clothing before the safety key is removed from the console.

#### NOTE

- Console will show E7 code when safety key is not in (correct) position during start up.

### Circuit breaker (Fig. E-2B)

The equipment is equipped with a circuit breaker that interrupts the circuit when the electricity load is above the maximum capacity. When this occurs, the circuit breaker must be pressed.

#### WARNING

- Before pressing the circuit breaker, remove the mains plug from the equipment.

If the equipment shuts down, proceed as follows to restart the equipment:

- Remove the mains plug from the equipment.
- Press the circuit breaker to restart the equipment.
- Insert the mains plug into the equipment.

#### NOTE

- Some circuit breakers used in homes are not rated for high inrush currents that can occur when a treadmill is first turned on or even during normal use. If your treadmill is tripping the circuit breaker (even though it is the proper current rating and the treadmill is the only appliance on the circuit) but the circuit breaker on the treadmill itself does not trip, you will need to replace the breaker with a high inrush type. This is not a warranty defect. This is a condition we as a manufacture have no ability to control.

#### **Unfolding and folding the equipment (fig. F1-F2)**

The equipment can be unfolded for use (fig. F1) and folded for transport and storage (fig. F2).

Refer to the illustrations for the correct way of unfolding and folding the equipment.

#### CAUTION

- Before folding the equipment, make sure that the incline is 0. If the incline is not 0, folding will damage the mechanism.

#### **Adjusting the support feet**

The equipment is equipped with 4 support feet. If the equipment is not stable, the support feet can be adjusted.

- Turn the support feet as required to put the equipment in a stable position.
- Tighten the locknuts to lock the support feet.

#### NOTE

- The machine is the most stable when all support feet are turned fully in. Therefore start to level the machine by turning all support feet fully in, before turning out the required support feet to stable the machine.

## **Console (fig. E-1)**

#### CAUTION

- Keep the console away from direct sunlight.
- Dry the surface of the console when it is covered with drops of sweat.
- Do not lean on the console.
- Only touch the display with the tip of your finger. Make sure that your nails or sharp objects do not touch the display.

#### NOTE

- The console switches to standby mode when the equipment is not used for 4 minutes.

### **Buttons**

#### **Stop/ Reset**

- Press once, stop workout/ treadmill gently.
- Press twice, stop workout/ treadmill more rapidly.
- Reset console when press and hold for 2 seconds in "stop mode"

#### **Start/ Pause**

- Start selected workout, or restart pause workout when being in pause mode.
- Pause active workout.

#### **Prog**

- Press to Cycle through the possible programmes. (P0/ P1~P36/ U01~U03/ HRC1~HRC3/ FAT)

#### **Mode**

- Cycle between target setting parameters in programming mode.
- Reset time target when setting time goal for "P1~P36" programs.

#### **Speed +**

- Increases the speed (0.8 ~ 22.0 km/h).
- Pressing once increases the speed 0.1 km/h.
- Pressing and holding for two seconds will increase the speed faster.
- Scroll programs and change values in programming mode.

#### **Speed -**

- Decreases the speed (0.8 ~ 22.0 km/h).
- Pressing once decreases the speed 0.1 km/h.
- Pressing and holding for two seconds will decrease the speed faster.
- Scroll programs and change values in programming mode.

#### **Speed hot keys:**

Speed Hot Keys are set as 6, 9, 12.

For example, the speed changes from any speed to 9 km/h by pressing the Speed Hot Key 9.

#### **Handle bar speed quick-access keys:**

- + Same as Speed +.
- - Same as Speed -.

#### **Incline +**

- Increases the incline (0 ~ 15 +1).
- Scroll programs and change values in programming mode.

#### **Incline -**

- Decreases the incline (0 ~ 15 -1)
- Scroll programs and change values in programming mode.

#### **Incline hot keys.**

Incline Hot Keys are set as 0, 5, 10.

For example, the incline level changes from any level to 5 by pressing the Incline Hot Key 5.

#### **Handle bar incline quick-access keys:**

- + : Same as Incline +.
- - : Same as Incline -.

## **Explanation of display items (Fig. H)**

#### **Speed**

- Shows the actual treadmill speed in workout mode.
- Shows target speed in programming mode.
- Shows program selection when being in program mode.

#### **Incline**

- Shows the actual treadmill incline in workout mode.
- Shows target incline in programming mode.

#### **Distance**

- Shows the ran distance workout mode.
- Shows left distance when workout in countdown mode.
- Shows the target distance when being in programming mode.

#### **Time**

- Shows the ran time in workout mode.
- Shows left time when workout in countdown mode.
- Shows the target time when being in programming mode.

#### **Steps**

Console is able to count the amount of steps during your workout, when keeping your speed higher than 3.0 km/h and user weight is at least 40 kg.

#### **Heart**

- Shows the pulse rate in workout mode, or "P" when no pulse is measured.

## Calories

- Shows the consumed K .calories in workout mode.
- Shows left K. calories when workout in countdown mode.
- Shows the target K. calories when being in programming mode.

### NOTE

- This data is a rough guide for comparison of different exercise sessions which cannot be used in medical treatment.

### NOTE

- Display for Time/ Step, Heart/ Incline & Calories/ Distance scans every 5 seconds.

## USB function

The user can connect their device to charge during workout.  
Voltage/ Current: 5VDC/ 1.0 Amp

## Programs

### Quick start

- Press "Start/ Pause" button to start your workout without any pre-set settings.
- Treadmill will start at minimum speed of 0.8 Km/h, and maintains the current set incline setting.
- Adjust Speed / Incline manually at any time to change your workout, and stop/ pause at anytime.

### Target countdown mode (P0)

Machine should be in start up mode to access the Target Countdown mode.

Press and hold "Stop/ Reset" button for 2 seconds to set treadmill in start up mode.

- Press "Mode" button to select target countdown mode:
  - Training mode 1: Time target.  
Use "Speed/ Incline + & -" keys to adjust value. Default 30:00 min. Range 5:00~95:00 ± 1:00.
  - Training mode 2: Distance target.  
Use "Speed/ Incline + & -" keys to adjust value. Default 1.00 km. Range 1.00~99.00 ± 1.0.
  - Training mode 3: Calories countdown.  
Use "Speed/ Incline + & -" keys to adjust value. Default 50. Range 20~9990 ± 10.
- Press "Start/ Pause" button to start your workout directly when setting your desired target.

### NOTE

- When set a target, the treadmill will stop automatically when pre-set target is reached.
- It is only possible to set one target.

### End your workout

- Pause your workout at any time by press "Start/ Pause" button once.  
Display will show "PAUS" when being in pause mode. Max pause time is 4.30 min.
- Press "Start/ Pause" button to resume training when being in "PAUS" mode.
- Press "STOP" once button to stop workout.
- Press "STOP" twice to reset console.

## Pre-set Programs (P1~P36)

The equipment has 36 pre-set programs with different profiles. (Table fig. G.)

- Press "Prog" buttons to select "P1~P36" program, press "Mode" button to confirm.
- Set your desired workout time  
Use "Speed/ Incline + & -" keys to adjust value. Default 30:00 min. Range 5:00~95:00 ± 1:00.
- Press "Start/ Pause" button to start your workout.

### NOTE

- The speed and incline are controlled based on the selected program.
- An acoustic beep will notify the user that there will a speed and/ or incline adjustment within a few seconds.
- The duration of each segment is 1/16th of the set workout time.
- Speed and incline can be changed at all times, but will only affect the active profile segment. The program will follow the profile again when changes to the next profile segment.

## User programs (U01~U03)

The equipment has 3 user programs.

Each user program can be adjusted to personal requirements. Each user program has 10 steps. The speed and the incline can be set for each step. Each steps takes 1/16th of the total amount of time.

- Press "Prog" buttons to select "U-1~U-3" program.
- Set your desired workout time  
Use "Speed/ Incline + & -" keys to adjust value. Default 30:00 min. Range 5:00~95:00 ± 1:00.
- Press "Start/ Pause" button to start your workout.

### Profile programming mode.

- Press "Prog" button and select U-1/ U-2 or U-3.
- Press "Mode" button to open programming mode for speed first profile segment.  
Set your desired speed values for the first segment of the program by using the "Speed + & -" keys and confirm the setting with "Mode"button.
- Programming mode for speed segment 2 opens.  
Program all speed segments as done for segment 1.
- Programming mode for incline will open,  
Set your desired incline values for the first segment of the program by using the "Incline + & -" keys and confirm the setting with "Mode"button.
- Programming mode for incline segment 2 opens.  
Program all incline segments as done for segment 1.
- When confirming the 16th segment, the time window will blink to set the desired training time.
- Press and hold "Mode" button for 3 seconds to store your programmed profile.
- Set your desired workout time  
Use "Speed/ Incline + & -" keys to adjust value. Default 30:00 min. Range 5:00~95:00 ± 1:00.
- Press the "Start/ Pause" button to start the program.

### NOTE

- Programmed user program will be saved automatically so they can be used next time.

## Body Fat

The Body Fat program is to indicate your fiscal state based on your body parameters and heart rate.

- Press "Mode" button to open programming mode.
- Press "Prog" buttons to select "FAT" program, press "Mode" button to confirm.
- The display shows "F1" (SEX) . The display shows "1" Press "Speed/ Incline + & -" buttons to select: 1: Male/ 2: Female press "Mode" button to confirm.
- The display shows "F2" (Age) . The display shows "25" Press "Up/ Down" buttons to select:1~99 press "Mode" button to confirm.
- The display shows "F3" (Height) . The display shows "170"cm Press "Up/ Down" buttons to select:100~220 cm press "Mode" button to confirm.
- The display shows "F4" (Weight) . The display shows "70"kg Press "Up/ Down" buttons to select: 20~150 kg press "Mode" button to confirm.
- The display shows "F5" (Active) Hold the hand grip pulse measurement pads to activate the "FAT" measurement. In about 5~10 seconds the result will be shown. See "Result calculation".

### ⚠ CAUTION

- Holding the contact hand-grip heart rate measurement pads is required for this function.

### Result calculation:

- BODY TYPE: ( Body Fat ratio; 9 types)
  - FAT 0 ~17 Underweight
  - FAT 18 ~ 24 Standard
  - FAT 28 ~ 28 Overweight
  - FAT 29 ~ Up Obesity.
- BF = Body Fat ( in ratio % )
- Error code "ER" will show if no heart rate was detected during the BF measurement process.
- Press "Stop/ Reset" button to leave Body Fat program.

## HRC Program

The HRC program is a speed controlled program based on your heart rate. The speed will automatically increase when your heart rate is under target, and decrease when over target.

- Press "Prog" buttons to select "HRC"
  - HRC1: Pre-set maximum. Speed limit is 8 km/h.
  - HRC2: Pre-set maximum. Speed limit is 12 km/h.
  - HRC3: Pre-set maximum. Speed limit is 22.0 km/h.
- program, press "Mode" button to confirm.
- Set your age the display shows "25" Press "Up/ Down" buttons to select:1~99 press "Mode" button to confirm.
- Target heartrate will be show, based on your set age. Target heart rate =  $(220 - \text{age}) \times 0,6$ . Press "Up/ Down" buttons to change target value 60~200 press "Mode" button to confirm.
- Set your workout time the display shows "30:00" Press "Up/ Down" buttons to select: 5:00~99:00 press "Mode" button to confirm.
- Press the "Start/ Pause" button to start the program.

### HRC operating function:

- HRC programs starts with a one minute warm up time. ( speed will not auto adjust )
- The initial speed is 1.0 km/h, this can be adjust to a comfortable warm up speed manually.
- Console checks heart rate every 30 seconds and controls the speed as below

| Heart rate | parameter    | speed adjust |
|------------|--------------|--------------|
| 29+ BPM    | Under target | + 2.0 Km/h   |
| 6~29 BPM   | Under target | + 1.0 Km/h   |
| 0~5 BPM    | Under target | No adjust    |
| 0~5 BPM    | Over target  | No adjust    |
| 6~29 BPM   | Over target  | - 1.0 Km/h   |
| 29+ BPM    | Over target  | - 2.0 Km/h   |

### ⚠ NOTE

- Incline setting is not controlled in HRC program mode but can be controlled by user at any time to intensify or ease your workout.
- Speed can be changed by user at all times.
- When speed is over the pre set speed limit it will auto adjust to pre set speed setting automatically.
- If no heart rate is detected, the treadmill will stop workout.

### ⚠ CAUTION

- Heart rate measurement is required for this function.

## ERP Function

ERP function can shut your treadmill in sleep mode automatically when being without operation for 4:30 minutes.

You can turn this function On and off by:

- When treadmill is in "start up mode" press and hold "Mode" button for 3 seconds to switch between On and Off mode.
  - Display shows "1111" indicates On mode. Machine will turn to sleep mode after 4:30 minutes being idle.
  - Display shows "2222" indicates Off mode. Machine will not turn into sleep mode after 4:30 minutes being idle.

### ⚠ CAUTION

- We recommend to set ERP function in On mode always.

## Bluetooth & APP

- This console can connect with an APP on a smart device by Bluetooth (iOS & Android).
- Establish the Bluetooth connection only via the connection mode on the installed APP on your smart device.

### ⚠ NOTE

- Tunturi only provides the option to connect your fitness console throughout a blue tooth connection. Therefore Tunturi cannot be held responsible for damage, or malfunctioning of products other than Tunturi products.
- Check the website for extra information.

## Warranty

### Warranty terms

The consumer is entitled to the applicable legal rights stated in the national legislation concerning the commerce of consumer goods. This warranty does not restrict these rights. The Purchaser's Warranty is only valid if the item is used in an environment approved by Tunturi New Fitness BV for that particular equipment. The product-specific approved environment is stated in the Owner's Manual provided with your equipment.

### Warranty conditions

The warranty conditions commence from the date of purchase. Warranty conditions may vary per country, so please consult your local dealer for the warranty conditions.



### Warranty coverage

Under no circumstances shall Tunturi New Fitness BV or the Tunturi Distributor be liable by virtue of this warranty or otherwise for any special, indirect, secondary or consequential damages of any nature arising out of any use or inability to use this equipment.

### Warranty limitations

This warranty covers manufacturing defects in the fitness equipment as originally packed by Tunturi New Fitness BV. The warranty shall apply only under conditions of normal, recommended use of the product as described in the Owner's Manual and providing that Tunturi New Fitness BV's instructions for installation, maintenance and use have been complied with. Neither Tunturi New Fitness BV's nor the Tunturi Distributors' obligations apply to defects due to reasons beyond their control. The warranty applies only to the original purchaser and is valid only in countries where Tunturi New Fitness BV has an authorised importer. The warranty does not extend to fitness equipment or components that have been modified without the consent of Tunturi New Fitness BV. Defects resulting from normal wear, misuse, abuse, corrosion, or damage incurred during loading or transportation are not covered.

The warranty does not cover sounds or noises emitted during use where these do not substantially impede the use of the equipment and where they are not caused by a fault in the equipment.

The warranty does not cover defects arising from the failure to carry periodic maintenance as outlined within the Owner's Manual for the product. Furthermore, the warranty does not cover defects arising from usage and storage within an unsuitable environment as described within the Owner's Manual which should be indoors, dry, dust and grit free and within a temperature range of +15°C to +35°C. The warranty does not cover maintenance activities, such as cleaning, lubricating, and normal part adjustments, nor installation

procedures that customers can accomplish themselves, such as changing uncomplicated meters, pedals and other similar parts not requiring any dismantling/reassembling of the fitness equipment. Warranty repairs carried out by other than authorised Tunturi representatives are not covered. Failure to follow the instructions given in the Owner's Manual will invalidate the product's warranty.

## Cleaning and maintenance

### ⚠ WARNING

- Before cleaning and maintenance, remove the mains plug from the wall socket.
- Do not use solvents to clean the equipment.

- Do not block the ventilation openings. Keep the ventilation openings clear from dust, dirt and other obstructions.
- Clean the equipment with a soft, absorbent cloth after each use.
- Clean the visible parts of the equipment with a vacuum cleaner with a small suction nozzle
- Regularly check that all screws and nuts are tight.

### Belt and Running Deck

Your treadmill uses a very high-efficient low-friction bed. Performance is maximized when the running deck is kept as clean as possible. Use a soft, damp cloth or paper towel to wipe the edge of the belt and the area between the belt edge and frame. Also reach as far as practical directly under the belt edge. This should be done once a month to extend belt and running deck life. Use water only - no cleaners or abrasives. A mild soap and water solution along with a nylon scrub brush will clean the top of the textured belt. Allow the belt to dry before using.

### Lubrication (fig. F-4)

The running belt must be checked for lubrication condition regularly. Therefore the treadmill comes with a 300 hours reminder function. The "TIME WINDOW" will display "OIL" and will make an acoustic beeping sound every 10 seconds to remind you. Follow the below checking procedure and eliminate the "OIL" message and acoustic warning signal by pressing and hold the "STOP" button for at least 3 seconds during this warning signal.

### ⚠ WARNING

- Before lubrication, remove the mains plug from the wall socket.

### ⚠ CAUTION

- We recommend to check the running belt lubrication at least once every month, as more factors than time can be effective to the lubricant conditions.
- Only lubricate the running belt if necessary. If you apply too much lubricant, the running belt will slip easily due to lack of friction.

- Stand steadily on the running belt.
- Take hold of the front handlebar and push the running belt with your feet so that it slides back and forth. The running belt must move smoothly and evenly without making sound.
- If the running belt does not move smoothly and evenly or if the running belt does not move at all, touch the underside of the running belt with your fingertips to check the lubrication:
  - If you feel lubrication or your fingertips are shiny, there is sufficient lubrication on the running belt.
  - If you do not feel lubrication or your fingertips are dusty or rough, apply lubricant (15-20 ml) in the middle of the running deck under the running belt and let the equipment operate at 5km/h for at least 5 minutes.
  - After lubrication, do not fold the equipment before having done a workout for 20 minutes with a speed of at least 5 km/h. The lubricant will be spread evenly over the running belt.

### Belt Dust

This occurs during normal break-in or until the belt stabilizes. Wiping excess off with a damp cloth will minimize build-up.

### General Cleaning

Dirt, dust, and pet hair can block air inlets and accumulate on the running belt. On a monthly basis: vacuum underneath your treadmill to prevent buildup. Twice a year, you should remove the black motor hood and vacuum out dirt that may accumulate.

UNPLUG POWER CORD BEFORE THIS TASK.

### Belt adjustments

Adjustment must be made from the rear roller. The adjustment bolts are located at the end of the step rails in the end caps.

- Tighten the rear roller bolts (clockwise) only enough to prevent slippage at the front roller. Turn both running belt tension adjustment bolts in increments of 1/4 turn each and inspect for proper tension by walking on the belt at a low speed, making sure the belt does not slip. Keep tensioning the bolts until the belt stops slipping.
- If you feel the belt is tight enough, but it still slips, the problem may be a loose Motor drive belt under the front cover.
- Do Not Over-tighten
  - Over tightening will cause belt damage and premature bearing failure.

### Running belt tracking adjustment

The performance of your treadmill is dependent on the frame running on a reasonably level surface. If the frame is not level, the front and back roller cannot run parallel, and constant belt adjustment may be necessary.

The treadmill is designed to keep the running belt reasonably centered while in use. It is normal for some belts to drift near one side while the belt is running with no one on it. After a few minutes of use, the running belt should have a tendency to center itself. If, during use, the belt continues to move toward one side, adjustments are necessary.

#### EXCEPTION:

During rehabilitation where the user is using one leg much stronger than the other, it might happen that the running belt drifts to one side. In these cases you should not adjust unless the running belt does not centre itself during normal condition usage.

#### To set running belt tracking (fig. F-5)

A 10 mm Allen wrench is provided to adjust the rear roller. Make tracking adjustments from the left side only. Set belt speed at approximately 3 to 5 kph.

Remember, a small adjustment can make a dramatic difference!

Turn the bolt clockwise to move the belt to the right. Counterclockwise to move to the left. Turn the bolt only a 1/4 turn and wait a few minutes for the belt to adjust itself. Continue to make 1/4 rotation turns until the belt stabilizes in the center of the running deck.

The belt may require periodic tracking adjustment depending on use and walking/running characteristics. Some users will affect tracking differently. Expect to make adjustments as required to center the tread-belt. Adjustments will become less of a maintenance concern as the belt is used. Proper belt tracking is an owner responsibility common with all treadmills.

#### NOTE

- Damage to the running belt because of incorrect running-belt adjustments is not covered by the products warranty.

## Troubleshooting

Despite continuous quality control, defects and malfunctions caused by individual components may occur in the equipment. In most cases it's unnecessary to take the whole device in for repair, as it's usually sufficient to replace the defective part.

If the equipment does not function properly during use, contact your Tunturi dealer immediately. Always give the model and serial number of your equipment. Please state also the nature of the problem, conditions of use and purchase date.

If you require spare parts, always give the model, serial number of your equipment and the spare part number for the part you need. The spare part list is at the back of this manual. Use only spare parts mentioned in the spare part list.

### Metric/ Imperial setting

When displayed speed is not matching your expectation the machine might be set in incorrect setting.

|           |                        |
|-----------|------------------------|
| Metric:   | Min./ Max. speed/:     |
|           | 0.8 Km/h/ 22.0 km/h.   |
| Imperial: | Min./ Max. speed/:     |
|           | 0.5 Mls/h/ 13.7 Mls/h. |

#### Switch units by:

Take off safety key. ( Console show E7)  
Press and hold "Prog" & "Mode" button for 3 seconds.

Console shows shortly:

- 0.5 When switched to Imperial mode.
- 0.8 When switched to Metric mode.

Put Safety key back in position.

## Error codes

If the display shows an error code (marked with "E" + number), restart the equipment and check whether the display still shows the error code. If the display still shows the error code, immediately contact the dealer.

#### NOTE

- E7 is not an error code, see "Safety key"

## Transport and storage

#### WARNING

- Before cleaning and maintenance, remove the mains plug from the wall socket.
- Carry and move the equipment with at least two persons.
- Make sure that there are no other persons or objects under the equipment.
- When folding the equipment, make sure that you hear the equipment lock into position to prevent the equipment from dropping back down.

#### CAUTION

- Before folding the equipment, make sure that the incline is 0%. If the incline is not 0%, folding will damage the mechanism.

- Move the equipment as shown (fig. F3). Move the equipment and carefully put the equipment down. Place the equipment on a protective base to prevent damage to the floor surface. Move the equipment carefully over uneven surfaces. Do not move the equipment upstairs using the wheels, but carry the equipment by the handlebars.
- Store the equipment in the upright position (fig. F1). Store the equipment in a dry place with as little temperature variation as possible.

## Additional information

### Packaging disposal

Government guidelines ask that we reduce the amount of waste material disposed of in land fill sites. We therefore ask that you dispose of all packaging waste responsibly at public recycling centres.

### End of life disposal

We at Tunturi hope you enjoy many years of enjoyable use from your fitness trainer. However, a time will come when your fitness trainer will come to the end of its useful life. Under 'European WEEE Legislation you are responsible for the appropriate disposal of your fitness trainer to a recognised public collection facility.



## Technical data

| Parameter        | Unit of measurement | Value            |
|------------------|---------------------|------------------|
| Mains voltage    | VAC                 | 210 ~ 240        |
| Mains frequency  | HZ                  | 50 ~ 60          |
| Motor            | HP                  | 2.5<br>5.5 Max.  |
| Speed            | Km/H                | 0.8 ~ 22.0       |
| Speed            | Mph                 | 0.5 ~ 13.7       |
| Incline          | Step                | 0 ~ 15           |
| Length (folded)  | Cm                  | 193.0<br>(137.0) |
| Length (folded)  | Inch                | 76.0<br>(53.9)   |
| Width            | Cm                  | 82.5             |
| Width            | Inch                | 32.5             |
| Height (folded)  | Cm                  | 149.0<br>(155.0) |
| Height (folded)  | Inch                | 58.7<br>(61.0)   |
| Weight           | Kg                  | 117.0            |
| Weight           | Lbs                 | 257.9            |
| Max. user weight | Kb                  | 150              |
| Max. user weight | Lbs                 | 330              |
| HR. receiver     | KhZ                 | 5.3 Khz          |

## Declaration of the manufacturer

Tunturi New Fitness BV declares that the product is in conformity with the following standards and directives: EN 957 (HA), 89/336/EEC. The product therefore carries the CE label.

12-2019

Tunturi New Fitness BV  
Purmerweg 1  
1311 XE Almere  
The Netherlands

## Disclaimer

© 2019 Tunturi New Fitness BV  
All rights reserved.

The product and the manual are subject to change. Specifications can be changed without further notice.

## Deutsch

Diese deutsche Bedienungsanleitung ist eine Übersetzung des englischen Textes. Es können keine Rechte auf diese Übersetzung abgeleitet werden.

## Index

|  |           |
|--|-----------|
| <b>Laufband</b> .....                        | <b>26</b> |
| <b>Warnhinweise zur Sicherheit</b> .....     | <b>26</b> |
| Elektrische Sicherheit .....                 | 26        |
| <b>Montageanleitungen</b> .....              | <b>27</b> |
| Beschreibung (Abb. A) .....                  | 27        |
| Verpackungsinhalt (Abb. B&C) .....           | 27        |
| Zusammenbau (Abb. D) .....                   | 27        |
| Zubehör (Abb. H) .....                       | 27        |
| <b>Trainings</b> .....                       | <b>27</b> |
| Trainingsanleitung .....                     | 27        |
| Herzfrequenz .....                           | 28        |
| <b>Gebrauch</b> .....                        | <b>28</b> |
| <b>Konsole (Abb. E-1)</b> .....              | <b>29</b> |
| Tasten .....                                 | 29        |
| Erklärung der Anzeigeelemente (Abb. H) ..... | 30        |
| USB Funktion .....                           | 30        |
| <b>Programme</b> .....                       | <b>30</b> |
| Schnellstart .....                           | 30        |
| Ziel-Countdown-Modus (P0) .....              | 30        |
| Training beenden .....                       | 30        |
| Voreingestellte Programme (P1~P36) .....     | 30        |
| Benutzerprogramme (U01~U03) .....            | 31        |
| Körperfett .....                             | 31        |
| HRC-Programm .....                           | 31        |
| ERP-Funktion .....                           | 32        |
| Bluetooth & APP .....                        | 32        |
| <b>Garantie</b> .....                        | <b>32</b> |
| <b>Reinigung und Wartung</b> .....           | <b>32</b> |
| Schmierung (Abb. F-4) .....                  | 33        |
| <b>Betriebsstörungen</b> .....               | <b>33</b> |
| Metrische/angelsächsische Einstellung .....  | 34        |
| Fehlercodes .....                            | 34        |
| <b>Transport und Lagerung</b> .....          | <b>34</b> |
| Zusätzliche Informationen .....              | 34        |
| <b>Technische Daten</b> .....                | <b>34</b> |
| <b>Herstellererklärung</b> .....             | <b>34</b> |
| <b>Haftungsausschluss</b> .....              | <b>34</b> |

## Laufband

Willkommen in der Welt von Tunturi!

Danke, dass Sie dieses Gerät von Tunturi erworben haben. Tunturi bietet eine breite Palette an Heim-Fitnessgeräten wie beispielsweise Crosstrainer, Laufbänder, Trainingsfahrräder und Rudergeräte an. Die Tunturi Geräte sind für die ganze Familie geeignet - ganz egal, wie fit man ist. Weitere Informationen finden Sie auf unserer Website unter [www.tunturi.com](http://www.tunturi.com)

### Wichtige sicherheitshinweise

Dieses Handbuch ist ein wesentlicher Bestandteil Ihres Trainingsgerätes. Lesen Sie es bitte sorgfältig durch, bevor Sie Ihr Trainingsgerät montieren, mit ihm trainieren oder es warten. Bitte bewahren Sie dieses Handbuch auf; es wird Sie jetzt und zukünftig darüber informieren, wie Sie Ihr Gerät benutzen und warten. Befolgen Sie diese Anweisungen immer sorgfältig.

## Warnhinweise zur Sicherheit

### ⚠️ WARNUNG

- Lesen Sie die Warnhinweise zur Sicherheit und die Anweisungen. Werden die Warnhinweise zur Sicherheit und die Anweisungen nicht befolgt, kann dies zu Personenverletzungen und Schäden am Gerät führen. Bewahren Sie die Warnhinweise zur Sicherheit und die Anweisungen zur künftigen Bezugnahme auf.

### ⚠️ WARNUNG

- Herzfrequenz-Überwachungssysteme können ungenau sein.
  - Eine Überanstrengung kann zu schweren Schädigungen oder zum Tod führen. Wenn Sie sich schwach oder ohnmächtig fühlen, stellen Sie die Übungen unverzüglich ein.
- Das Gerät ist nur für den Heim- und gewerblichen Gebrauch (z.B. Krankenhäuser, Feuerwachen, Hotels, Schulen, usw.) geeignet. Die maximale Verwendung ist auf 6 Stunden pro Tag beschränkt. Das Gerät ist nicht für den ausschließlichen gewerblichen Einsatz (z.B. große Fitnessstudios) geeignet.
  - Wenn dieses Gerät von Kindern oder Personen mit körperlicher, sensorischer, geistiger oder motorischer Behinderung verwendet wird, oder wenn nicht genügend Erfahrung und Kenntnisse vorhanden sind, kann dies zu Gefahrensituationen führen. Personen, die für deren Sicherheit verantwortlich sind, müssen klare Anweisungen geben oder den Gebrauch des Geräts beaufsichtigen.
  - Bevor Sie Ihr Training starten, nehmen Sie Kontakt mit einem Arzt auf, um Ihre Gesundheit kontrollieren zu lassen.
  - Falls Sie Übelkeit, ein Schwindelgefühl oder andere anormale Symptome verspüren, hören Sie unverzüglich mit Ihrem Training auf und wenden Sie sich an einen Arzt.
  - Um einen Muskelkater zu vermeiden, starten Sie jedes Training mit Aufwärmen und beenden Sie es mit Abkühlen. Denken Sie daran, sich am Ende des Trainings zu dehnen.
  - Das Gerät ist nur für den Gebrauch in geschlossenen Räumen geeignet. Das Gerät ist nicht für den Gebrauch im Freien geeignet.
  - Verwenden Sie das Gerät nur in Umgebungen mit ausreichender Belüftung. Verwenden Sie das Gerät nicht in zugiger Umgebung, damit Sie sich nicht erkälten.
  - Verwenden Sie das Gerät nur in Umgebungen mit Umgebungstemperaturen zwischen 10 °C~35 °C. Lagern Sie das Gerät nur in Umgebungen mit einer Umgebungstemperatur zwischen 5 °C~45 °C.
  - Verwenden und lagern Sie das Gerät nicht in feuchten Umgebungen. Die Luftfeuchtigkeit darf niemals 80% überschreiten.
  - Verwenden Sie das Gerät nur bestimmungsgemäß. Verwenden Sie das Gerät nicht für einen anderen als für den in diesem Handbuch beschriebenen Zweck.
  - Verwenden Sie das Gerät nicht, falls Teile beschädigt oder defekt sind. Ist ein Teil beschädigt oder defekt, wenden Sie sich an Ihren Händler.
  - Halten Sie Ihre Hände, Füße und andere Körperteile von den beweglichen Teilen fern.
  - Halten Sie Ihr Haar von den beweglichen Teilen fern.
  - Tragen Sie entsprechende Kleidung und Schuhe.
  - Halten Sie Kleidung, Schmuck und andere Gegenstände von den beweglichen Teilen fern.
  - Vergewissern Sie sich, dass das Gerät nur von einer Person auf einmal verwendet wird. Das Gerät darf nicht von Personen verwendet werden, deren Gewicht 150 kg (330 lbs) überschreitet.
  - Öffnen Sie das Gerät nicht, ohne vorher mit Ihrem Händler zu sprechen.

### Elektrische Sicherheit

(Betrifft nur elektrisch betriebene Geräte)

- Vergewissern Sie sich vor der Verwendung stets, dass die Netzspannung mit der Spannung auf dem Typenschild des Geräts übereinstimmt.

- Verwenden Sie kein Verlängerungskabel.
- Halten Sie das Netzkabel von Hitze, Öl und scharfen Kanten fern.
- Verändern Sie nichts am Netzkabel oder am Netzstecker.
- Verwenden Sie das Gerät nicht, falls das Netzkabel oder der Netzstecker beschädigt oder defekt ist. Ist das Netzkabel oder der Netzstecker beschädigt oder defekt, wenden Sie sich an Ihren Händler.
- Wickeln Sie das Netzkabel immer vollständig ab.
- Lassen Sie das Netzkabel nicht unter dem Gerät entlanglaufen. Lassen Sie das Netzkabel nicht unter einem Teppich entlanglaufen. Stellen Sie keine Gegenstände auf das Netzkabel.
- Vergewissern Sie sich, dass das Netzkabel nicht über der Kante eines Tisches hängt. Vergewissern Sie sich, dass niemand versehentlich über das Netzkabel stolpert.
- Lassen Sie das Gerät nicht unbeaufsichtigt, wenn der Netzstecker in die Wandsteckdose eingesteckt ist.
- Ziehen Sie nicht am Netzkabel, um den Netzstecker aus der Wandsteckdose zu ziehen.
- Ziehen Sie den Netzstecker aus der Wandsteckdose, wenn das Gerät nicht verwendet wird, bevor es zusammengebaut oder zerlegt wird sowie vor der Reinigung und Wartung.

#### ⚠️ WARNUNG

- Schwankungen in der Netzspannung von mehr als 10 Prozent können zu Fehlfunktionen des Gerätes führen und die Elektronik beschädigen. Die Leistungsaufnahme kann maximal 15 A betragen. Die Garantie erlischt, wenn das Gerät nicht diesen Anleitungen entsprechend angeschlossen wird

#### ⚠️ WARNUNG

- NIEMALS eine RCD-Steckdose für das Laufband verwenden - Residual Current Device (Fehlerstromschutzschalter) (U.S. ver.= GFCI). Wie bei jedem Gerät mit einem starken Motor, würde das RCD/GFCI oft ausgelöst werden. Führen Sie das Stromkabel abseits aller beweglichen Teile des Laufbands, einschließlich des Hebemechanismus und der Transporträder.

#### Erdungsanweisungen

Dieses Produkt muss geerdet werden. Wenn das Elektrosystem des Laufbands nicht funktioniert oder ausfällt, ist die Erdung der letzte Widerstand für Stromspannung, wodurch Stromschläge vermieden werden. Dieses Produkt hat eine Kabel mit einem Erdungsstecker. Der Stecker muss in eine geeignete Dose gesteckt werden, die richtig gemäß aller örtlichen Bestimmungen und Verordnungen installiert und geerdet ist.

#### ⚠️ WARNUNG

Ein ungeeigneter Erdungsanschluss des Geräts kann zu Stromschlägen führen. Überprüfen Sie zusammen mit einem qualifizierten Elektriker oder Servicemitarbeiter in Zweifelsfällen, ob das Gerät richtig geerdet ist. Nehmen Sie am Stecker, der mit dem Produkt geliefert wurde, keine Veränderungen vor, wenn dieser nicht in die Steckdose passt; lassen Sie von einem qualifizierten Elektriker eine passende Steckdose installieren.

## Montageanleitungen

### Beschreibung (Abb. A)

Ihr Laufband ist ein ortsgebundenes Fitnessgerät, das zur Simulation des Gehens oder Laufens verwendet wird, ohne dabei einen übermäßigen Druck auf die Gelenke auszuüben.

### Verpackungsinhalt (Abb. B&C)

- Die Verpackung enthält die in Abb. B dargestellten Teile.
- Die Verpackung enthält die Befestigungsteile gemäß Abb. C. Siehe Abschnitt "Beschreibung".

#### 📦 HINWEIS

- Fehlt ein Teil, wenden Sie sich an Ihren Händler.

### Zusammenbau (Abb. D)

#### ⚠️ WARNUNG

- Bauen Sie das Gerät in der angegebenen Reihenfolge zusammen.
- Tragen und bewegen Sie das Gerät mit mindestens zwei Personen.

#### ⚠️ VORSICHT

- Stellen Sie das Gerät auf festen, ebenen Boden.
- Stellen Sie das Gerät auf eine schützende Unterlage, um Schäden am Bodenbelag zu vermeiden.
- Sorgen Sie rund um das Gerät für einen Freiraum von mindestens 100 cm.

- Der richtige Zusammenbau des Geräts geht aus den Abbildungen hervor.

### Zubehör (abb. H)

#### !! HINWEIS

- Die abgebildete Abbildung zeigt, wie der Trainer mit den passenden verlängerten Handläufen aussieht.
- Die zusätzlichen verlängerten Handläufe können als Zubehör erworben werden.
- Article nr: 19TRNRH000

Wenden Sie sich an Ihren Händler, um weitere Informationen zu erhalten.

## Trainings

Das Training muss leicht und geeignet, aber von langer Dauer sein. Aerobic-Übungen basieren auf der Verbesserung der maximalen Sauerstoffaufnahme des Körpers, was wiederum die Ausdauer und Fitness verbessert. Sie sollten während des Trainings zwar ins Schwitzen, aber nicht außer Atem kommen.

Um eine Basisfitness zu erreichen und zu halten, üben Sie mindestens drei mal pro Woche 30 Minuten lang an einem Stück. Erhöhen Sie die Anzahl der Übungssitzungen, um Ihre Fitness zu verbessern. Es lohnt sich, die regelmäßigen Übungen mit einer gesunden Diät zu kombinieren. Personen, die Diät machen, sollten täglich zuerst 30 Minuten oder weniger an einem Stück üben und die tägliche Trainingszeit allmählich auf eine Stunde verlängern. Beginnen Sie Ihr Training mit niedriger Geschwindigkeit und geringem Widerstand, um zu vermeiden, dass das Herzkreislaufsystem einer übermäßigen Belastung ausgesetzt wird. Mit sich verbessernder Fitness können Geschwindigkeit und Widerstand allmählich erhöht werden. Die Wirksamkeit Ihrer Übungen kann durch Überwachung der Herzfrequenz und Ihrer Pulsfrequenz gemessen werden.

### Trainingsanleitung

Die Verwendung des Fitnesstrainers wird Ihnen viele Vorteile bieten: Er verbessert Ihre körperliche Fitness, formt die Muskeln und hilft Ihnen, in Verbindung mit einer kalorienreduzierten Diät, Gewicht zu verlieren.

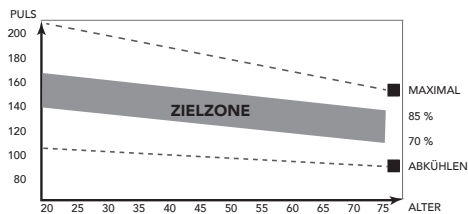
#### Die Aufwärm-Phase

Der Blutkreislauf wird angeregt und die Muskelfunktionen werden unterstützt. Außerdem wird das Risiko von Krämpfen und Muskelverletzungen gesenkt. Sie sollten, wie unten angezeigt, einige Dehnungsübungen machen. Sie sollten weder die Dehnungsbewegung erzwingen noch die Muskeln dabei ruckweise bewegen - wenn Sie Schmerzen haben, sollten Sie AUFHÖREN.

#### Die Trainings-Phase

In dieser Phase strengen Sie sich an. Nach regelmäßiger Verwendung werden die Muskeln in Ihren Beinen beweglicher. In dieser Phase ist es sehr wichtig, immer ein gleichmäßiges Tempo beizubehalten.

Die Anstrengung sollte ausreichen, um Ihren Herzschlag bis in die Zielzone zu erhöhen, die im folgenden Diagramm dargestellt ist.



Diese Phase sollte mindestens 12 Minuten dauern; die meisten Menschen beginnen mit ca. 15 bis 20 Minuten.

## Die Abkühlungs-Phase

Sie dient der Entspannung Ihres Herz-Kreislaufsystems und Ihrer Muskeln. Dabei werden die Aufwärmübungen wiederholt, reduzieren Sie zum Beispiel Ihr Tempo und machen Sie ca. 5 Minuten weiter. Jetzt sollten die Dehnübungen wiederholt werden. Denken Sie wiederum daran, weder die Dehnungsbewegung zu erzwingen noch die Muskeln dabei ruckweise zu bewegen. Wenn Sie fitter werden, kann es sein, dass Sie länger und härter trainieren müssen. Sie sollten mindestens drei Mal die Woche trainieren und, falls möglich, Ihre Trainingseinheiten gleichmäßig über die Woche verteilen.

## Muskelformung

Um Ihre Muskeln beim Training auf dem Fitnesstrainer zu formen, müssen Sie den Widerstand ziemlich hoch einstellen. Dadurch werden die Beinmuskeln mehr angestrengt und Sie können möglicherweise nicht so lange trainieren, wie Sie möchten. Wenn Sie außerdem Ihre Fitness verbessern möchten, müssen Sie Ihr Trainingsprogramm ändern. Sie sollten in den Aufwärm- und Abkühlphasen normal trainieren, jedoch gegen Ende der Trainingsphase den Widerstand erhöhen, damit Ihre Beine härter arbeiten müssen. Sie müssen die Geschwindigkeit verringern, damit Ihre Herzfrequenz in der Zielzone bleibt.

## Gewichtsabnahme

Der wichtige Faktor ist, wie sehr Sie sich anstrengen. Je härter und je länger Sie trainieren, desto mehr Kalorien verbrennen Sie. Dies ist im Grunde dasselbe, wie wenn zur Verbesserung Ihrer Fitness trainieren, nur das Ziel ist ein anderes.

## Herzfrequenz

### Pulsfrequenzmessung (Handpulssensoren)

Die Pulsfrequenz wird durch Sensoren in den Handgriffen gemessen, wenn der Nutzer beide Sensoren gleichzeitig anfasst. Für eine genaue Pulsmessung ist es erforderlich, dass die Haut etwas feucht ist und die Handpulssensoren konstant berührt werden. Ist die Haut zu trocken oder zu feucht, wird die Pulsfrequenzmessung weniger genau.

#### HINWEIS

- Verwenden Sie die Handpulssensoren nicht in Kombination mit einem Herzfrequenz-Brustgürtel.
- Wenn Sie sich einen Herzfrequenz-Grenzwert für Ihr Training setzen, ertönt beim Überschreiten ein Signal.

### Herzfrequenzmessung (Herzfrequenz-Brustgürtel)

#### HINWEIS

- Ein Herzfrequenz-Brustgürtel gehört bei diesem Trainer nicht zum Standard. Wenn Sie einen drahtlosen Brustgürtel verwenden möchten, müssen Sie diesen als Zubehör erwerben.

Die genaueste Herzfrequenzmessung lässt sich mit einem Herzfrequenz-Brustgürtel erzielen. Die Herzfrequenz wird mit einem Herzfrequenzempfänger in Kombination mit einem Herzfrequenz-Sendegürtel gemessen. Für eine genaue Herzfrequenzmessung ist es erforderlich, dass die Elektroden am Sender etwas feucht sind und

die Haut konstant berühren. Sind die Elektroden zu trocken oder zu feucht, wird die Herzfrequenzmessung weniger genau.

#### ⚠️ WARNUNG

- Falls Sie einen Schrittmacher haben, wenden Sie sich zunächst an einen Arzt, bevor Sie einen Herzfrequenz-Brustgürtel verwenden.

#### ⚠️ VORSICHT

- Falls sich mehrere Herzfrequenz-Messgeräte in gegenseitiger Nähe befinden, vergewissern Sie sich, dass der Abstand zwischen ihnen mindestens 1,5 Meter beträgt.
- Falls nur ein Herzfrequenzempfänger und mehrere Herzfrequenzsender vorhanden sind, vergewissern Sie sich, dass nur eine Person mit einem Sender in Sendereichweite ist.

#### 📌 HINWEIS

- Verwenden Sie keinen Herzfrequenz-Brustgürtel in Kombination mit den Handpulssensoren.
- Tragen Sie den Herzfrequenz-Brustgürtel stets mit direktem Hautkontakt unter Ihrer Kleidung. Tragen Sie den Herzfrequenz-Brustgürtel nicht auf Ihrer Kleidung. Falls Sie den Herzfrequenz-Brustgürtel auf Ihrer Kleidung tragen, gibt es kein Signal.
- Wenn Sie sich einen Herzfrequenz-Grenzwert für Ihr Training setzen, ertönt beim Überschreiten ein Signal.
- Der Sender überträgt die Herzfrequenz in einem Abstand bis zu 1 Meter zur Konsole. Sind die Elektroden nicht feucht, erscheint die Herzfrequenz nicht auf der Anzeige.
- Einige Fasern in der Kleidung (z.B. Polyester, Polyamid) erzeugen statische Elektrizität, die eine genaue Herzfrequenzmessung verhindern kann.
- Mobiltelefone, Fernsehgeräte und andere Elektrogeräte erzeugen ein elektromagnetisches Feld, das eine genaue Herzfrequenzmessung verhindern kann.

### Maximale Herzfrequenz (während des Trainings)

Die maximale Herzfrequenz ist die höchste Herzfrequenz, die eine Person durch Übungsbelastung sicher erzielen kann. Folgende Formel wird zur Berechnung der durchschnittlichen maximalen Herzfrequenz verwendet:  $220 - \text{ALTER}$ . Die maximale Herzfrequenz variiert von Person zu Person.

#### ⚠️ WARNUNG

- Stellen Sie sicher, dass Sie während des Trainings Ihre maximale Herzfrequenz nicht überschreiten. Falls Sie einer Risikogruppe angehören, wenden Sie sich an einen Arzt.

### Anfänger

#### 50-60% der maximalen Herzfrequenz

Geeignet für Anfänger, Gewicht- Beobachter, Genesende und Personen, die schon lange nicht mehr trainiert haben. Trainieren Sie mindestens dreimal pro Woche 30 Minuten an einem Stück.

### Fortgeschritten

#### 60-70% der maximalen Herzfrequenz

Geeignet für Personen, die ihre Fitness verbessern und halten wollen. Trainieren Sie mindestens dreimal pro Woche 30 Minuten an einem Stück.

### Experte

#### 70-80% der maximalen Herzfrequenz

Geeignet für die fittesten Personen, die sich an lange Ausdauertrainings gewöhnt haben.

## Gebrauch

### Hauptschalter (Abb. E-2A)

Das Gerät ist mit einem Hauptschalter ausgestattet, mit dem es komplett abgeschaltet werden kann.

**Um das Gerät zu starten:**

- Stecken Sie den Netzstecker in das Gerät.
- Stecken Sie den Netzstecker in die Wandsteckdose.
- Schalten Sie den Hauptschalter ein (ON).

**Um das Gerät zu stoppen:**

- Schalten Sie den Netzschalter aus (OFF).
- Ziehen Sie den Netzstecker aus der Wandsteckdose.
- Ziehen Sie den Netzstecker aus dem Gerät.

**Sicherheitsschlüssel (Abb. F-4)**

Das Gerät ist mit einem Sicherheitsschlüssel ausgestattet, der zum Starten in die Konsole gesteckt werden muss. Wird der Sicherheitsschlüssel aus der Konsole entfernt, stoppt das Gerät sofort.

- Stecken Sie den Sicherheitsschlüssel in den Schlitz in der Konsole.
  - Vergewissern Sie sich, dass der Clip des Sicherheitsschlüssels richtig an Ihrer Kleidung befestigt ist.
- Vergewissern Sie sich, dass der Clip nicht von Ihrer Kleidung entfernt wird, bevor der Sicherheitsschlüssel aus der Konsole gezogen wird.

**HINWEIS**

- Die Konsole zeigt den E7-Code an, wenn der Sicherheitsschlüssel nicht in Position ist.

**Schutzschalter (Abb. E-2B)**

Das Gerät ist mit einem Schutzschalter ausgestattet, der den Strom unterbricht, wenn die elektrische Last die maximale Kapazität überschreitet. Tritt dies ein, muss der Schutzschalter gedrückt werden..

**WARNUNG**

- Ziehen Sie vor dem Drücken des Schutzschalters den Netzstecker aus dem Gerät.

Schaltet das Gerät ab, gehen Sie wie folgt vor, um das Gerät neu zu starten:

- Ziehen Sie den Netzstecker aus dem Gerät.
- Drücken Sie den Schutzschalter, um das Gerät neu zu starten.
- Stecken Sie den Netzstecker in das Gerät.

**HINWEIS**

- Einige Schutzschalter in Gebäuden sind nicht auf hohen Einschaltstrom ausgelegt, der beim ersten Einschalten des Laufbands oder auch bei normaler Verwendung vorkommen kann. Wenn Ihr Laufband den Schutzschalter auslöst (auch wenn die Spannung korrekt ist und das Laufband das einzige Gerät im Stromkreis ist), aber der Schutzschalter im Laufband selbst nicht ausgelöst wird, müssen Sie den Schalter durch einen für hohen Einschaltstrom ersetzen. Dies ist nicht Teil der Garantieleistungen. Diese Bedingungen können vom Hersteller nicht beeinflusst werden.

**Auseinander- und Zusammenklappen des Geräts (Abb. F1-F2)**

Das Gerät kann zum Gebrauch auseinandergeklappt (Abb.F1) und zum Transport und zur Aufbewahrung zusammengeklappt werden (Abb. F2). Aus den Abbildungen geht hervor, wie das Gerät richtig auseinander- und zusammengeklappt wird.

**WARNUNG**

- Stelle sicher das der Steigungswinkel auf 0 steht bevor sie das Lauf-deck einklappen. Wenn der Steigungswinkel nicht auf 0 steht, dann kann der Mechanismus beschädigt werden.

**Einstellen der Stützfüße**

Das Gerät hat 4 Stützfüße. Steht das Gerät nicht stabil, kann es mit den Stützfüßen eingestellt werden.

- Drehen Sie die Stützfüße wie erforderlich, um das Gerät in eine stabile Position zu bringen.
- Ziehen Sie die Sicherungsmuttern an, um die Stützfüße zu sichern.

**HINWEIS**

- Die Maschine steht am stabilsten, wenn alle Stützfüße vollständig eingeschraubt sind. Nivellieren Sie die Maschine daher, indem Sie alle Stützfüße vollständig eindrehen, bevor Sie die entsprechenden Füße zur Stabilisierung der Maschine wieder herausdrehen.

**Konsole (Abb. E-1)****VORSICHT**

- Halten Sie die Konsole von direkter Sonneneinstrahlung fern.
- Trocknen Sie die Oberfläche der Konsole, wenn Sie mit Schweißtropfen bedeckt ist.
- Lehnen Sie sich nicht auf die Konsole.
- Berühren Sie die Anzeige nur mit Ihrer Fingerspitze. Vergewissern Sie sich, dass Ihre Nägel oder andere scharfe Gegenstände die Anzeige nicht berühren.

**HINWEIS**

- Die Konsole schaltet in den Standby-Modus, wenn das Gerät 4 Minuten lang nicht verwendet wird.

**Tasten****Stop/Reset**

- Einmal drücken, um das Training/das Laufband sanft zu stoppen.
- Zweimal drücken, um das Training/das Laufband schneller zu stoppen.
- Setzen Sie das Cockpit zurück, indem Sie die Taste zwei Sekunden im „Stopmodus“ gedrückt halten.

**Start/Pause**

- Das ausgewählte Training starten oder das unterbrochene Training neu starten, wenn Sie sich im Pausemodus befinden.
- Das aktive Training unterbrechen.

**Prog**

- Drücken, um durch die möglichen Programme zu wechseln. (P0/ P1~P36/ U01~U03/ HRC1~HRC3/ FAT)

**Modus**

- Zyklus zwischen den Zielparametern im Programmiermodus.
- Zeitvorgabe beim Einstellen der Zeitvorgaben für die Programme "P1~P36" zurücksetzen.

**Speed +**

- Erhöht die Geschwindigkeit (0.8 ~ 22.0 km/h).
- Bei einmaligem Drücken erhöht sich die Geschwindigkeit um 0.1 km/h.
- Die Geschwindigkeit wird schneller erhöht, wenn die Taste zwei Sekunden gedrückt gehalten wird.
- Blättern Sie durch die Programme und ändern Sie die Werte im Programmiermodus.

**Speed -**

- Verringert die Geschwindigkeit (0.8 ~ 22.0 km/h).
- Bei einmaligem Drücken verringert sich die Geschwindigkeit um 0.1 km/h.
- Die Geschwindigkeit wird schneller verringert, wenn die Taste zwei Sekunden gedrückt gehalten wird.
- Blättern Sie durch die Programme und ändern Sie die Werte im Programmiermodus.

**Kurzwahltasten Geschwindigkeit:**

Die Kurzwahltasten sind auf 6, 9, 12 eingestellt. So ändert sich zum Beispiel eine beliebige Geschwindigkeit auf 9 km/h, wenn Sie die Kurzwahltaste 9 drücken.

**Schnellzugriffstasten am Lenker:**

- + Gleich Geschwindigkeit +.
- - Gleich Geschwindigkeit -.

## Incline +

- Erhöht die Steigung (0 ~ 15 +1).
- Blättern Sie durch die Programme und ändern Sie die Werte im Programmiermodus.

## Incline -

- Verringert die Steigung (0 ~ 15 -1).
- Blättern Sie durch die Programme und ändern Sie die Werte im Programmiermodus.

## Kurzwahltasten Steigung:

Die Kurzwahltasten sind auf 0, 5, 10 eingestellt.

So ändert sich zum Beispiel eine beliebige Steigung auf 5, wenn Sie die Kurzwahltaste 5 drücken.

## Schnellzugriffstasten Steigung am Lenker:

- + : Wie Steigung +.
- - : Wie Steigung -.

## Erklärung der Anzeigeelemente (Abb. H)

### Geschwindigkeit

- Zeigt im Trainingsmodus die aktuelle Laufbandgeschwindigkeit an.
- Zeigt im Programmiermodus die Zielgeschwindigkeit an.
- Zeigt im Programmiermodus die Programmauswahl an.

### Steigung

- Zeigt im Trainingsmodus die aktuelle Laufbandsteigung an.
- Zeigt im Programmiermodus die Zielsteigung.

### Entfernung

- Zeigt im Trainingsmodus die zurückgelegte Strecke an.
- Zeigt beim Training im Countdown-Modus die verbleibende Entfernung an.
- Zeigt im Programmiermodus die Zielstrecke an.

### Steps

Das Cockpit kann die Anzahl Ihrer Schritte während Ihres Trainings zählen, wenn Sie Ihre Geschwindigkeit über 3.0 km/h halten, und das Benutzergewicht beträgt mindestens 40 kg.

### Zeit

- Zeigt im Trainingsmodus die gelaufene Zeit an.
- Zeigt beim Training im Countdown-Modus die verbleibende Zeit an.
- Zeigt im Programmiermodus die Zielzeit an.

### Herz

- Zeigt im Trainingsmodus die Pulsfrequenz oder „P“ an, wenn kein Puls gemessen wird.

### Kalorien

- Zeigt die verbrauchten Kalorien im Trainingsmodus an.
- Zeigt beim Training im Countdown-Modus die verbleibenden Kalorien an.
- Zeigt im Programmiermodus die Zielkalorien an.

## !! HINWEIS

- Diese Daten sind ein grober Anhaltspunkt für den Vergleich verschiedener Trainingssitzungen, die nicht für eine medizinische Behandlung verwendet werden können.

## !! HINWEIS

- Anzeige für Zeit/Schritt, Herz/Steigung und Kalorien/Entfernung, schaltet alle 5 Sekunden um.

## USB Funktion

Der Benutzer kann ein Gerät anschließen zum Laden, während des Trainings.

Spannung/ Strom: 5VDC/ 1.0 Amp

## Programme

### Schnellstart

- Drücken Sie die Taste „Start/ Pause“, um Ihr Training ohne Voreinstellungen zu beginnen.
- Das Laufband beginnt mit der Mindestgeschwindigkeit von 0.8 Km/h und behält die aktuell eingestellte Steigungseinstellung bei.
- Die Einstellung „Speed/Incline“ lässt sich jederzeit manuell einstellen, um Ihr Training zu ändern. Sie können es auch jederzeit stoppen/unterbrechen.

### Ziel-Countdown-Modus (P0)

Das Gerät muss sich im Startmodus befinden, damit man auf den Ziel-Countdown-Modus zugreifen kann.

Halten Sie die „Stop/Reset-“ Taste zwei Sekunden lang gedrückt, um den Startmodus zu aktivieren.

- Drücken Sie die Taste „Mode“, um den Ziel-Countdown-Modus auszuwählen:
  - Trainingsmodus 1: Zeitziel.  
Verwenden Sie die Tasten „Speed/Incline + & -“, um den Wert einzustellen. Standard 30:00 Min. Umfang 5:00~95:00 ± 1:00.
  - Trainingsmodus 2: Zielwert Distanz.  
Verwenden Sie die Tasten „Speed/Incline + & -“, um den Wert einzustellen. Standard 1.00 km. Rahmen 1.00~99.00 ± 1.0.
  - Trainingsmodus 3: Kalorien-Countdown.  
Verwenden Sie die Tasten „Speed/Incline + & -“, um den Wert einzustellen. Standard 50. Rahmen 20~9990 ± 10.
- Drücken Sie die Taste „Start/Pause“, um Ihr Training direkt nach der Zieleinstellung zu beginnen.

## !! HINWEIS

- Wenn ein Ziel festgelegt ist, endet das Training, wenn das voreingestellte Ziel erreicht ist.
- Es kann nur ein Ziel eingestellt werden.

### Training beenden

- Durch einmaliges Drücken der Taste „Start/ Pause“ können Sie jederzeit pausieren.  
Das Display wird den Pausemodus „PAUS“ anzeigen. Die maximale Pausenzeit beträgt 4.30 Min.
- Drücken Sie zur Wiederaufnahme des Trainings die Taste „Start/ Pause“ im „PAUSE“-Modus.
- Zum Anhalten des Trainings einmal auf die Taste „STOP“ (Stopp) drücken.
- Zum Zurücksetzen der Konsole zweimal auf „STOP“ (Stopp) drücken.

### Voreingestellte Programme (P1~P36)

Das Gerät verfügt über 36 voreingestellte Programme mit verschiedenen Profilen. (Tabelle Abb. G.)

- Drücken Sie die Tasten „Prog“, um die Programme „P1 bis P36“ auszuwählen; drücken Sie dann zur Bestätigung die Taste „Mode“.
- Stellen Sie die gewünschte Trainingszeit ein  
Verwenden Sie die Tasten „Speed/Incline + & -“, um den Wert einzustellen. Standard 30:00 Min. Umfang 5:00~95:00 ± 1:00.
- Drücken Sie die Taste „Start/ Pause“, um Ihr Training zu beginnen.

## !! HINWEIS

- Die Geschwindigkeit und die Steigung werden anhand des gewählten Programms gesteuert.
- Ein akustischer Signalton signalisiert dem Benutzer, dass innerhalb weniger Sekunden eine Geschwindigkeits- und/oder Steigungseinstellung erfolgt.
- Die Dauer jedes Segments beträgt 1/16 der voreingestellten Trainingszeit.



- Die Geschwindigkeit und die Steigung können jederzeit geändert werden, sie beziehen sich aber nur auf das aktive Profilsegment. Das Programm wird dem Profil weiter folgen, wenn es zum nächsten Profilsegment wechselt.

## Benutzerprogramme (U01~U03)

Das Gerät verfügt über drei Benutzerprogramme.

Jedes der Benutzerprogramme kann an persönliche Anforderungen angepasst werden. Jedes Benutzerprogramm verfügt über 10 Schritte. Für jede Stufe kann die Geschwindigkeit und die Steigung eingestellt werden. Jede Stufe dauert 1/16 der gesamten Zeit.

- Wählen Sie zur Auswahl des Programms „U-1~ U-3“ die Taste „Prog“.
- Stellen Sie die gewünschte Trainingszeit ein. Verwenden Sie die Tasten „Speed/Incline + & -“, um den Wert einzustellen. Standard 30:00 Min. Umfang 5:00~95:00 ± 1:00.
- Drücken Sie die Taste „Start/ Pause“, um Ihr Training zu beginnen.

### Programmiermodus Profile

- Wählen Sie zur Auswahl des Programms U-1/U-2 oder U-3 die Taste „Prog“.
- Drücken Sie die Taste „Mode“, um den Programmiermodus für das erste Geschwindigkeitsprofil zu öffnen. Stellen Sie die gewünschten Geschwindigkeitswerte für das erste Segment ein. Verwenden Sie die Tasten „Speed/Incline + & -“ und bestätigen Sie mit der Taste „Mode“.
- Der Programmiermodus für Geschwindigkeitssegment 2 wird geöffnet. Programmieren Sie alle Geschwindigkeitssegmente wie in Segment 1.
- Der Programmiermodus für die Steigung wird geöffnet. Verwenden Sie die Tasten „Speed/Incline + & -“ für die Steigungswerte des ersten Programmsegments und bestätigen Sie mit der Taste „Mode“.
- Der Programmiermodus für Steigungssegment 2 wird geöffnet. Programmieren Sie alle Steigungssegmente wie in Segment 1.
- Wenn das 16. Segment bestätigt ist, wird das Zeitfenster aufleuchten, um die gewünschte Trainingszeit einzustellen.
- Halten Sie die Mode-Taste drei Sekunden lang gedrückt, um Ihr eingestelltes Profil zu speichern.
- Stellen Sie die gewünschte Trainingszeit ein. Verwenden Sie die Tasten „Speed/Incline + & -“, um den Wert einzustellen. Standard 30:00 Min. Umfang 5:00~95:00 ± 1:00.
- Das Programm lässt sich mit der Taste „Start/Pause“ starten.

### !! HINWEIS

- Das programmierte Benutzerprofil wird automatisch gespeichert, so dass es beim nächsten Mal erneut verwendet werden kann.

## Körperfett

Das Körperfettprogramm dient zum Anzeigen Ihrer körperlichen Verfassung anhand Ihrer Körperparameter und Ihrer Herzfrequenz.

- Drücken Sie die Taste „Mode“, um den Programmiermodus zu öffnen.
- Drücken Sie die Tasten „Prog“, um das Programm „FAT“ auszuwählen; drücken Sie dann zur Bestätigung die Taste „Mode“.
- Das Display zeigt „F1“ (Geschlecht) an. Das Display zeigt „1“ an. Zur Auswahl die Tasten „Speed/Incline + & -“ drücken: 1: Männlich/ 2: Weiblich Drücken Sie zur Bestätigung die Taste „Mode“.
- Das Display zeigt „F2“ (Alter) an. Das Display zeigt „25“ an. Zur Auswahl die Aufwärts-/Abwärtstasten drücken: 1 bis 99 Zur Bestätigung die Taste „Mode“ drücken.

- Das Display zeigt „F3“ (Größe) an. Das Display zeigt „170“ cm an. Zur Auswahl die Aufwärts-/Abwärtstasten drücken: 100 bis 220 cm Zur Bestätigung die Taste „Mode“ drücken.
- Das Display zeigt „F4“ (Gewicht) an. Das Display zeigt „70 kg“ an. Zur Auswahl die Aufwärts-/Abwärtstasten drücken: 20 bis 150 kg Drücken Sie zur Bestätigung die Taste „Mode“.
- Das Display zeigt „F5“ (Aktiv) an. Halten Sie die Kontakthandgriff-Herzfrequenzmesspads, um die „FAT“-Messung zu aktivieren. Das Ergebnis wird nach fünf bis zehn Sekunden angezeigt. Siehe „Ergebnisberechnung“.

### ⚠ ACHTUNG

- Für diese Funktion ist das Halten der Kontakthandgriff-Herzfrequenzmesspads erforderlich.

### Ergebnisberechnung:

- KÖRPERTYP: (Körperfettanteil; Neun Typen)
  - FETT 0 ~17 Untergewicht
  - FETT 18 ~ 24 Normal
  - FETT 28 ~ 28 Übergewicht
  - FETT 29 ~ darüber Adipositas
- BF = Body Fat, dt. Körperfett (im Verhältnis, %)
- Der Fehlercode „ERR“ wird angezeigt, wenn während der Körperfettmessung keine Herzfrequenz erkannt wurde.
- Mit der Taste „Stop/Reset“ kann das Körperfettprogramm beendet werden.

## HRC-Programm

Das HRC-Programm ist ein geschwindigkeitsgeregeltes Programm, das auf Ihrer Herzfrequenz basiert. Die Geschwindigkeit erhöht sich automatisch, wenn sich Ihre Herzfrequenz unter dem Zielwert befindet, und sie verringert sich automatisch, wenn er über dem Zielwert liegt.

- Wählen Sie zur Auswahl des Programms „HRC“ HRC1 die Taste „Prog“. Voreingestellte Höchstgeschwindigkeit beträgt 8 km/h. HRC2: Voreingestellte Höchstgeschwindigkeit beträgt 12 km/h. HRC3: Voreingestellte Höchstgeschwindigkeit beträgt 22.0 km/h. Programm, drücken Sie zur Bestätigung die Taste „Mode“.
- Bei der Auswahl des Alters zeigt das Display „25“ an. Zur Auswahl von: 1~99 die Tasten „Up/ Down“ drücken. Zum Bestätigen die Taste „Mode“ drücken.
- Die Zielherzfrequenz wird anhand Ihres Alters angezeigt. Zielherzfrequenz =  $(220 - \text{Alter}) \times 0,6$ . Drücken Sie die Tasten „Up/ Down“ um den Zielwert 60~200 zu ändern und drücken Sie zur Bestätigung die Taste „Mode“.
- Bei der Auswahl der Trainingszeit zeigt das Display „30:00“ an. Drücken Sie zur Auswahl die Tasten „Up/ Down“: 5:00~99:00 Drücken Sie zur Bestätigung die Taste „Mode“.
- Das Programm lässt sich mit der Taste „Start/Pause“ starten.

### HRC-Betriebsfunktion:

- HRC-Programme beginnen nach einer einminütigen Aufwärmzeit. (Geschwindigkeit stellt sich nicht automatisch ein)
- Die Anfangsgeschwindigkeit beträgt 1,0 km/h, diese kann manuell auf eine angenehme Aufwärmzeit eingestellt werden.
- Die Konsole überprüft die Herzfrequenz alle 30 Sekunden und steuert die Geschwindigkeit wie folgt

| Herzfrequenz | Parameter      | Geschwindigkeits-<br>Einstellung |
|--------------|----------------|----------------------------------|
| 29+ BPM      | Unter Zielwert | + 2,0 km/h                       |
| 6~29 BPM     | Unter Zielwert | + 1,0 km/h                       |
| 0~5 BPM      | Unter Zielwert | Keine Anpassung                  |
| 0~5 BPM      | Über Zielwert  | Keine Anpassung                  |
| 6~29 BPM     | Über Zielwert  | - 1,0 km/h                       |
| 29+ BPM      | Über Zielwert  | - 2,0 km/h                       |

## !! HINWEIS

- Die Steigungseinstellung wird im HRC-Programmmodus nicht geregelt, kann jedoch vom Benutzer jederzeit justiert werden, um so das Training zu intensivieren oder zu lockern.
- Die Geschwindigkeit kann vom Benutzer jederzeit geändert werden.
- Wenn die Geschwindigkeit über der voreingestellten Geschwindigkeitsbegrenzung liegt, wird sie automatisch an die voreingestellte Geschwindigkeitseinstellung angepasst.
- Wenn keine Herzfrequenz erfasst wird, beendet das Laufband das Training.

## ⚠ ACHTUNG

- Für diese Funktion muss die Herzfrequenz gemessen werden.

## ERP-Funktion

Mit der ERP-Funktion kann Ihr Laufband im Ruhemodus automatisch deaktiviert werden, nachdem es 4:30 Minuten unbetätigt gewesen ist. Sie können diese Funktion folgendermaßen ein- und ausschalten:

- Wenn sich das Laufband im Startmodus befindet und die Taste „Mode“ drei Sekunden lang gedrückt wird, kann zwischen Ein- und Ausschaltmodus gewechselt werden.
  - Wenn das Display auf „1111“ steht, wird der Einschaltmodus angezeigt. Das Gerät schaltet nach 4:30 Minuten Ruhezeit in den Standby-Modus.
  - Wenn das Display auf „2222“ steht, wird der Ausschaltmodus angezeigt. Das Gerät schaltet nach 4:30 Minuten Ruhezeit nicht in den Standby-Modus.

## ⚠ ACHTUNG

- Wir empfehlen, die ERP-Funktion immer im Einschaltmodus zu belassen.

## Bluetooth & APP

- Diese Konsole kann über Bluetooth eine Verbindung mit ein APP auf dem Smart-Gerät herstellen. (iOS & Android)
- Erstellen Sie die Bluetooth-Verbindung nur über den Verbindungsmodus auf die installierte APP auf ihr Smartphone oder Tablet

## 🔊 HINWEIS

- Tunturi bietet nur die Option an, die Fitness-Konsole über eine Bluetooth-Verbindung anzuschließen. Daher ist Tunturi nicht für Schäden oder Fehlfunktionen von Produkten verantwortlich, die nicht von Tunturi sind.
- Überprüfen Sie die Website für zusätzliche Informationen

## Garantie

### Garantiebedingungen

Der Käufer ist berechtigt die den Handel mit Konsumgütern betreffenden gesetzlichen Rechte gemäß der nationalen Gesetzgebung in Anwendung zu bringen. Diese Rechte werden durch die Garantie nicht eingeschränkt. Bedingungen zu ersetzen.

Die Eigentümer-Garantie gilt nur dann, wenn das Gerät in einer für entsprechende Geräte der Tunturi New Fitness BV zugelassenen Anwendungsumgebung verwendet wird. Die für das Gerät zugelassene Anwendungsumgebung wird in der Bedienungsanleitung des Geräts genannt.

### Garantiedauer

Die Garantie gilt ab Kaufdatum. Die Garantiedauer kann sich je nach Land unterscheiden. Bitte wenden Sie sich an Ihren zuständigen Händler, um die Garantiedauer zu erfahren.

### Garantieumfang

Unter keinen Umständen haften die Tunturi New Fitness BV oder der Tunturi-Vertragshändler für dem Käufer möglicherweise zugefügte indirekte Schäden wie Gebrauchsbeeinträchtigung oder Einkommensverlust oder anderen wirtschaftlichen Folgeschäden.

### Einschränkungen der Garantie

Die Garantie deckt durch Herstellung oder Material hervorgerufene Fehler des Fitnessgeräts in dessen ursprünglicher Zusammensetzung. Unter Voraussetzung, dass die Aufbau-, Pflege- und Gebrauchsanweisungen von Tunturi befolgt wurden, erstreckt sich die Garantie auf solche Fehler, die bei normaler und einem dem Gerät beiliegenden Anleitungsbuch entsprechender Benutzung auftreten können. Die Tunturi New Fitness BV und der Tunturi-Vertragshändler haften nicht für Fehler, die durch Faktoren außerhalb ihrer Einflussmöglichkeiten hervorgerufen wurden. Die Garantie gilt nur für den ursprünglichen Eigentümer und nur in den Ländern, in denen es einen von der Tunturi New Fitness BV autorisierten Importeur gibt. Die Garantie gilt nicht für solche Fitnessgeräte oder Teile, an denen ohne Zustimmung der Tunturi New Fitness BV Veränderungen vorgenommen worden sind. Die Garantie betrifft auch nicht solche Schäden, die durch natürlichen Verschleiß, fehlerhaften Gebrauch, Benutzung unter für das Gerät nicht vorgesehenen Umständen, Korrosion, Verladung oder Transport hervorgerufen wurden.

Ersatzleistungen aufgrund von Geräuschen, die beim Einsatz des Geräts auftreten, sind von der Garantie ausgeschlossen, sofern diese Geräusche den Gebrauch des Geräts nicht wesentlich beeinträchtigen und nicht durch einen Gerätefehler bedingt sind.

Die Garantie beinhaltet keine Wartungsmaßnahmen, wie Reinigung, Schmieren oder normales Kontrollieren der Teile, auch nicht solche Aufbaumaßnahmen, die der Kunde selbst ausführen kann und die kein spezielles Auseinander- oder Zusammenbauen des Fitnessgeräts erfordern. Zu solchen Maßnahmen gehört beispielsweise das Austauschen von Cockpits, Pedalen oder anderer entsprechender einfacher Teile. Andere als die durch einen autorisierten Tunturi-Vertreter ausgeführten Garantieleistungen werden nicht ersetzt. Durch unsachgemäße, d.h. nicht der Bedienungsanleitung entsprechenden, Bedienung, verfällt jedweder Garantieanspruch.

## Reinigung und Wartung

### ⚠ WARNUNG

- Ziehen Sie vor der Reinigung und Wartung den Netzstecker aus der Wandsteckdose.
- Verwenden Sie zur Reinigung des Geräts keine Lösungsmittel.

- Blockieren Sie nicht die Belüftungsöffnungen. Halten Sie die Belüftungsöffnungen frei von Staub, Schmutz und anderen Hindernissen.
- Reinigen Sie das Gerät nach dem Gebrauch mit einem weichen aufnahmefähigen Lappen.
- Reinigen Sie die sichtbaren Teile des Geräts mit einem Staubsauger mit kleiner Saugdüse.
- Prüfen Sie regelmäßig, ob alle Schrauben und Muttern fest sind.

### Gurt und Lauffläche

Ihr Laufband hat ein sehr hocheffizientes reibungsarmes Band. Die Leistung wird erhöht, wenn die Lauffläche so sauber wie möglich ist. Verwenden ein weiches, feuchtes Tuch oder Papier, um die Ecken des Gurts und den Bereich zwischen Gurt und Rahmen zu reinigen.



Reichen Sie dabei auch soweit wie möglich unter die Banddecken. Dies sollten Sie einmal im Monat tun, um die Lebensdauer der Lauffläche zu erhalten. Verwenden Sie nur Wasser - keine Reinigungs- oder Scheuermittel. Ein milde Seifenlösung mit einem Nylonscheuerschwamm kann verwendet werden, um die Oberfläche des Stoffbands zu reinigen. Das Band sollte vor der Nutzung getrocknet sein.

### Schmierung (Abb. F-4)

Das Laufband muss regelmäßig auf gute Schmierung geprüft werden. Daher wird die Treadmill mit einer Erinnerungsfunktion (alle 300 Stunden) geliefert. Das Fenster „TIME“ zeigt „OIL“ an und es ertönt ein Piepton im 10-Sekundentakt, um Sie an die Prüfung zu erinnern. Folgen Sie dem Ablauf zur Prüfung und löschen Sie die „OIL“-Mitteilung und das Tonsignal, indem Sie die Taste „STOP“ mindestens 3 Sekunden lang gedrückt halten, während das Signal ausgegeben wird.

#### ⚠️ WARNUNG

- Ziehen Sie vor der Schmierung den Netzstecker aus der Wandsteckdose.

#### ⚠️ VORSICHT

- Wir empfehlen, die Laufmatten-Schmierung mindestens einmal im Monat zu überprüfen da die Schmierungsbedingungen von mehreren Faktoren beeinflusst werden können.
  - Schmieren Sie das Laufband nur, wenn dies erforderlich ist. Wird zu viel Schmiermittel aufgetragen, kann das Laufband aufgrund mangelnder Reibung leicht durchrutschen.
- Stellen Sie sich ruhig auf das Laufband.
  - Halten Sie sich am vorderen Handgriff fest und schieben Sie das Laufband mit Ihren Füßen nach vorne und hinten. Das Laufband muss sich geschmeidig und gleichmäßig ohne Geräusentwicklung bewegen.
  - Falls sich das Laufband nicht geschmeidig und gleichmäßig bewegt, oder falls es sich überhaupt nicht bewegt, fassen Sie mit den Fingerspitzen an die Unterseite des Laufbandes, um die Schmierung zu kontrollieren:
    - Falls Sie Schmiermittel fühlen können oder falls Ihre Fingerspitzen glänzen, ist genügend Schmierung am Laufband vorhanden.
    - Falls Sie kein Schmiermittel mit Ihren Fingerspitzen fühlen können oder falls die Fingerspitzen staubig und rau sind, tragen Sie Schmiermittel (15-20 ml) in der Mitte des Laufwerks unter dem Laufband auf und lassen Sie das Gerät mit ca. 5 km/h mindestens 5 Minuten lang laufen.
    - Klappen Sie das Gerät nach der Schmierung erst zusammen, wenn Sie ca. 20 Minuten lang bei einer Geschwindigkeit von mindestens 5 km/h ein Training durchgeführt haben. Das Schmiermittel verteilt sich gleichmäßig über das Laufband.

### Bandstaub

Dies kommt bei normalem Einlaufen oder bei der Bandstabilisierung vor. Wischen Sie ihn mit einem feuchten Tuch auf.

### Allgemeine Reinigung

Dreck, Staub und Tierhaare können die Ventilation verstopfen und sich auf dem Band sammeln. Monatlich: Unter dem Laufband staubsaugen. Zweimal im Jahr sollte die schwarz Motorabdeckung entfernt und gesaugt werden. VOR DER REINIGUNG STROMKABEL ABZIEHEN.

### Gurteinstellungen

Die Einstellung wird an der hinteren Rolle vorgenommen. Die Einstellungsschrauben befinden sich am Ende der Schienen in den Endkappen.

- Ziehen Sie die hinteren Rollenschrauben (im Uhrzeigersinn) soweit fest, dass ein Abrutschen von der vorderen Rolle verhindert wird. Drehen Sie beide Laufband-Zugspannungseinstellungsschrauben stufenweise um 1/4-Umdrehung und überprüfen Sie jeweils die

Zugspannung, indem Sie bei geringer Geschwindigkeit auf dem Band laufen. Das Band sollte nicht verrutschen. Ziehen Sie die Schrauben soweit an, dass das Band nicht mehr verrutscht.

- Wenn Sie das Gefühl haben, dass das Band genügend gespannt ist, aber immer noch verrutscht, könnte die Ursache ein loses Motorantriebsband unter der vorderen Abdeckung sein.
- Nicht Überspannen  
Eine Überspannung führt zu Schäden am Band und vorzeitigem Verschleiß der Lager.

### Laufbandspureinstellung:

Die Leistung Ihres Laufbands hängt davon ab, dass es auf einer geraden Oberfläche läuft. Wenn der Rahmen nicht gerade ist, können die vorderen und hinteren Rollen nicht parallel laufen und das Band muss immer nachgestellt werden.

Das Laufband wurde so entwickelt, dass das Band immer in der Mitte läuft. Bei einigen Bändern ist es normal, dass das Band zu einer Seite zieht, wenn keine Person darauf läuft. Nach ein paar Minuten der Nutzung sollte sich das Band von alleine zentriert haben. Wenn der Gurt bei der Nutzung zu einer Seite zieht, muss dies eingestellt werden.

### AUSNAHME:

In der Reha, bei der Benutzer ein Bein stärker belasten als das andere, kann es vorkommen, dass das Band zu einer Seite zieht. In diesen Fällen sollten Sie das Band nicht einstellen, es sei denn, das Band verläuft bei normaler Nutzung nicht mehr zentral.

### Einstellung der laufbandspur (Abb. F-5)

Für die hintere Rolle wird ein 10 mm-Inbusschlüssel benötigt. Spureinstellungen müssen von der linken Seite erfolgen. Stellen Sie die Bandgeschwindigkeit auf etwa 3 bis 5 km/h ein.

Denken Sie daran, dass eine kleine Änderung große Folgen haben kann!

Drehen Sie die Schraube im Uhrzeigersinn, um das Band nach rechts zu ziehen. Drehen Sie gegen den Uhrzeigersinn, zieht das Band nach links. Drehen Sie die Schraube nur etwa 1/4 Umdrehung und warten Sie ein paar Minuten, bis sich das Band selbst nachführt. Machen Sie eine weitere 1/4-Umdrehung, bis sich das Band in der Mitte der Lauffläche stabilisiert.

Das Band muss möglicherweise regelmäßig nachgestellt werden, je nach Nutzungs- und Laufverhalten. Verschiedene Benutzer wirken unterschiedlich auf das Band. Sie müssen das Band so einstellen, dass es in der Mitte der Fläche verläuft. Die Einstellungen werden im Laufe der Nutzung weniger aufwändig. Eine richtige Bandspurführung liegt in der Verantwortung des Besitzers.

### ⚠️ HINWEIS

- Schäden am laufband durch fehlerhafte spur-/ zugeinstellungen, sind nicht von der garantie abgedeckt.

## Betriebs- störungen

Trotz kontinuierlicher Qualitätsüberwachung können vereinzelt an den Geräten durch einzelne Komponenten verursachte Funktionsstörungen auftreten. Dabei ist es nicht angebracht, das ganze Gerät zur Reparatur zu bringen, da der Fehler meistens durch Austauschen der defekten Komponente behoben werden kann.

Wenn das Gerät während des Gebrauchs nicht einwandfrei funktioniert, wenden Sie sich bitte umgehend an die für Sie zuständige Tunturi- Alleinvertretung. Beschreiben Sie das Problem, die Einsatzbedingungen und teilen Sie das Kaufdatum und die Typenbezeichnung und die Seriennummer Ihres Gerätes mit.

Wenden Sie sich an Ihre nationale Tunturi-Vertretung, wenn Sie Ersatzteile benötigen. Beschreiben Sie die Einsatzbedingungen und teilen Sie das Kaufdatum und die Seriennummer des Gerätes mit. Die

Ersatzteilnummern finden Sie in der Liste am Ende dieser Anweisung. Nur Teile in der Ersatzteilliste dürfen verwendet werden.

## Metrische/angelsächsische Einstellung

Wenn die Display-Geschwindigkeit nicht den Erwartungen entspricht, ist das Gerät evtl. nicht richtig eingestellt.

Metrisch: Min./ Max. Geschwindigkeit  
0.8 Km/h/ 22.0 km/h.

Angelsächsisch: Min./ Max. Geschwindigkeit  
0.5 Mls/h/ 13.7 Mls/h.

## Einheiten ändern

Lösen Sie den Sicherheitsschalter. (An der Konsole wird E7 angezeigt) Halten Sie die Tasten „Prog“ & „Mode“ 3 Sekunden lang gedrückt.

An der Konsole wird Folgendes kurz angezeigt:

- 0.5 Bei Wechsel in den angelsächsischen Modus.
- 0.8 Bei Wechsel in den Metrische Modus.

Bringen Sie den Sicherheitsschalter wieder in Position.

## Fehlercodes

Falls in der Anzeige ein Fehlercode erscheint (durch "E" + Nummer erkennbar), starten Sie das Gerät neu und prüfen Sie, ob in der Anzeige der Fehlercode immer noch steht. Falls in der Anzeige der Fehlercode immer noch steht, wenden Sie sich unverzüglich an Ihren Händler.

### HINWEIS

- E7 ist kein Fehlercode, siehe "Sicherheitsschlüssel"

## Transport und Lagerung

### WARNUNG

- Ziehen Sie vor der Reinigung und Wartung den Netzstecker aus der Wandsteckdose.
- Tragen und bewegen Sie das Gerät mit mindestens zwei Personen.
- Vergewissern Sie sich, dass sich keine Personen oder Gegenstände unter dem Gerät befinden.
- Vergewissern Sie sich beim Zusammenklappen des Geräts, dass Sie hören, wie das Gerät in seiner Position arretiert, um zu verhindern, dass das Gerät zurückfällt.

### VORSICHT

- Vergewissern Sie sich vor dem Zusammenklappen des Geräts, dass die Steigung 0% beträgt. Beträgt die Steigung nicht 0%, wird der Mechanismus beim Zusammenklappen beschädigt.
- Bewegen Sie das Gerät wie angegeben (Abb. F3). Bewegen Sie das Gerät und setzen Sie es vorsichtig ab. Stellen Sie das Gerät auf eine schützende Unterlage, um Schäden am Bodenbelag zu vermeiden. Bewegen Sie das Gerät vorsichtig über unebene Böden. Bewegen Sie das Gerät nicht auf den Rädern Treppen herauf, sondern tragen Sie es an den Handgriffen.
- Lagern Sie das Gerät in aufrechter Position (Abb. F1). Lagern Sie das Gerät an einem trockenen Ort mit möglichst wenig Temperaturschwankungen.

## Zusätzliche Informationen

### Verpackungsentsorgung

Staatliche Vorschriften sagen, dass wir die in Deponien entsorgen Abfallmengen verringern sollen. Daher bitten wir Sie, den gesamten Verpackungsabfall an öffentlichen Recyclingstellen abzugeben

## Entsorgung am ende der Lebensdauer

Wir bei Tunturi hoffen, dass Sie Ihren Fitnesstrainer viele Jahre mit Freude nutzen werden. Jedoch wird irgendwann die Zeit kommen, wenn die Ende der Nutzungsdauer des Fitnesstrainers erreicht ist. Gemäß den europäischen WEEE-Gesetzen sind Sie für eine geeignete Entsorgung des Fitnesstrainers bei einer anerkannten öffentlichen Entsorgungsstelle verantwortlich.

## Technische Daten

| Parameter                   | Maßeinheit | Wert             |
|-----------------------------|------------|------------------|
| Netzspannung                | VAC        | 210 ~ 240        |
| Netzfrequenz                | HZ         | 50 ~ 60          |
| Motor                       | PS         | 2.5<br>5.5 Max.  |
| Geschwindigkeit             | Km/H       | 0.8 ~ 22.0       |
| Geschwindigkeit             | Mph        | 0.5 ~ 13.7       |
| Steigung                    | Schritt    | 0 ~ 15           |
| Länge<br>(zusammengeklappt) | Cm         | 193.0<br>(137.0) |
| Länge<br>(zusammengeklappt) | Inch       | 76.0<br>(53.9)   |
| Breite                      | Cm         | 82.5             |
| Breite                      | Inch       | 32.5             |
| Höhe<br>(zusammengeklappt)  | Cm         | 149.0<br>(155.0) |
| Höhe<br>(zusammengeklappt)  | Inch       | 58.7<br>(61.0)   |
| Gewicht                     | Kg         | 117.0            |
| Gewicht                     | Lbs        | 257.9            |
| Max. Benutzergewicht        | Kb         | 150              |
| Max. Benutzergewicht        | Lbs        | 330              |
| HR-Empfänger                | Khz        | 5.3 Khz          |

## Herstellereklärung

Tunturi New Fitness BV erklärt hiermit, dass das Produkt folgenden Normen und Richtlinien entspricht: EN 957 (HA), 89/336/EWG. Das Produkt trägt daher das CE-Kennzeichen.

12-2019

Tunturi New Fitness BV  
Purmerweg 1  
1311 XE Almere  
The Netherlands

## Haftungsausschluss

© 2019 Tunturi New Fitness BV  
Alle Rechte vorbehalten.

Produkt und Handbuch können geändert werden. Die technischen Daten können ohne Vorankündigung geändert werden.

## Français

Ce manuel français est une traduction de la version anglaise. Notez que la version anglaise est en tête dans le contenu lorsque des différences sont trouvées.

## Indice

|   |           |
|---|-----------|
| <b>Tapis de course</b> .....                        | <b>35</b> |
| <b>Avertissements de sécurité</b> .....             | <b>35</b> |
| Sécurité électrique .....                           | 35        |
| <b>Instructions de montage</b> .....                | <b>36</b> |
| Description (fig. A) .....                          | 36        |
| Contenu de l'emballage (fig. B&C) .....             | 36        |
| Assemblage (fig. D) .....                           | 36        |
| Accessoires (fig. H) .....                          | 36        |
| <b>Exercices</b> .....                              | <b>36</b> |
| Instructions d'entraînement .....                   | 36        |
| Fréquence cardiaque .....                           | 37        |
| <b>Usage</b> .....                                  | <b>38</b> |
| <b>Interface de l'utilisateur (fig. E-1)</b> .....  | <b>38</b> |
| Boutons .....                                       | 38        |
| Explication des éléments d'affichage (Fig. H) ..... | 39        |
| Fonction USB .....                                  | 39        |
| <b>Programmes</b> .....                             | <b>39</b> |
| Quick start (démarrage rapide) .....                | 39        |
| Mode compte à rebours cible (P0) .....              | 39        |
| Fin de l'entraînement .....                         | 39        |
| Programmes pré-réglés (P1-P36) .....                | 39        |
| Programmes d'utilisateur (U01-U03) .....            | 40        |
| Body Fat .....                                      | 40        |
| Programme HRC (contrôle du rythme cardiaque) .....  | 40        |
| Fonction ERP .....                                  | 41        |
| Bluetooth & APP .....                               | 41        |
| <b>Garantie</b> .....                               | <b>41</b> |
| <b>Nettoyage et maintenance</b> .....               | <b>41</b> |
| Tapis et surface .....                              | 42        |
| Lubrification (fig. F-4) .....                      | 42        |
| <b>Defauts de fonctionnement</b> .....              | <b>42</b> |
| Système métrique/impérial .....                     | 43        |
| Codes d'erreur .....                                | 43        |
| <b>Transport et rangement</b> .....                 | <b>43</b> |
| Informations supplémentaires .....                  | 43        |
| <b>Données techniques</b> .....                     | <b>43</b> |
| <b>Déclaration du fabricant</b> .....               | <b>43</b> |
| <b>Limite de responsabilité</b> .....               | <b>43</b> |

## Tapis de course

Bienvenue dans l'univers de Tunturi Fitness !

Merci pour votre achat de cet élément d'équipement Tunturi. Tunturi offre toute une gamme d'équipements de fitness professionnels, notamment des vélos elliptiques, tapis de course, vélos d'appartement, rameurs et accessoires. Les équipements Tunturi sont parfaits pour toute la famille, quel que soit le niveau de forme de ses membres. Pour en savoir plus, visitez notre site Web [www.tunturi.com](http://www.tunturi.com)

### Consignes de sécurité importantes

Lisez attentivement ce mode d'emploi avant d'assembler, d'utiliser ou d'effectuer l'entretien de votre appareil sportif. Veuillez conserver ce guide, il contient les renseignements dont vous aurez besoin, maintenant et plus tard, pour utiliser et entretenir votre appareil. Suivez toujours les instructions très rigoureusement.

## Avertissements de sécurité

### ⚠ AVERTISSEMENT

- Lisez les avertissements de sécurité et les instructions. Le non respect des avertissements de sécurité et des instructions est une source de blessure et de dégâts de l'équipement. Conservez les avertissements de sécurité et les instructions pour référence ultérieure.

### ⚠ AVERTISSEMENT

- Les systèmes de suivi de la fréquence cardiaque peuvent être inexacts. Un exercice excessif peut entraîner des blessures graves voire mortelles. Si vous vous sentez défaillir, interrompez immédiatement l'exercice.
- L'équipement est adapté à un usage domestique et professionnel uniquement (par ex. hôpitaux, caserne de pompiers, hôtels, écoles, etc.). La durée d'utilisation maximum est limitée à 6 heures par jour. L'équipement n'est pas adapté à un usage commercial complet (par ex. grands centres de gym).
- L'emploi de cet équipement par des enfants ou des personnes affectés d'un handicap physique, sensoriel, mental ou moteur, voire dont l'expérience ou les connaissances s'avèrent insuffisantes est une source de risques. Les personnes chargées de leur sécurité doivent leur fournir des instructions explicites ou superviser leur usage de l'équipement.
- Avant de commencer vos exercices, effectuez un bilan de santé auprès d'un médecin.
- Si vous êtes pris de nausées ou de vertiges ou sentez d'autres symptômes normaux pendant l'entraînement, interrompez immédiatement la session et consultez votre médecin.
- Afin d'éviter toutes douleurs et tensions musculaires, commencez vos séances par des échauffements et terminez-les par une récupération. N'oubliez pas de vous étirer après vos exercices.
- L'équipement est uniquement adapté à un usage intérieur. L'équipement ne convient pas à un usage extérieur.
- Utilisez l'équipement uniquement dans des environnements correctement ventilés. N'utilisez pas l'équipement dans des endroits exposés aux courants d'air afin de ne pas vous enrhumier.
- Utilisez l'équipement uniquement à une température ambiante entre 10 °C~35 °C. Rangez l'équipement uniquement à une température ambiante entre 5 °C~45 °C.
- N'utilisez et ne rangez pas l'équipement dans un environnement humide. L'humidité de l'air ne doit jamais dépasser 80 %.
- Utilisez l'équipement uniquement pour son usage prévu. N'utilisez pas l'équipement pour d'autres usages que ceux décrits dans le manuel.
- N'utilisez pas l'équipement si l'une de ses pièces est endommagée ou défectueuse. Si une pièce est endommagée ou défectueuse, contactez votre revendeur.
- Maintenez vos mains, vos pieds et les autres parties de votre corps à l'écart des pièces mobiles.
- Maintenez votre chevelure à l'écart des pièces mobiles.
- Portez des vêtements et des chaussures adaptés.
- Maintenez les vêtements, bijoux et autres objets à l'écart des pièces mobiles.
- Assurez-vous qu'une seule personne utilise l'équipement à la fois. L'équipement ne doit pas être utilisé par des personnes pesant plus de 150 kg (330 lbs).
- N'ouvrez pas l'équipement sans consulter votre revendeur.

### Sécurité électrique

(Uniquement pour les équipements à alimentation électrique)

- Avant usage, assurez-vous toujours que la tension secteur est identique à celle de la plaque signalétique de l'équipement.
- N'utilisez pas de rallonge.
- Maintenez le câble secteur à l'écart de la chaleur, de l'huile et des bords coupants.



- N'altérez et ne modifiez aucunement le câble secteur ou la fiche secteur.
- N'utilisez pas l'équipement si le câble secteur ou la fiche secteur est endommagé ou défectueux. Si le câble secteur ou la fiche secteur est endommagé ou défectueux, contactez votre revendeur.
- Déroulez toujours complètement le câble secteur.
- Ne passez pas le câble secteur sous l'équipement. Ne passez pas le câble secteur sous un tapis. Ne placez aucun objet sur le câble secteur.
- Assurez-vous que le câble secteur ne pend pas sur le bord d'une table. Assurez-vous que le câble secteur ne peut pas être happé par accident ou faire trébucher.
- Ne laissez pas l'équipement sans surveillance si la fiche secteur est insérée dans la prise murale.
- Ne tirez pas sur le câble secteur pour retirer la fiche secteur de la prise murale.
- Retirez la fiche secteur de la prise murale lorsque l'équipement n'est pas utilisé, avant l'assemblage et le démontage et avant le nettoyage et la maintenance.

### ⚠ AVERTISSEMENT

- Une variation de tension d'au moins dix pour cent (10 %) peut avoir une incidence sur les performances du tapis de course. De telles conditions ne sont pas couvertes par votre garantie. Si vous avez l'impression que la tension est trop basse, vous devez contacter votre compagnie d'électricité ou un électricien qualifié pour tester le circuit électrique.

### ⚠ AVERTISSEMENT

- NE JAMAIS utiliser une prise murale équipée d'un interrupteur différentiel (RCD - Residual Current Device – version U.S. = GFCI) avec ce tapis de course. Comme avec n'importe quel appareil équipé d'un moteur puissant, le dispositif RCD / GFCI se déclenche souvent. Eloignez de câble d'alimentation de toute pièce mobile du tapis de course, y compris du mécanisme d'inclinaison et des roulettes destinées au transport.

### Instructions de mise à la terre

Ce produit doit être mis à la terre. Si le système électrique du tapis de course présente une défaillance ou une panne, sa mise à la terre fournit un chemin de moindre résistance au courant électrique, réduisant ainsi le risque de décharge électrique. Ce produit est équipé d'un câble pourvu d'une fiche de terre. Cette fiche doit être branchée dans une prise appropriée, correctement installée et mise à la terre conformément aux normes et règlements locaux.

### ⚠ AVERTISSEMENT

- Un branchement inadéquat du conducteur de terre peut entraîner des risques de décharge électrique. Veuillez consulter un électricien qualifié si vous avez des doutes sur la mise à la terre du produit selon les règles. Ne modifiez pas la fiche fournie avec le produit lorsqu'elle n'entre pas dans la prise ; faites installer une prise adéquate par un électricien qualifié.

## Instructions de montage

### Description (fig. A)

Votre tapis de course est un élément d'équipement de fitness stationnaire servant à imuler la marche ou la course sans exercer de pression excessive sur les jointures.

### Contenu de l'emballage (fig. B&C)

- L'emballage contient les pièces illustrées en fig. B.
- L'emballage contient les fixations illustrées en fig. C. Voir la section "Description".

### 📌 NOTE

- Si une pièce manque, contactez votre revendeur.

## Assemblage (fig. D)

### ⚠ AVERTISSEMENT

- Assemblez l'équipement dans l'ordre indiqué.
- Deux personnes au moins sont nécessaires pour transporter et déplacer l'équipement.

### ⚠ PRÉCAUTION

- Placez l'équipement sur une surface plane et ferme.
- Placez l'équipement sur une base protectrice pour éviter d'endommager la surface du sol.
- Prévoyez un dégagement d'au moins 100 cm autour de l'équipement.

- Consultez les illustrations pour l'assemblage correct de l'équipement.

## Accessoires (fig. H)

### 📌 REMARQUE

- L'illustration montrée montre à quoi le formateur ressemblera avec les mains courantes étendues appropriées.
- Les mains courantes supplémentaires peuvent être achetées en tant qu'accessoires.
- Article nr: 19TRNRH000

Contactez votre revendeur pour plus d'informations.

## Exercices

Un exercice doit être suffisamment léger mais prolongé. L'exercice aérobique repose sur l'amélioration de l'absorption maximum d'oxygène par le corps, améliorant à son tour l'endurance et la forme. Vous devez transpirer mais sans jamais être à bout de souffle durant l'exercice.

Pour atteindre et entretenir un niveau de forme basique, exercez-vous au moins 3 fois par semaine, par session de 30 minutes. Accroissez le nombre des sessions d'exercice pour améliorer votre niveau de forme. Il est profitable de combiner un exercice régulier et un régime sain. Une personne suivant un régime doit s'exercer au quotidien, au début 30 minutes ou moins pour chaque session afin d'accroître ensuite progressivement le temps d'exercice quotidien pour atteindre une heure. Commencez vos exercices à une vitesse lente et avec une faible résistance pour éviter de soumettre le système cardiovasculaire à une contrainte excessive. À mesure de l'amélioration de votre forme, accroissez progressivement la vitesse et la résistance. L'efficacité de votre exercice est mesurable en suivant votre fréquence cardiaque et votre pouls.

## Instructions d'entraînement

L'utilisation de votre appareil de fitness vous procurera plusieurs avantages : il vous permettra d'améliorer votre forme physique, de tonifier vos muscles et, associé à un régime hypocalorique, de perdre du poids.

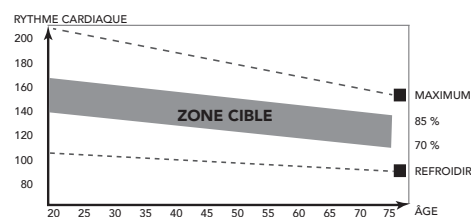
### Phase d'échauffement

Cette étape favorise la circulation du sang dans tout le corps et le bon fonctionnement des muscles. Elle réduit également le risque de crampes et de lésions musculaires. Il est conseillé de faire quelques exercices d'étirement, comme ceux qui sont indiqués ci-dessous. Chaque étirement doit être maintenu pendant environ 30 secondes. Ne forcez pas ou n'étirez pas excessivement un muscle. Si vous sentez qu'une position vous fait mal, ARRÊTEZ.

### Phase d'exercice

C'est l'étape principale de votre entraînement. Après une utilisation régulière de l'appareil, vous sentirez que les muscles de vos jambes ont gagné en souplesse. Il est très important de maintenir un rythme régulier tout au long de la séance. Le rythme de travail doit être

suffisant pour faire monter votre rythme cardiaque dans la zone cible indiquée sur le graphique ci-dessous.



Cette étape doit durer au moins 12 minutes, bien que l'on commence généralement à environ 15-20 minutes.

### Phase de refroidissement

Cette étape a pour objectif de laisser votre système cardiovasculaire et vos muscles reprendre leur rythme normal. Il s'agit d'une répétition de l'exercice d'échauffement. Baissez le rythme et continuez pendant environ 5 minutes. Vous devez ensuite refaire les exercices d'étirement et souvenez-vous de ne pas forcer ou trop étirer un muscle dans une certaine position.

À mesure que vous améliorerez votre forme, vous ressentirez peut-être le besoin de vous entraîner plus longtemps ou de faire des entraînements plus poussés.

Il est conseillé de s'entraîner au moins trois fois par semaine et, si possible, d'espacer les séances régulièrement tout au long de la semaine.

### Tonification musculaire

Pour tonifier vos muscles à l'aide de l'appareil de fitness, vous devrez sélectionner une résistance assez élevée. Les muscles de vos jambes seront davantage sollicités et vous ne pourrez peut-être pas vous entraîner aussi longtemps que vous le voudriez. Si vous souhaitez également améliorer votre forme, vous devrez modifier votre programme d'entraînement. Entraînez-vous normalement pendant les phases d'échauffement et de refroidissement, mais vers la fin de l'exercice, augmentez la résistance en faisant travailler vos jambes davantage. Vous devrez réduire la vitesse pour maintenir votre rythme cardiaque dans la zone cible.

### Perte de poids

Ici, le facteur important est l'effort que vous déployez. Plus vous entraînez longtemps et de manière soutenue, plus vous brûlerez de calories. C'est en réalité le même principe que pour l'entraînement d'amélioration de la forme ; la différence est l'objectif recherché.

## Fréquence cardiaque

### Mesure du pouls (pulsomètres)

Le pouls est mesuré par des capteurs dans les poignées lorsque l'utilisateur touche les deux capteurs à la fois.

La mesure la plus précise du pouls nécessite une peau légèrement humide et un contact constant des pulsomètres. Si la peau est trop sèche ou humide, la mesure du pouls peut devenir moins précise.

#### REMARQUE

- N'utilisez pas les pulsomètres en même temps que la sangle thoracique de fréquence cardiaque.
- Si vous réglez une fréquence cardiaque limite pour votre exercice, une alarme retentit dès qu'elle est dépassée.

### Mesure de la fréquence cardiaque (sangle thoracique de fréquence cardiaque)

#### NOTE

- Une sangle de poitrine ne vient pas standard avec cet entraîneur. Lorsque vous souhaitez utiliser une sangle de poitrine sans fil, vous devez l'acheter en tant qu'accessoire.

La sangle thoracique de fréquence cardiaque assure la mesure de fréquence cardiaque la plus précise. La fréquence cardiaque est mesurée par un récepteur combiné à la sangle thoracique de

fréquence cardiaque. Une mesure précise de la fréquence cardiaque nécessite des électrodes de sangle émettrice légèrement humides et en contact constant avec la peau. Si les électrodes sont trop sèches ou humides, la mesure de la fréquence cardiaque peut devenir moins précise.

#### AVERTISSEMENT

- Si vous portez un stimulateur cardiaque, consultez votre médecin avant d'utiliser une sangle thoracique de fréquence cardiaque.

#### PRÉCAUTION

- Si plusieurs dispositifs de mesure de la fréquence cardiaque sont proches les uns des autres, assurez-vous qu'ils sont au moins distants de 2 mètres.
- En présence d'un récepteur unique de fréquence cardiaque pour plusieurs émetteurs, assurez-vous qu'une seule personne avec un émetteur est à portée de transmission.

#### NOTE

- N'utilisez pas les pulsomètres en même temps que la sangle thoracique de fréquence cardiaque.
- Portez toujours la sangle thoracique de fréquence cardiaque sous vos vêtements, en contact direct avec votre peau. Ne portez pas votre sangle thoracique de fréquence cardiaque par-dessus vos vêtements. Si vous portez la sangle thoracique de fréquence cardiaque sur vos vêtements, il n'y a pas de signal.
- Si vous réglez une fréquence cardiaque limite pour votre exercice, une alarme retentit dès qu'elle est dépassée.
- L'émetteur transmet la fréquence cardiaque à une console jusqu'à une distance de 1,5 mètre. Si les électrodes ne sont pas suffisamment mouillées, votre fréquence cardiaque ne s'affiche pas.
- Certaines fibres des vêtements (par ex. polyester, polyamide) créent de l'électricité statique qui peut empêcher la mesure précise de la fréquence cardiaque.
- Les téléphones portables, télévisions et autres appareils électriques créent un champ électromagnétique susceptible d'empêcher une mesure précise de la fréquence cardiaque.

### Fréquence cardiaque maximum (durant l'exercice)

La fréquence cardiaque maximum est la fréquence la plus élevée qu'une personne peut atteindre en toute sécurité sous la contrainte de l'exercice. La formule suivante sert à calculer la fréquence cardiaque maximum moyenne :  $220 - \text{ÂGE}$ . La fréquence cardiaque maximum varie d'une personne à l'autre.

#### AVERTISSEMENT

- Assurez-vous de ne pas dépasser votre fréquence cardiaque maximum durant l'exercice. Si vous appartenez à un groupe à risque, consultez un médecin.

### Débutant

#### 50-60% de fréquence cardiaque maximum

Adapté aux débutants, aux personnes suivant leur poids, aux convalescents et aux personnes ne s'exerçant pas depuis un certain temps. Exercez-vous au moins trois fois par semaine, par session de 30 minutes.

### Avancé

#### 60-70% de fréquence cardiaque maximum

Adapté aux personnes souhaitant améliorer et entretenir leur forme. Exercez-vous au moins trois fois par semaine, par session de 30 minutes.

### Expert

#### 70-80% de fréquence cardiaque maximum

Adapté aux personnes les plus en forme, habituées aux exercices d'endurance prolongés.



## Usage

### Interrupteur d'alimentation principale (fig. E-2A)

L'équipement comporte un interrupteur d'alimentation principale pour le mettre complètement hors tension.

### Démarrage de l'équipement:

- Insérez la fiche secteur dans l'équipement.
- Insérez la fiche secteur dans la prise murale.
- Positionnez l'interrupteur d'alimentation principale sur marche (ON).

### Arrêt de l'équipement :

- Positionnez l'interrupteur d'alimentation principale sur arrêt (OFF).
- Retirez la fiche secteur de la prise murale.
- Retirez la fiche secteur de l'équipement.

### Clé de sécurité (Fig F-4)

L'équipement comporte une clé de sécurité qui doit être correctement insérée dans la console pour démarrer l'équipement. Si vous retirez la clé de sécurité de la console, l'équipement s'arrête immédiatement.

- Insérez la clé de sécurité dans la fente de la console.
  - Assurez-vous que le clip de la clé de sécurité est bien fixé à vos vêtements.
- Assurez-vous que le clip n'est pas retiré de vos vêtements avant que la clé de sécurité ne soit retirée de la console.

### REMARQUE

- La console affichera le code E7 lorsque la clé de sécurité n'est pas en position pendant le démarrage.

### Disjoncteur (Fig. E-2B)

L'équipement comporte un disjoncteur qui coupe le circuit d'alimentation si la charge électrique dépasse la capacité maximum. En ce cas, vous devez appuyer sur le disjoncteur.

### AVERTISSEMENT

- Avant d'appuyer sur le disjoncteur, retirez la fiche secteur de l'équipement.

Si l'équipement s'arrête, procédez comme suit pour le redémarrer :

- Retirez la fiche secteur de l'équipement.
- Appuyez sur le disjoncteur pour redémarrer l'équipement.
- Insérez la fiche secteur dans l'équipement.

### REMARQUE

- Certains disjoncteurs utilisés dans des habitations ne sont pas conçus pour les appels de courant importants qui peuvent se produire lors de la mise en marche d'un tapis de course, voire pendant une utilisation normale. Si votre tapis de course déclenche le disjoncteur (même si la tension est correcte et si le tapis est le seul appareil branché sur le circuit), mais si le disjoncteur du tapis de course ne se déclenche pas, vous devez remplacer le disjoncteur par un type conçu pour des appels de courant importants. Il ne s'agit pas d'un défaut de garantie. C'est une situation qui échappe à notre contrôle en tant que fabricant.

### Déplier et plier l'équipement (fig. F1-F2)

L'équipement peut être déplié pour son usage (fig. F1) puis replié pour son transport et son rangement (fig. F2). Consultez les illustrations pour déplier et plier correctement l'équipement.

### PRÉCAUTION

- Assurez-vous que l'inclinaison du tapis est de 0 avant de plier le plateau. Si l'inclinaison n'est pas de 0, le mécanisme sera endommagé lors du pliage.

### Réglage des pieds de support

L'équipement comporte 4 pieds de support. Si l'équipement est instable, vous pouvez régler les pieds de support.

- Tournez les pieds de support, selon les besoins, pour placer l'équipement en position stable.
- Serrez les écrous d'arrêt pour bloquer les pieds de support.

### NOTE

- La stabilité de la machine est maximisée lorsque tous les pieds de support sont complètement tournés vers l'intérieur. Vous devez donc commencer à mettre la machine de niveau en tournant tous les pieds de support vers l'intérieur avant de sortir les pieds de support requis pour stabiliser la machine

## Interface de l'utilisateur (fig. E-1)

### PRÉCAUTION

- Maintenez la console à l'écart de la lumière directe du soleil.
- Séchez la surface de la console dès qu'elle est couverte de gouttes de sueur.
- Ne vous appuyez pas sur la console.
- Touchez l'affichage uniquement avec le bout du doigt. Assurez-vous de ne pas toucher l'affichage avec vos ongles ou des objets coupants.

### NOTE

- La console passe en mode de veille si l'équipement n'est pas utilisé pendant 4 minutes.

## Boutons

### Stop/Reset

- Appuyez une fois, il arrête votre entraînement/le tapis en douceur.
- Appuyez deux fois, il arrête votre entraînement/le tapis plus rapidement.
- Réinitialisez la console en poussant et en continuant à appuyer 2 secondes en "mode arrêt"

### Start/Pause

- Commencez l'entraînement sélectionné ou relancez l'entraînement en pause quand vous êtes en mode pause.
- Mettez votre entraînement actif en pause.

### Prog

- Appuyez pour parcourir les options de programme. (P0/ P1~P36/ U01~U03/ HRC1~HRC3/ FAT)

### Mode

- Parcourir les paramètres de définition des objectifs en mode programmation.
- Réinitialiser la durée cible lors de la définition de l'objectif de temps pour les programmes « P1-P36 ».

### Speed +

- Augmente la vitesse (0.8 ~ 22.0 km/h).
- En appuyant une fois la vitesse augmente de 0.1 km/h.
- En appuyant et en maintenant le bouton enfoncé pendant deux secondes, la vitesse augmentera plus rapidement.
- Parcourez les programmes et changez les valeurs en mode programmation.

### Speed -

- Diminue la vitesse (0.8 ~ 22.0 km/h).
- En appuyant une fois, la vitesse diminue de 0.1 km/h.
- En appuyant et en maintenant le bouton enfoncé pendant deux secondes, la vitesse diminuera plus rapidement.
- Parcourez les programmes et changez les valeurs en mode programmation.

**Touches de raccourci de vitesse :**

Les touches de raccourci de vitesse sont : 6, 9, 12.

Par exemple, la vitesse passera de n'importe quelle vitesse à 9 km/h si l'utilisateur appuie sur la touche de raccourci de vitesse 9.

**Touches d'accès rapide vitesse sur le guidon :**

- + identique à Speed +.
- - Identique à Speed -.

**Incline +**

- Augmente l'inclinaison 0 ~ 15 +1).
- Parcourez les programmes et changez les valeurs en mode programmation.

**Incline -**

- Diminue l'inclinaison (0 ~ 15 -1).
- Parcourez les programmes et changez les valeurs en mode programmation.

**Touches de raccourci d'inclinaison.**

Les touches de raccourci d'inclinaison sont : 0, 5, 10.

Par exemple, le niveau d'inclinaison passera de n'importe quelle inclinaison à 5 si l'utilisateur appuie sur la touche de raccourci d'inclinaison 5.

**Touches d'accès rapide inclinaison sur le guidon :**

- + : Identique à Incline +.
- - : Identique à Incline -.

**Explication des éléments d'affichage (Fig. H)****Vitesse**

- Montre la vraie vitesse du tapis de course en mode entraînement.
- Montre la vitesse à atteindre en mode programmation.
- Montre la sélection de programmes en étant en mode programmation.

**Pente**

- Montre la vraie inclinaison du tapis de course en mode entraînement.
- Montre l'inclinaison à atteindre en mode programmation.

**Distance**

- Montre la distance courue en mode entraînement.
- Montre la distance qu'il reste à courir en mode entraînement avec décompte.
- Montre la distance à atteindre en mode programmation.

**Durée**

- Montre la durée courue en mode entraînement.
- Montre la durée qu'il reste à courir en mode entraînement avec décompte.
- Montre le temps à atteindre en mode programmation.

**Steps**

La console est capable de compter le nombre de pas pendant votre entraînement, en gardant votre vitesse supérieure à 3.0 km/h, **et le poids de l'utilisateur est d'au moins 40 kg.**

**Cœur**

- Montre le rythme cardiaque en mode entraînement, ou « P » lorsqu'aucun rythme cardiaque n'est mesuré.

**Calories**

- Montre les calories brûlées en mode entraînement.
- Montre les calories qu'il reste à brûler en mode entraînement avec décompte.
- Montre les calories brûlées à atteindre en mode programmation.

**REMARQUE**

- Ces données sont fournies à titre indicatif pour comparer différentes séances d'entraînement. Elles ne doivent pas être utilisées dans le cadre d'un traitement médical.

**REMARQUE**

- L'affichage Durée/Pas, Cœur/Inclinaison et Calories/Distance contrôle toutes les 5 secondes.

**Fonction USB**

L'utilisateur peut connecter son dispositif pour le recharger pendant son entraînement.

Tension/ courant: 5VDC/ 1.0 Amp

**Programmes****Quick start (démarrage rapide)**

- Appuyez sur le bouton « Start/Pause » pour commencer votre entraînement sans configurer aucun paramètre au préalable.
- Le tapis de course commencera à la vitesse minimum de 0.8 Km/h et gardera le paramètre d'inclinaison actuel configuré.
- Ajustez manuellement la vitesse/pente à tout moment pour modifier votre entraînement, et arrêtez/interrompez quand vous voulez.

**Mode compte à rebours cible (P0)**

La machine doit être en mode démarrage pour accéder au mode compte à rebours.

Appuyez et maintenez le bouton « Stop/Reset » pendant 2 secondes pour mettre le tapis de course en mode de démarrage.

- Appuyez sur le bouton « Mode » pour sélectionner le mode compte à rebours cible :
  - Mode d'entraînement 1 : Durée cible.  
Utilisez les touches « Speed/ Incline + et - » pour ajuster la valeur. 30:00 min. par défaut. Plage 5:00~95:00 ± 1:00.
  - Mode d'entraînement 2 : Distance cible.  
Utilisez les touches « Speed/ Incline + et - » pour ajuster la valeur. 1,00 km par défaut. Plage 1,00-99,00 ± 1,0.
  - Mode d'entraînement 3 : Compte à rebours calories.  
Utilisez les touches « Speed/ Incline + et - » pour ajuster la valeur. 50 par défaut. Plage 20-9990 ± 10.
- Appuyez sur le bouton « Start/ Pause » pour commencer votre entraînement immédiatement quand vous sélectionnez la cible souhaitée.

**REMARQUE**

- Lorsque vous définissez un objectif, l'entraînement s'arrête automatiquement lorsque l'objectif prédéfini est atteint.
- Il est impossible de définir plus d'un objectif.

**Fin de l'entraînement**

- Suspendez à tout moment votre entraînement en appuyant une fois sur le bouton « Start/Pause ».  
L'écran indiquera « PAUS » en étant en mode pause. La durée max. de la pause est de 4,30 min.
- Appuyez sur le bouton « Start/Pause » pour reprendre l'entraînement en étant en mode « PAUS ».
- Appuyez une fois sur le bouton « STOP » pour arrêter l'entraînement.
- Appuyez deux fois sur le bouton « STOP » pour réinitialiser la console.

**Programmes préreçlés (P1-P36)**

L'équipement a 36 programmes préreçlés avec différents profils. (Tableau Fig. G)

- Appuyez sur les boutons « Prog » pour sélectionner le programme « P1-P36 », appuyez sur le bouton « Mode » pour confirmer.

- Configurez votre durée d'entraînement désirée. Utilisez les touches « Speed/ Incline + et - » pour ajuster la valeur. 30:00 min. par défaut. Plage 5:00~95:00 ± 1:00.
- Appuyez sur le bouton « Start/Pause » pour commencer votre entraînement.

## REMARQUE

- La vitesse et l'inclinaison sont contrôlées en fonction du programme sélectionné.
- Un signal sonore avertit l'utilisateur qu'un ajustement de la vitesse et/ou de l'inclinaison va être effectué dans quelques secondes.
- La durée de chaque segment correspond à 1/16 de la durée d'entraînement définie.
- La vitesse et l'inclinaison peuvent être modifiées à tout moment, mais n'affecteront que le segment de profil actif. Le programme suivra à nouveau le profil lorsqu'il passera au segment de profil suivant.

## Programmes d'utilisateur (U01-U03)

L'équipement a 3 programmes d'utilisateur. Chaque programme d'utilisateur peut être modifié en fonction des exigences personnelles. Chaque programme d'utilisateur a 10 étapes. La vitesse et l'inclinaison peuvent être paramétrées pour chaque étape. Chaque étape prend 1/16 de la durée totale.

- Appuyez sur les boutons « Prog » pour sélectionner le programme « U1-U3 ».
- Configurez votre durée d'entraînement désirée. Utilisez les touches « Speed/ Incline + et - » pour ajuster la valeur. 30:00 min. par défaut. Plage 5:00~95:00 ± 1:00.
- Appuyez sur le bouton « Start/Pause » pour commencer votre entraînement.

## Mode de programmation de profil

- Appuyez sur le bouton « Prog » et sélectionnez U-1, U-2 ou U-3.
- Appuyez sur le bouton « Mode » pour ouvrir le mode de programmation de la vitesse pour le premier segment de profil. Configurez vos valeurs de vitesse désirées pour chaque segment du programme en utilisant les touches « Speed + et - » et confirmez le réglage avec le bouton « Mode ».
- Le mode de programmation de la vitesse pour le segment 2 s'ouvre. Programmez la vitesse pour tous les segments comme pour le segment 1.
- Le mode de programmation de l'inclinaison s'ouvre. Configurez vos valeurs d'inclinaison désirées pour chaque segment du programme en utilisant les touches « Incline + et - » et confirmez le réglage avec le bouton « Mode ».
- Le mode de programmation de l'inclinaison pour le segment 2 s'ouvre. Programmez l'inclinaison pour tous les segments comme pour le segment 1.
- Lors de la confirmation du 16e segment, la fenêtre de durée clignotera pour définir la durée d'entraînement souhaitée.
- Maintenez enfoncé le bouton « Mode » pendant 3 secondes pour enregistrer votre profil configuré.
- Configurez votre durée d'entraînement désirée. Utilisez les touches « Speed/ Incline + et - » pour ajuster la valeur. 30:00 min. par défaut. Plage 5:00~95:00 ± 1:00.
- Appuyez sur le bouton « Start/Pause » pour démarrer le programme.

## REMARQUE

- Le profil de programme d'utilisateur configuré sera automatiquement enregistré pour qu'il puisse être réutilisé.

## Body Fat

Le programme de graisse corporelle est destiné à indiquer votre état physique, en se basant sur vos paramètres corporels et votre rythme cardiaque.

- Appuyez sur le bouton « Mode » pour ouvrir le mode de programmation.
- Appuyez sur les boutons « Prog » pour sélectionner le programme « FAT », appuyez sur le bouton « Mode » pour confirmer.
- L'écran indique « F1 » (Sexe). L'écran indique « 1 » Appuyez sur les boutons « Speed/ Incline + et - » pour sélectionner : 1 : Homme/2 : Femme. Appuyez sur le bouton « Mode » pour confirmer.
- L'écran indique « F2 » (Âge). L'écran indique « 25 » Appuyez sur les boutons « Haut/Bas » pour sélectionner : 1-99 appuyez sur le bouton « Mode » pour confirmer.
- L'écran indique « F3 » (Taille). L'écran indique « 170 » cm Appuyez sur les boutons « Haut/Bas » pour sélectionner : 100-220 cm appuyez sur le bouton « Mode » pour confirmer.
- L'écran indique « F4 » (Poids). L'écran indique « 70 » kg Appuyez sur les boutons « Haut/Bas » pour sélectionner : 20-150 kg appuyez sur le bouton « Mode » pour confirmer.
- L'écran indique « F5 » (Actif) Tenez les coussinets de poignée mesurant la fréquence cardiaque pour activer la mesure « FAT ». Le résultat sera montré à l'écran au bout de 5-10 secondes. Voir « Calcul du résultat ».

## ATTENTION

- Il faut tenir les coussinets de poignée mesurant la fréquence cardiaque pour cette fonction.

## Calcul du résultat :

- TYPE CORPOREL : Type corporel : (taux de graisse corporelle; 9 types)
  - MASSE GRASSE 0-17 Poids insuffisant
  - MASSE GRASSE 18-24 Poids normal
  - MASSE GRASSE 28-28 Surpoids
  - MASSE GRASSE 29 et + Obésité.
- BF = Graisse corporelle (en %)
- Le code erreur « ER » s'affichera si aucun rythme cardiaque n'est détecté pendant le processus de mesure de la graisse corporelle.
- Appuyez sur le bouton « Stop/Reset » pour quitter le programme graisse corporelle.

## Programme HRC (contrôle du rythme cardiaque)

Le programme de contrôle du rythme cardiaque est un programme à vitesse contrôlée basé sur votre rythme cardiaque. La vitesse augmentera automatiquement lorsque votre rythme cardiaque sera inférieur à l'objectif, et diminuera quand il sera supérieur à l'objectif.

- Appuyez sur les boutons « Prog » pour sélectionner « HRC »
  - HRC1 : La limite de vitesse minimale configurée est de 8 km/h.
  - HRC2 : La limite de vitesse minimale configurée est de 12 km/h.
  - HRC3 : La limite de vitesse minimale configurée est de 22.0 km/h.
- Programme, appuyez sur le bouton « Mode » pour confirmer.
- Définissez votre âge. L'écran indique « 25 » Appuyez sur les boutons « Haut/Bas » pour sélectionner : 1-99. Appuyez sur le bouton « Mode » pour confirmer.
- La fréquence cardiaque cible est affichée, basée sur l'âge indiqué. Fréquence cardiaque cible =  $(220 - \text{âge}) \times 0,6$ . Appuyez sur les boutons « Haut/Bas » pour modifier la valeur cible (60~200). Appuyez sur le bouton « Mode » pour confirmer.
- Réglez la durée de l'exercice l'écran affiche « 30:00 »



Appuyez sur les boutons « Haut/Bas » pour sélectionner : 5:00-99:00

Appuyez sur le bouton « Mode » pour confirmer.

- Appuyez sur le bouton « Start/Pause » pour démarrer le programme.

### Fonction du programme HRC :

- Les programmes HRC commencent avec un temps d'échauffement d'une minute (la vitesse ne s'ajuste pas automatiquement).
- La vitesse initiale est de 1,0 km/h, ce qui permet de régler manuellement une vitesse de réchauffement confortable.
- La console vérifie la fréquence cardiaque toutes les 30 secondes et contrôle la vitesse comme indiqué ci-dessous

| Rythme cardiaque | paramètre              | ajustement de la vitesse |
|------------------|------------------------|--------------------------|
| 29+ BPM          | Inférieur à l'objectif | + 2,0 km/h               |
| 6-29 BPM         | Inférieur à l'objectif | + 1,0 km/h               |
| 0-5 BPM          | Inférieur à l'objectif | Aucun ajustement         |
| 0-5 BPM          | Supérieur à l'objectif | Aucun ajustement         |
| 6-29 BPM         | Supérieur à l'objectif | - 1,0 km/h               |
| 29+ BPM          | Supérieur à l'objectif | - 2,0 km/h               |

### REMARQUE

- Le paramètre d'inclinaison n'est pas contrôlé en mode programme HRC, mais il peut l'être par l'utilisateur à tout moment pour intensifier ou ralentir l'entraînement.
- La vitesse peut être modifiée à tout moment par l'utilisateur.
- Lorsque la vitesse est supérieure à la limite de vitesse prédéfinie, elle s'ajuste automatiquement au réglage de vitesse prédéfini automatiquement.
- Si aucun rythme cardiaque n'est détecté, le tapis de course arrêtera l'entraînement.

### ATTENTION

- La mesure du rythme cardiaque est requise pour cette fonction.

### Fonction ERP

La fonction ERP peut passer votre tapis de course en mode veille automatiquement quand il n'est pas utilisé pendant 4:30 minutes.

Vous pouvez activer ou désactiver cette fonction comme suit :

- Quand le tapis de course est en mode de démarrage, appuyez sur le bouton « Mode » et maintenez-le enfoncé pendant 3 secondes pour activer ou désactiver la fonction ERP.
  - L'écran affiche « 1111 » lorsque la fonction est activée. La machine se met en mode veille après 4:30 minutes d'inactivité.
  - L'écran affiche « 2222 » lorsque la fonction est désactivée. La machine ne se met pas en mode veille après 4:30 minutes d'inactivité.

### ATTENTION

- Nous vous recommandons de toujours activer la fonction ERP.

### Bluetooth & APP

- Cette console peut être connectée à l'APP sur l'appareil intelligent via Bluetooth. (iOS & Android)
- Établissez la connexion Bluetooth uniquement via le mode de connexion sur l'application installée sur votre périphérique intelligent.

### NOTE

- Tunturi vous fournit seulement la possibilité de raccorder votre console de fitness via une connexion Bluetooth. Par conséquent, Tunturi ne peut être tenu responsable des dommages ou du mauvais fonctionnement des produits autres que ceux de Tunturi.

- Consultez le site Web pour plus d'informations.

## Garantie

### Conditions de garantie

Le consommateur dispose des droits légaux accordés par la législation nationale applicable au commerce des produits de consommation courante et cette garantie ne limite ces droits en aucun cas. La « Garantie du propriétaire » est valable uniquement si l'équipement est utilisé dans l'environnement correspondant à celui déterminé par Tunturi New Fitness BV. L'environnement d'utilisation de chaque appareil est mentionné dans le mode d'emploi fourni avec l'appareil en question.

### Conditions de garantie

Les conditions de garantie sont applicables à compter de la date d'achat et peuvent varier selon les pays. Demandez conseil à votre revendeur.

### Étendue de la garantie

En aucun cas Tunturi New Fitness BV, le revendeur ou le distributeur Tunturi ne répondra des éventuels dommages spéciaux, indirects, secondaires ou consécutifs, de quelque nature que ce soit, liés à l'utilisation de ou à l'inaptitude à utiliser cet équipement.

### Restrictions de garantie

La garantie couvre les défauts de fabrication et de matériaux dans un équipement d'origine, sorti d'usine et conditionné par Tunturi New Fitness BV. La garantie couvre uniquement les défauts apparaissant lors d'une utilisation normale et conforme aux instructions du manuel du propriétaire, à condition que les instructions de montage, de maintenance et d'utilisation établies par Tunturi New Fitness BV aient été respectées. Tunturi New Fitness BV et les revendeurs Tunturi ne répondent pas des défauts occasionnés par des conditions indépendantes de leur volonté. La garantie est applicable uniquement au premier acheteur et est valable uniquement dans les pays où Tunturi New Fitness BV dispose d'un distributeur agréé. La garantie ne s'étend pas aux équipements de fitness ou aux pièces qui ont été modifiées sans l'autorisation de Tunturi New Fitness BV. La garantie ne s'applique pas aux défauts provenant d'une usure normale, d'une utilisation inadaptée, d'une utilisation dans des conditions non prévues par le fabricant, de la corrosion ou d'un dommage intervenu lors du chargement ou du transport.

La garantie ne couvre pas les sons ou les bruits émis par l'équipement s'ils ne gênent pas son utilisation et s'ils ne sont pas provoqués par un dysfonctionnement.

La garantie ne couvre pas non plus les mesures de maintenance, telles que le nettoyage, la lubrification ou la vérification normale des pièces, ni les actions que le client peut effectuer lui-même et qui n'exigent pas particulièrement de monter/ démonter l'équipement. Ces actions sont par exemple le changement des compteurs, des pédales ou autres pièces similaires faciles à changer. Seules les réparations sous garantie effectuées par un revendeur ou par le distributeur agréé Tunturi seront prises en charge. Le non-respect des instructions décrites dans le Manuel de l'utilisateur entraînera l'annulation de la garantie.

## Nettoyage et maintenance

### AVERTISSEMENT

- Avant le nettoyage et la maintenance, retirez la fiche secteur de la prise murale.
- N'utilisez aucun solvant pour nettoyer l'équipement.
- Ne bloquez pas les ouvertures de ventilation. Débarrassez les ouvertures de ventilation de toute poussière, salissure ou obstruction.
- Nettoyez l'équipement avec un chiffon doux et absorbant après chaque usage.

- Nettoyez les parties visibles de l'équipement avec un aspirateur doté d'un petit suceur.
- Vérifiez régulièrement le serrage de tous les écrous et vis.

## Tapis et surface

Votre tapis de course utilise une couche très efficace à faible friction. Les performances seront meilleures si la surface est régulièrement nettoyée. Utilisez un chiffon doux et humide ou une serviette en papier pour essuyer le bord du tapis et la zone entre le bord du tapis et le châssis. Allez aussi loin que possible sous le bord du tapis. Ce nettoyage doit être fait une fois par mois afin de prolonger la durée de vie du tapis et de la surface. Utilisez uniquement de l'eau - jamais de produits de nettoyage ou d'abrasifs. Nettoyez le dessus du tapis texturé avec une eau savonneuse douce et une brosse en nylon. Laissez sécher le tapis avant de l'utiliser.

## Lubrification (fig. F-4)

L'état de lubrification du tapis de course doit régulièrement être vérifié. C'est pourquoi le tapis de course est muni d'une fonction de rappel toutes les 300 heures. La « TIME WINDOW » affichera « OIL » et diffusera un bip toutes les 10 secondes pour vous le rappeler. Suivez la procédure de vérification ci-dessous et supprimez le message « OIL » ainsi que le signal sonore en maintenant enfoncé le bouton « START » pendant au moins 3 secondes pendant le signal d'alarme.

### ⚠ AVERTISSEMENT

- Avant la lubrification, retirez la fiche secteur de la prise murale.

### ⚠ PRÉCAUTION

- Nous vous recommandons de vérifier le graissage de la bande en cours d'exécution au moins une fois par mois, car davantage de facteurs que le temps peuvent être déterminants pour l'état du lubrifiant.
  - Lubrifiez le tapis roulant uniquement si c'est nécessaire. Une lubrification excessive peut faire patiner le tapis roulant du fait du manque de friction.
- Tenez-vous fermement sur le tapis roulant.
  - Serrez le guidon avant et poussez le tapis roulant avec vos pieds afin de lui imprimer un mouvement avant-arrière. Le tapis roulant doit rouler régulièrement et silencieusement.
  - Si le tapis roulant ne roule pas régulièrement et silencieusement ou s'il ne roule pas du tout, touchez la partie inférieure du tapis roulant avec vos doigts pour vérifier la lubrification.
    - Si vous sentez le lubrifiant ou si vos doigts sont brillants, le tapis est suffisamment lubrifié.
    - Si vous ne sentez pas le lubrifiant ou si vos doigts sont poussiéreux ou rugueux, appliquez du lubrifiant (15 à 20 ml) au milieu du plateau roulant sous le tapis roulant et laissez l'équipement fonctionner à 5 km/h durant au moins 5 minutes.
    - Après la lubrification, ne repliez pas l'équipement sans effectuer une session de 20 minutes à une vitesse d'au moins 5 km/h. Le lubrifiant se répartit uniformément ainsi sur tout le tapis roulant.

## Poussière de tapis

Le tapis dégage de la poussière lors d'un rodage normal jusqu'à ce que le tapis se stabilise. Essayez la poussière à l'aide d'un chiffon humide pour éviter qu'elle s'accumule.

## Nettoyage général

Les saletés, la poussière et les poils d'animaux peuvent bloquer les entrées d'air et s'accumuler sur le tapis. Tous les mois : passez l'aspirateur sous le tapis de course pour éviter l'accumulation. Retirez le capot noir du moteur deux fois par an et aspirez les saletés qui peuvent s'y accumuler.

DEBRANCHEZ L'APPAREIL AVANT LE NETTOYAGE.

- Serrez les boulons du rouleau arrière (dans le sens des aiguilles d'une montre) juste assez pour empêcher que le tapis patine sur le

rouleau avant. Tournez les deux boulons de réglage de la tension du tapis par incréments d'un quart de tour et contrôlez la tension en marchant lentement sur le tapis et en vous assurant que celui-ci ne patine pas. Continuez à serrer les boulons jusqu'à ce que le tapis cesse de patiner.

- Si vous avez l'impression que le tapis est assez serré mais patine encore, le problème provient peut-être d'une courroie de transmission lâche sous le capot avant.
- Ne serrez pas trop: Un serrage excessif peut endommager le tapis et entraîner une défaillance prématurée des roulements.

## Centrage du tapis :

Le niveau de performance de votre tapis de course dépend de la planéité de la surface sur laquelle il fonctionne. Lorsque le châssis n'est pas horizontal, le rouleau avant et le rouleau arrière ne peuvent pas rester parallèles et le tapis devra être centré sans cesse.

Cet appareil est conçu de façon à ce que le tapis reste raisonnablement centré lorsqu'il est en service. Il est normal que certains tapis ont tendance à dériver lorsque personne ne se trouve dessus. Après quelques minutes, le tapis devrait se centrer automatiquement. Si le tapis continue à dériver, il faudra le centrer.

## EXCEPTION:

Lors d'une rééducation, pendant laquelle l'utilisateur marche sur une jambe plus forte que l'autre, il se peut que le tapis dérive. Dans de tels cas, vous ne devez pas centrer le tapis, à moins que le tapis ne se centre pas automatiquement dans des conditions d'utilisation normales.

## Pour centrer le tapis (fig. F-5)

Une clé hexagonale coudée de 10 mm est fournie pour régler le rouleau arrière. Le réglage doit être effectué uniquement du côté gauche. Réglez la vitesse du tapis sur environ 3 à 5 km/h.

Rappelez-vous : un petit ajustement peut faire une différence considérable !

Tournez le boulon dans le sens des aiguilles d'une montre pour déplacer le tapis vers la droite et dans le sens inverse pour le déplacer vers la gauche. Tournez le boulon seulement un quart de tour à la fois et attendez quelques minutes jusqu'à ce que le tapis se déplace. Continuez à faire des quarts de tour jusqu'à ce que le tapis se stabilise au centre.

Il se peut que vous deviez centrer le tapis de temps en temps en fonction de l'utilisation et de votre façon de marcher/de courir. Pour certains utilisateurs, le centrage se fera d'une façon différente. Attendez-vous à procéder aux ajustements nécessaires au centrage du tapis. Au fur et à mesure que le tapis est utilisé, ces ajustements vous causeront moins de soucis. Il est de la responsabilité de tout propriétaire de bien centrer son tapis de course.

## 🔧 NOTE

- Les dommages causés au tapis résultant d'un mauvais centrage / réglage de la tension ne sont pas couverts par la garantie.

## Defauts de fonctionnement

En dépit d'un contrôle continu de la qualité, l'appareil peut présenter des défauts ou des anomalies de fonctionnement provenant de certains de ses composants. Dans ce cas, il n'est pas cependant nécessaire d'aller faire réparer votre appareil, le problème pouvant bien souvent être résolu par simple changement de la pièce défectueuse.

Contactez votre distributeur au cas où vous remarqueriez un défaut ou un mauvais fonctionnement de votre l'appareil ou si vous avez besoin de pièces de rechange. Indiquez-lui la nature du problème, les conditions d'utilisation, la date d'achat, le modèle et le numéro de série.

Vous trouverez la liste des pièces détachées à la fin de ce mode d'emploi. Seules des pièces mentionnées dans la liste des pièces de rechange peuvent être utilisées dans l'appareil.

## Système métrique/impérial

Si la vitesse affichée ne correspond pas à vos attentes, la machine est peut-être mal paramétrée.

|            |  |
|------------|--|
| Métrique : | Vitesse Min./ Max.<br>0.8 Km/h/ 22.0 km/h.   |
| Impérial : | Vitesse Min./ Max.<br>0.5 Mls/h/ 13.7 Mls/h. |

### Changer d'unités :

Retirez la clé de sécurité. (La console indique E7)  
Appuyez sur les boutons « Prog » et « Mode » et maintenez-les enfoncés pendant 3 secondes.  
La console indique brièvement :  
- 0.5 Lorsque vous passez au système impérial.  
- 0.8 Lorsque vous passez au système métrique.  
Remplacez la clé de sécurité

## Codes d'erreur

Si l'affichage indique un code d'erreur ("E" + un nombre), redémarrez l'équipement et vérifiez si le code d'erreur s'affiche toujours. Si le code d'erreur persiste, contactez immédiatement le revendeur.

### NOTE

- E7 n'est pas un code d'erreur, voir «Clé de sécurité».

## Transport et rangement

### AVERTISSEMENT

- Avant le nettoyage et la maintenance, retirez la fiche secteur de la prise murale.
- Deux personnes au moins sont nécessaires pour transporter et déplacer l'équipement.
- Assurez-vous que rien, ni personne ne se trouve sous l'équipement.
- En pliant l'équipement, assurez-vous de l'entendre se verrouiller en position afin qu'il ne se déplie pas inopinément.

### PRÉCAUTION

- Avant de plier l'équipement, assurez-vous que l'inclinaison est à 0 %. Si l'inclinaison n'est pas à 0 %, le pliage va endommager le mécanisme.
- Déplacez l'équipement comme illustré (fig. F3). Déplacez l'équipement et reposez-le prudemment. Placez l'équipement sur une base protectrice pour éviter d'endommager la surface du sol. Déplacez prudemment l'équipement sur les surfaces irrégulières. Ne déplacez pas l'équipement sur ses roues pour monter des escaliers mais transportez-le par les guidons.
- Rangez l'équipement à la verticale (fig. F1). Rangez l'équipement dans un endroit sec exposé à des variations de température minimales.

## Informations supplémentaires

### Élimination des emballages

Les réglementations gouvernementales nous demandent de réduire la quantité de matériaux déposés dans les décharges. C'est pour cela que nous faisons appel à votre responsabilité et vous demandons de déposer les emballages dans des centres de recyclage publics.

## Élimination du produit

Chez Tunturi, nous espérons que vous profiterez longtemps de votre appareil de fitness. Cependant, nous savons bien qu'un jour ou l'autre votre machine arrivera au terme de sa vie utile. Selon la directive européenne sur les DEEE, vous êtes responsable de vous séparer correctement de votre appareil de fitness en le déposant dans un site public agréé de récupération des déchets.

## Données techniques

| Paramètre              | Unité de mesure | Valeur           |
|------------------------|-----------------|------------------|
| Tension secteur        | VCA             | 210 ~ 240        |
| Fréquence secteur      | HZ              | 50 ~ 60          |
| Moteur                 | CV              | 2.5<br>5.5 Max.  |
| Vitesse                | Km/H            | 0.8 ~ 22.0       |
| Vitesse                | Mph             | 0.5 ~ 13.7       |
| Inclinaison            | Étape           | 0 ~ 15           |
| Longueur (replié)      | Cm              | 193.0<br>(137.0) |
| Longueur (replié)      | Inch            | 76.0<br>(53.9)   |
| Largeur                | Cm              | 82.5             |
| Largeur                | Inch            | 32.5             |
| Hauteur (replié)       | Cm              | 149.0<br>(155.0) |
| Hauteur (replié)       | Inch            | 58.7<br>(61.0)   |
| Poids                  | Kg              | 117.0            |
| Poids                  | Lbs             | 257.9            |
| Poids maxi utilisateur | Kb              | 150              |
| Poids maxi utilisateur | Lbs             | 330              |
| Récepteur de FC        | Khz             | 5.3 Khz          |

## Déclaration du fabricant

Tunturi Fitness BV déclare que le produit est conforme aux directives et normes suivantes : EN 957 (HA), 89/336/CEE.  
Ce produit porte donc la marque CE.

12-2019

Tunturi New Fitness BV  
Purmerweg 1  
1311 XE Almere  
Pays-Bas

## Limite de responsabilité

© 2019 Tunturi New Fitness BV  
Tous les droits réservés.

Le produit et le manuel sont sujets à modifications. Les spécifications peuvent changer sans préavis.

## Nederlands

Deze Nederlandse handleiding is een vertaling van de Engelse tekst. Aan deze vertaling kunnen geen rechten ontleend worden. De originele Engelse tekst blijft leidend.

## Inhoud

|  |           |
|--|-----------|
| <b>Loopband</b> .....                            | <b>44</b> |
| <b>Veiligheidswaarschuwingen</b> .....           | <b>44</b> |
| Elektrische veiligheid .....                     | 44        |
| <b>Montage instructies</b> .....                 | <b>45</b> |
| Beschrijving (Fig. A).....                       | 45        |
| Inhoud van de verpakking (Fig. B&C) .....        | 45        |
| Assemblage (Fig. D).....                         | 45        |
| Accessoires (fig. H).....                        | 45        |
| <b>Trainingen</b> .....                          | <b>45</b> |
| Instructies.....                                 | 45        |
| Hartslag.....                                    | 46        |
| <b>Gebruik</b> .....                             | <b>46</b> |
| <b>Monitor (fig. E-1)</b> .....                  | <b>47</b> |
| Knoppen .....                                    | 47        |
| Uitleg van de items op het display (Fig. H)..... | 48        |
| USB functie.....                                 | 48        |
| <b>Programma's</b> .....                         | <b>48</b> |
| Snelle start.....                                | 48        |
| Aftelmodus (P0).....                             | 48        |
| Workout beëindigen .....                         | 48        |
| Voorgeprogrammeerde programma's (P1~P36) .....   | 48        |
| Gebruikersprogramma's (U01~U03) .....            | 49        |
| Body Fat .....                                   | 49        |
| HRC-programma .....                              | 49        |
| ERP-functie.....                                 | 50        |
| Bluetooth & APP .....                            | 50        |
| <b>Garantie</b> .....                            | <b>50</b> |
| <b>Reiniging en onderhoud</b> .....              | <b>50</b> |
| Smeren (fig. F-4).....                           | 51        |
| <b>Gebruiksstoringen</b> .....                   | <b>51</b> |
| Instellingen - metriek/imperiaal .....           | 52        |
| Foutcodes .....                                  | 52        |
| <b>Transport en opslag</b> .....                 | <b>52</b> |
| Aanvullende informatie.....                      | 52        |
| <b>Technische gegevens</b> .....                 | <b>52</b> |
| <b>Verklaring van de fabrikant</b> .....         | <b>52</b> |
| <b>Disclaimer</b> .....                          | <b>52</b> |

## Loopband

Welkom in de wereld van Tunturi Fitness!

Hartelijk dank voor uw aankoop van dit Tunturi-toestel. Tunturi biedt een grote verscheidenheid aan professionele toestellen zoals crosstrainers, loopbanden, fietstrainers, roeimachines en accessoires. Het Tunturi-toestel is geschikt voor de hele familie, onafhankelijk van de conditie. Meer informatie vindt u op de website [www.tunturi.com](http://www.tunturi.com)

### Belangrijke Informatie

Deze gids is een essentieel onderdeel van uw Tunturi looptrainer. Lees deze gids zorgvuldig door vóórdat u begint met monteren, gebruiken of onderhouden van uw looptrainer. Bewaar de gids op een handige plaats. U kunt er, nu en in de toekomst, nuttige informatie uithalen die u nodig heeft voor het gebruik en het onderhoud van de apparatuur. Volg de instructies altijd met zorg op.

## Veiligheidswaarschuwingen

### ⚠ WAARSCHUWING

- Lees de veiligheid-waarschuwingen en de instructies. Het niet opvolgen van de veiligheid-waarschuwingen en de instructies kan persoonlijk letsel of beschadiging van het toestel veroorzaken. Bewaar de veiligheid-waarschuwingen en instructies voor toekomstig gebruik.

### ⚠ WAARSCHUWING

- Hartslag-bewakingssystemen kunnen onnauwkeurig zijn. Overmatig trainen kan leiden tot ernstig letsel of de dood. Als u zich duizelig voelt, stop dan onmiddellijk met trainen.
- Het toestel is uitsluitend geschikt voor huishoudelijk en professioneel gebruik (bijv. ziekenhuizen, brandweerkazernes, hotels, scholen, etc.). Het maximum gebruik is beperkt tot 6 uur per dag. Het toestel is niet geschikt voor volledig commercieel gebruik (bijv. grote sportscholen).
- Het gebruik van dit toestel door kinderen of personen met fysieke, sensorische, geestelijke of motorische handicaps, of met gebrek aan ervaring en kennis kan gevaar veroorzaken. De personen die verantwoordelijk zijn voor hun veiligheid moeten uitdrukkelijke instructies geven of toezicht houden op het gebruik van het toestel.
- Als u misselijkheid, duizeligheid of andere abnormale symptomen ervaart, stop dan onmiddellijk met uw training en raadpleeg een arts.
- Om spierpijn en te zware belasting te voorkomen, moet u elke training beginnen met een warming-up en eindigen met een cooling-down. Vergeet niet om uw spieren te strekken aan het einde van de training.
- Het toestel is uitsluitend geschikt voor gebruik binnenshuis. Het toestel is niet geschikt voor gebruik buitenshuis.
- Gebruik het toestel alleen in een omgeving met voldoende ventilatie. Gebruik het toestel niet in een tochtige omgeving om geen kou te vatten.
- Gebruik het toestel alleen in een omgeving met een omgevingstemperatuur tussen 10 °C~35 °C. Berg het toestel alleen op bij een omgevingstemperatuur tussen 5 °C~45 °C.
- Gebruik het toestel niet in een vochtige omgeving. Berg het toestel niet op in een vochtige omgeving. De luchtvochtigheid mag nooit meer zijn dan 80%.
- Gebruik het toestel alleen voor het doel waarvoor het gemaakt is. Gebruik het toestel niet voor andere doelstellingen dan beschreven in de handleiding.
- Gebruik het toestel niet als een onderdeel is beschadigd of niet goed werkt. Raadpleeg uw dealer als een onderdeel is beschadigd of niet goed werkt.
- Houd uw handen, voeten en andere lichaamsdelen uit de buurt van de bewegende delen.
- Houd uw haar uit de buurt van de bewegende delen.
- Draag geschikte kleding en schoenen.
- Houd kleding, sieraden en andere voorwerpen uit de buurt van de bewegende delen.
- Zorg ervoor dat het toestel slechts door één persoon tegelijk wordt gebruikt. Het toestel mag niet worden gebruikt door personen die meer dan 150 kg (330 lbs) wegen.
- Maak het toestel niet open zonder eerst uw dealer te raadplegen.

### Elektrische veiligheid

(Uitsluitend voor toestellen met elektrisch vermogen)

- Controleer voor gebruik altijd of de netspanning gelijk is aan de spanning op het typeplaatje van het toestel.
- Gebruik geen verlengsnoer.
- Houd het snoer uit de buurt van warmte, olie en scherpe randen.
- Verander of wijzig het snoer of de stekker niet.
- Gebruik het toestel niet als het snoer of de stekker beschadigd is of niet goed werkt. Als het snoer of de stekker is beschadigd of niet goed werkt, raadpleeg dan uw dealer.

- Rol het snoer altijd helemaal uit.
- Laat het snoer niet onder het toestel door lopen. Laat het snoer niet onder een kled door lopen. Plaats geen voorwerpen op het snoer.
- Zorg ervoor dat het snoer niet over de rand van een tafel hangt. Zorg ervoor dat niemand per ongeluk achter het snoer kan blijven haken of erover kan struikelen.
- Laat het toestel niet onbewaakt achter wanneer de stekker in het stopcontact zit.
- Trek niet aan het snoer als u de stekker uit het stopcontact wilt halen.
- Verwijder de stekker uit het stopcontact wanneer het toestel niet in gebruik is, vóór montage of demontage en vóór reiniging en onderhoud.

### ⚠ WAARSCHUWING

- Als het voltage varieert met tien (10) procent, kan dit de prestaties van de loopband negatief beïnvloeden. Dergelijke omstandigheden vallen niet onder de garantie. Als u vermoedt dat het voltage te laag is, neemt u contact op met het lokale energiebedrijf of een bevoegd elektricien voor het uitvoeren van een test.

### ⚠ WAARSCHUWING

- Gebruik NOOIT een overspanning-beveiliging met deze loopband. Net als bij elk apparaat met een grote motor zal de overspanning-beveiliging vaak worden geactiveerd. Houd het stroom snoer uit de buurt van bewegende onderdelen van de loopband, inclusief het helling-mechanisme en de transportwielletjes.

### Aardingsinstructies

Dit product moet worden geaard. Als het elektrische systeem van de loopband niet goed/niet meer werkt, vormt aarding een pad van minste weerstand voor elektrische stroom, waardoor het risico van een elektrische schok afneemt. Dit product is voorzien van een koord met een aardingsstekker. De stekker moet in een geschikt stopcontact worden geplaatst dat op juiste wijze is gemonteerd en geaard in overeenstemming met alle lokale normen en verordeningen.

### ⚠ WAARSCHUWING

- Onjuiste aansluiting van de aardingsgeleider kan resulteren in risico van een elektrische schok. Neem contact op met een bevoegd elektricien of onderhoudsmonteur als u niet zeker weet of het product goed is geaard. Pas de stekker die met het product wordt geleverd niet aan wanneer het niet in het stopcontact past. Laat een geschikt stopcontact installeren door een bevoegd elektricien.

## Montage instructies

### Beschrijving (Fig. A)

Uw loopband is is een stationair fitnessstoestel dat wordt gebruikt voor het nabootsen van lopen of hardlopen zonder dat de gewrichten te veel belast worden.

### Inhoud van de verpakking (Fig. B&C)

- De verpakking bevat de onderdelen zoals aangegeven in fig. B.
- De verpakking bevat de bevestigingsmiddelen zoals aangegeven in fig. C. Raadpleeg het gedeelte "Beschrijving".

### ⚠ LET OP

- Raadpleeg uw dealer als een onderdeel ontbreekt.

### Assemblage (Fig. D)

#### ⚠ WAARSCHUWING

- Monteer het apparaat in de aangegeven volgorde.
- Draag en verplaats het toestel met minstens twee personen.

#### ⚠ VOORZICHTIG

- Zet het toestel op een stevige, vlakke ondergrond.
- Zorg voor een beschermende laag onder het toestel om schade aan het vloeroppervlak te voorkomen.
- Houd rondom de apparatuur ten minste een bewegingsruimte van 100 cm.

- Raadpleeg de illustraties voor de juiste assemblage van het toestel.

### Accessoires (fig. H)

#### ⚠ OPMERKING

- De getoonde illustratie laat zien hoe de trainer eruit zal zien met de geschikte verlengde leuning.
- De extra verlengde leuning kunnen als accessoire worden gekocht.
- Article nr: 19TRNRH000

Neem contact op met uw dealer voor meer informatie.

## Trainingen

De training moet licht genoeg zijn, maar wel langdurig. Aerobische training is gebaseerd op verbetering van de maximale zuurstofopname van het lichaam, die dan het uithoudingsvermogen en de conditie weer verbetert. U moet tijdens de training wel transpireren, maar u mag niet buiten adem raken. Voor het bereiken en in stand houden van een basisconditie moet u minstens drie keer per week steeds 30 minuten trainen. Verhoog het aantal trainingssessies ter verbetering van uw conditie. Het is de moeite waard om regelmatige lichaamsbeweging met gezonde voeding te combineren. Iemand die zich goed aan een dieet houdt, zou elke dag moeten trainen te beginnen met 30 minuten of korter, en de dagelijkse trainingsduur geleidelijk opvoeren tot één uur. Begin uw training bij een lage snelheid en een lage weerstand om te voorkomen dat uw hart en bloedvaten te sterk belast worden. Naarmate uw conditie verbetert, kunnen snelheid en weerstand geleidelijk worden verhoogd. De doelmatigheid van uw training kan worden gemeten door uw hartslag.

### Instructies

Het gebruik van dit fitness apparaat biedt meerdere voordelen: u verbetert uw fysieke conditie, u versterkt uw spieren en u valt in combinatie met een caloriearm dieet af.

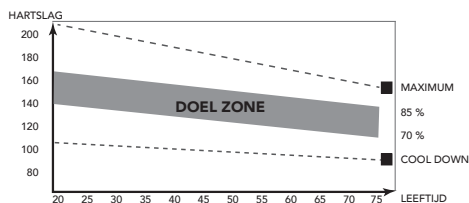
#### De warming-up

In deze fase wordt uw bloedsomloop gestimuleerd voor een juiste werking van de spieren. Tevens wordt het risico op kramp en spierletsel verminderd. Wij raden u aan enkele stretch oefeningen te doen, zoals hieronder beschreven. Houd elke stretch oefening ongeveer 30 seconden vol. Forceer uw spieren niet bij het stretchen. STOP als het pijn doet

#### De training fase

Dit is de fase waarin u de meeste inspanning levert. Na regelmatig gebruik worden de spieren in uw benen flexibeler. Het is in deze fase zeer belangrijk dat u een gelijkmatig tempo aanhoudt. De snelheid moet voldoende zijn om uw hartslag te laten stijgen naar de doel zone die in de onderstaande grafiek te zien is.





Deze fase moet minimaal 12 minuten duren, maar de meeste mensen beginnen met ongeveer 15-20 minuten.

### De cooling down

In deze fase ontspant u uw cardiovasculaire systeem en spieren. Dit is een herhaling van de warming-up training. Verlaag dus uw tempo en ga ongeveer 5 minuten door. Herhaal nu de stretch-oefeningen. Forceer uw spieren niet tijdens het stretchen.

Naarmate u fitter wordt, moet u langer en harder trainen. Het is raadzaam minstens drie keer per week te trainen en zo nodig uw oefeningen gelijkmatig over de week te verspreiden.

### Spierversteviging

Als u uw spieren wilt verstevigen met behulp van dit fitnessapparaat, stelt u de weerstand in op hoog. Zo komt er meer spanning op uw beenspieren. Mogelijk kunt u niet zo lang trainen als u zou willen. Als u ook uw conditie wilt verbeteren, moet u het trainingsprogramma aanpassen. Tijdens de warming-up en cooling-down traint u zoals normaal, maar tegen het eind van de trainingsfase verhoogt u de weerstand zodat uw benen harder moeten werken. Verlaag hierbij de snelheid zodat uw hartslag in de doelzone blijft.

### Gewichtverlies

Hierbij is het van belang hoeveel inspanning u levert. Hoe harder en langer u werkt, hoe meer calorieën u verbrandt. In feite is dit hetzelfde als wanneer u zou trainen om uw conditie te verbeteren. Het doel is alleen anders.

## Hartslag

### Hartslagmeting (handgreepsensoren)

De hartslag wordt gemeten door sensoren in de handgrepen wanneer de gebruiker beide sensoren tegelijkertijd aanraakt. Voor de meest nauwkeurige hartslagmeting moet de huid enigszins vochtig zijn en moet u de handgreepsensoren voortdurend aanraken. Bij een te droge of te vochtige huid kan de hartslagmeting minder nauwkeurig worden.

#### LET OP

- Gebruik de handgreepsensoren niet in combinatie met een hartslagborstband.
- Als u een hartslaglimiet hebt ingesteld voor uw training, klinkt er een alarm wanneer deze wordt overschreden.

### Hartslagmeting (hartslagborstband)

#### LET OP

- Een hartslagborstband is niet standaard bij deze trainer mee geleverd. Als u een hartslagborstband wilt gebruiken, zult u deze als accessoire moeten aanschaffen.

De meest nauwkeurige hartslagmeting wordt bereikt met een hartslagborstband. De hartslag wordt gemeten met een hartslagontvanger in combinatie met een band die de hartslag verzendt. Voor een nauwkeurige hartslagmeting moeten de elektroden op de borstband enigszins vochtig zijn en de huid constant aanraken. Bij te droge of te natte elektroden kan de hartslagmeting minder nauwkeurig worden.

#### WAARSCHUWING

- Als u een pacemaker hebt, moet u het eerst met uw dokter bespreken voordat u een hartslagborstband gebruikt.

#### VOORZICHTIG

- Als er verscheidene hartslagmeetapparaten naast elkaar staan, zorg er dan voor dat de tussenafstand minstens 2 meter is.
- Als er slechts één hartslagontvanger en verscheidene hartslagzenders zijn, zorg dan dat er slechts één persoon met een zender in het zendbereik is.

#### LET OP

- Gebruik de hartslagborstband niet in combinatie met de handgreepsensoren.
- Draag de hartslagborstband altijd onder uw kleding, direct op uw huid. Draag de hartslagborstband niet boven uw kleding. Als u de hartslagborstband boven uw kleding draagt, zal er geen signaal komen.
- Als u een hartslaglimiet hebt ingesteld voor uw training, klinkt er een alarm wanneer deze wordt overschreden.
- De zender verzendt de hartslag naar de console tot over een afstand van 1,5 meter. Als de elektroden niet vochtig zijn, verschijnt de hartslag niet op de display.
- Sommige vezels in kleding (bijv. polyester, polyamide) produceren statische elektriciteit die een nauwkeurige hartslagmeting kan hinderen.
- Mobiele telefoons, televisies en andere elektrische apparaten creëren een elektromagnetisch veld dat een nauwkeurige hartslagmeting kan hinderen.

### Maximale hartslag (tijdens de training)

De maximale hartslag is de hoogste hartslag die iemand veilig kan bereiken door de belasting van de training. De volgende formule wordt gebruikt voor het berekenen van de gemiddelde maximale hartslag:

220 - LEEFTIJD. De maximale hartslag varieert van persoon tot persoon.

#### WAARSCHUWING

- Zorg ervoor dat u tijdens uw training niet boven uw maximale hartslag komt. Als u bij een risicogroep hoort, moet u een arts raadplegen.

### Beginner

#### 50-60% van de maximale hartslag

Geschikt voor beginners, mensen die willen afvallen, herstellende patiënten en personen die lange tijd niet getraind hebben. Train minstens drie keer per week, 30 minuten per keer.

### Gevorderd

#### 60-70% van de maximale hartslag

Geschikt voor personen die hun conditie willen verbeteren en in stand houden. Train minstens drie keer per week, 30 minuten per keer.

### Expert

#### 70-80% van de maximale hartslag

Geschikt voor de fitteste personen die gewend zijn aan langdurige duurtraining.

## Gebruik

### Hoofdschakelaar (Fig. E-2A)

Het toestel is uitgerust met een hoofdschakelaar om het toestel volledig uit te schakelen.

#### Starten van het toestel:

- Plaats de stekker in het toestel.
- Plaats de stekker in het stopcontact.
- Zet de hoofdschakelaar in de aan-stand (ON).

#### Stoppen van het toestel:

- Zet de hoofdschakelaar in de uit-stand (OFF).
- Verwijder de stekker uit het stopcontact.
- Verwijder de stekker uit het toestel.

**Veiligheidsleutel (fig. F-4)**

Het toestel is uitgerust met een veiligheidsleutel die juist in de console moet worden geplaatst om het toestel te starten. Als u de veiligheidsleutel uit de console verwijdert, stopt het toestel onmiddellijk.

- Plaats de veiligheidsleutel in de sleuf in de console.
- Zorg ervoor dat de clip van de veiligheidsleutel juist aan uw kleding vastzit. Zorg ervoor dat de clip pas van uw kleding wordt gehaald wanneer de veiligheidsleutel uit de console is verwijderd.

**LET OP**

- Monitor laat code E7 zien als veiligheidsleutel niet, of niet juist is geplaatst.

**Circuitonderbreker (Fig. E-2B)**

Het toestel is uitgerust met een circuitonderbreker die het circuit onderbreekt wanneer de elektrische belasting boven de maximale capaciteit komt. Wanneer dit gebeurt, moet de circuitonderbreker worden ingedrukt.

**WAARSCHUWING**

- Verwijder voor het indrukken van de circuitonderbreker de stekker uit het toestel.

Als het toestel uitschakelt, gaat u als volgt te werk om het toestel opnieuw op te starten:

- Verwijder de stekker uit het toestel.
- Druk de circuitonderbreker in om het toestel opnieuw op te starten.
- Plaats de stekker in het toestel.

**LET OP**

- Sommige stroomonderbrekers die binnenshuis worden gebruikt, zijn niet berekend op hoge inschakelstroomstoten die kunnen optreden wanneer de loopband voor de eerste keer wordt ingeschakeld of zelfs tijdens normaal gebruik. Als de loopband de stroomonderbreker activeert (zelfs al heeft deze het juiste stroombereik en is de loopband het enige aangesloten apparaat) maar de stroomonderbreker op de loopband zelf niet wordt geactiveerd, moet u de onderbreker vervangen met een type dat is berekend op hoge inschakelstroomstoten. Dit is geen defect dat onder de garantie valt. Dit is een omstandigheid waarop wij als fabrikant geen invloed hebben.

**Uitklappen en inklappen van het toestel (fig. F1-F2)**

Het toestel kan worden uitgeklaapt voor gebruik (fig. F1) en ingeklapt voor transport en opslag (fig. F2). Raadpleeg de illustraties voor de juiste wijze van uitklappen en inklappen van het toestel.

**WAARSCHUWING**

- Zorg ervoor dat de hellingsgraad van de loopband op 0 is ingesteld alvorens hem op te vouwen. Zo niet zou schade kunnen ontstaan aan het mechanisme.

**Afstellen van de steunvoeten**

Het toestel is voorzien van 4 steunvoeten. Als het toestel niet stabiel is, kunnen de steunvoeten worden versteld.

- Draai de steunvoeten zo ver in of uit als nodig is om het toestel in een stabiele positie te krijgen.
- Draai de borgmoeren vast om de steunvoeten te vergrendelen..

**LET OP**

- Het toestel is het meest stabiel wanneer alle steunvoeten volledig zijn ingedraaid. Nivelleer het toestel eerst door alle steunvoeten volledig in te draaien alvorens de nodige steunvoeten uit te draaien

**Monitor (fig. E-1)****VOORZICHTIG**

- Houd de console uit de buurt van direct zonlicht.
- Droog het oppervlak van de console wanneer het met zweetdruppels is bedekt.
- Leun niet op de console.
- Raak de display alleen met uw vingertop aan. Raak de display niet aan met uw nagels of een scherp voorwerp.

**LET OP**

- De console gaat naar standby wanneer het toestel gedurende 4 minuten niet wordt gebruikt.

**Knoppen****Stop / Reset**

- Door eenmaal op deze knop te drukken, stopt u de workout / loopband rustig.
- Door tweemaal op deze knop te drukken, stopt u de workout / loopband sneller.
- U reset de console wanneer u deze knop in de 'stopmodus' 2 seconden ingedrukt houdt

**Start/ Pause**

- Start de geselecteerde workout, of herstart de workout na de pauzmodus.
- Pauzeer de actieve workout.

**Prog**

- Druk op deze knop om de mogelijke programma's te doorlopen. (P0/ P1~P36/ U01~U03/ HRC1~HRC3/ FAT)

**Mode**

- Doorloop de parameters van de doelinstelling in de programmeermodus.
- Reset de streeftijd bij het instellen van een streeftijd voor de programma's "P1~P36".

**Speed +**

- Hiermee wordt de snelheid verhoogd (0.8 ~ 22.0 km/h).
- Door eenmaal op de knop te drukken wordt de snelheid met 0.1 km/h verhoogd.
- Als u de knop twee seconden ingedrukt houdt, wordt de snelheid sneller verhoogd.
- In de programmeringsmodus kunt u door programma's scrollen en waarden wijzigen.

**Speed -**

- Hiermee wordt de snelheid verlaagd (0.8 ~ 22.0 km/h).
- Door eenmaal op de knop te drukken wordt de snelheid met 0.1 km/h verlaagd.
- Als u de knop gedurende twee seconden ingedrukt houdt, wordt de snelheid sneller verlaagd.
- In de programmeringsmodus kunt u door programma's scrollen en waarden wijzigen.

**Sneltoetsen voor de snelheid:**

De sneltoetsen voor de snelheid zijn ingesteld op 6, 9 en 12. Druk bijvoorbeeld op sneltoets 9 en de snelheid verandert van elke snelheid naar 9 km/u.

**Makkelijk toegankelijke toetsen voor de snelheid op de handgreep:**

- + Hetzelfde als "Speed +".
- - Hetzelfde als "Speed -".

**Incline +**

- Hiermee wordt de hellingsgraad verhoogd (0 ~ 15 +1).
- In de programmeringsmodus kunt u door programma's scrollen en waarden wijzigen.



**Incline -**

- Hiermee wordt de hellingsgraad verlaagd (0 ~ 15 -1)
- In de programmeringsmodus kunt u door programma's scrollen en waarden wijzigen.

**Sneltoetsen voor de hellingsgraad.**

De sneltoetsen voor de hellingsgraad zijn ingesteld op 0, 5 en 10. Druk bijvoorbeeld op sneltoets 5 en de hellingsgraad verandert van elk hellingsniveau naar 5.

**Makkelijk toegankelijke toetsen voor de hellingsgraad op de handgreep:**

- + : Hetzelfde als "Incline +"
- - : Hetzelfde als "Incline -"

**Uitleg van de items op het display (Fig. H)****Snelheid**

- Toont de actuele snelheid van de loopband in de workoutmodus.
- Toont de streefsnelheid in de programmeringsmodus.
- Toont het gekozen programma in de programmeringsmodus.

**Helling**

- Toont de actuele helling van de loopband in de workoutmodus.
- Toont de streefhelling in de programmeringsmodus.

**Afstand**

- Toont de gelopen afstand in de workoutmodus.
- Toont de resterende afstand bij een workout in de aftelmodus.
- Toont de streefstand in de programmeringsmodus.

**Tijd**

- Toont de gelopen tijd in de workoutmodus.
- Toont de resterende tijd bij een workout in de aftelmodus.
- Toont de streeftijd in de programmeringsmodus.

**Steps**

Op de console wordt tijdens uw workout het aantal stappen bijgehouden, mits uw snelheid hoger is dan 3.0 km/h en gebruikers gewicht tenminste 40 kg is.

**Hart**

- Toont de hartslag in de workoutmodus, of 'P' wanneer er geen hartslag wordt geregistreerd.

**Calorieën**

- Toont de verbrande kilocalorieën in de workoutmodus.
- Toont de resterende kilocalorieën bij een workout in de aftelmodus.
- Toont het streefaantal kilocalorieën in de programmeringsmodus.

**⚠️ OPMERKING**

- Deze gegevens zijn een richtlijn voor de vergelijking van verschillende trainingssessies en kunnen niet tijdens medische behandelingen worden gebruikt.

**⚠️ OPMERKING**

- Het display voor tijd/stap, hart/helling en calorieën/afstand scant elke 5 seconden.

**USB functie**

De gebruiker kan zijn apparaat aansluiten om deze op te laden tijdens het train.

Spanning/ stroom: 5VDC/ 1.0 Amp

**Programma's****Snelle start**

- Druk op de knop "Start/ Pause" om de workout te starten zonder voorgeprogrammeerde instellingen.
- De loopband begint op een minimum snelheid van 0.8 Km/h, met de ingestelde helling.
- U kunt op elk gewenst moment de snelheid en helling aanpassen tijdens de workout, evenals stoppen en pauzeren.

**Aftelmodus (P0)**

De machine moet in de opstartmodus staan om toegang te krijgen tot de aftelmodus.

Houd de knop "Stop/ Reset" 2 seconden ingedrukt om de loopband in de opstartmodus te zetten.

- Druk op de knop "Mode" om de aftelmodus te selecteren:
  - Trainingsmodus 1: Streeftijd.  
Gebruik de knoppen "Speed +/-" en "Incline +/-" om de waarde aan te passen. Standaard 30:00 min.  
Bereik 5:00~95:00 ± 1:00.
  - Trainingsmodus 2: Streefstand.  
Gebruik de knoppen "Speed +/-" en "Incline +/-" om de waarde aan te passen. Standaard 1,00 km.  
Bereik 1,00~99,00 ± 1,0.
  - Trainingsmodus 3: Aftelwaarde calorieën.  
Gebruik de knoppen "Speed +/-" en "Incline +/-" om de waarde aan te passen. Standaard 50.  
Bereik 20~9990 ± 10.
- Druk op de knop "Start/ Pause" om uw workout direct te starten na het instellen van het gewenste doel.

**⚠️ OPMERKING**

- Wanneer u een doel heeft ingesteld, zal de loopband automatisch stoppen wanneer het doel is bereikt.
- Het is slechts mogelijk om één doel in te stellen.

**Workout beëindigen**

- U kunt uw workout op elk moment pauzeren door eenmaal de knop "Start/ Pause" in te drukken.  
In de pauzmodus ziet u op het display de aanduiding "PAUS".  
Max. pauzetijd is 4.30 min.
- Druk op de knop "Start/ Pause" om in de "PAUS"-modus de training te hervatten.
- Druk eenmaal op de knop "STOP" om de workout te stoppen.
- Druk tweemaal op de knop "STOP" om de console te resetten.

**Voorgeprogrammeerde programma's (P1~P36)**

Het apparaat bevat 36 vooraf ingestelde programma's met verschillende profielen. (Tabel fig. G.)

- Druk op de knop "Prog" om de programma's P1~P36 te selecteren en druk op de knop "Mode" om uw keuze te bevestigen.
- Stel de door u gewenste tijd voor de workout in.  
Gebruik de knoppen "Speed +/-" en "Incline +/-" om de waarde aan te passen. Standaard 30:00 min.  
Bereik 5:00~95:00 ± 1:00.
- Druk op de knop "Start/ Pause" om uw workout te starten.

**⚠️ OPMERKING**

- De snelheid en de helling worden bepaald door het gekozen programma.
- Een pieptoon informeert de gebruiker dat er binnen enkele seconden een snelheids- en/of hellingsaanpassing zal plaatsvinden.
- Elk segment duurt 1/16e van de ingestelde tijd voor de workout.

- De snelheid en de helling kunnen altijd worden gewijzigd, maar dit heeft alleen invloed op het actieve profielsegment. Het programma volgt het profiel opnieuw wanneer het naar het volgende profielsegment gaat.

## Gebruikersprogramma's (U01~U03)

Het apparaat kent drie gebruikersprogramma's.

U kunt elk gebruikersprogramma naar uw persoonlijke wensen aanpassen. Elk gebruikersprogramma bevat 10 stappen. U kunt voor elke stap de snelheid en de hellingsgraad instellen. Elke stap duurt 1/16e van de totale tijdsduur.

- Druk op de knop "Prog" om het programma "U-1~U-3" te selecteren.
- Stel de door u gewenste tijd voor de workout in. Gebruik de knoppen "Speed +/-" en "Incline +/-" om de waarde aan te passen. Standaard 30:00 min. Bereik 5:00~95:00 ± 1:00.
- Druk op de knop "Start/ Pause" om uw workout te starten.

### Programmeermodus voor gebruikersprofielen

- Druk op de knop "Prog" en selecteer U-1, U-2 of U-3.
- Druk op de knop "Mode" om de programmeermodus voor de snelheid in het eerste profielsegment te openen. Met de knoppen "Speed + en -" kunt u de gewenste snelheid instellen voor het eerste segment van het programma. Bevestig de instelling door op de knop "Mode" te drukken.
- De programmeermodus voor de snelheid in het tweede segment wordt weergegeven. Programmeer de snelheid van alle segmenten zoals voor het eerste segment.
- De programmeermodus voor de hellingsgraad wordt weergegeven. Met de knoppen "Incline + en -" kunt u de gewenste hellingsgraad instellen voor het eerste segment van het programma. Bevestig de instelling door op de knop "Mode" te drukken.
- De programmeermodus voor de hellingsgraad voor het tweede segment wordt weergegeven. Programmeer de hellingsgraad voor alle segmenten zoals voor segment 1.
- Bij het bevestigen van het 16e segment, knippert het tijdvenster om de gewenste trainingstijd in te stellen.
- Houd de knop "Mode" 3 seconden ingedrukt om het ingestelde profiel op te slaan.
- Stel de door u gewenste tijd voor de workout in. Gebruik de knoppen "Speed +/-" en "Incline +/-" om de waarde aan te passen. Standaard 30:00 min. Bereik 5:00~95:00 ± 1:00.
- Druk op de knop "Start/ Pause" om het programma te starten.

### OPMERKING

- Ingestelde gebruikersprofielen worden automatisch opgeslagen zodat deze de volgende keer weer gebruikt kunnen worden.

## Body Fat

Met het programma Body Fat wordt uw fysieke conditie aangegeven, op grond van uw lichaamskenmerken en hartslag.

- Druk op de knop "Mode" om de programmeermodus te openen.
- Druk op de knop "Prog" om het programma "FAT" te selecteren en druk op de knop "Mode" om uw keuze te bevestigen.
- Op de display wordt "F1" (SEX) weergegeven. Op de display wordt "1" weergegeven. Gebruik de knoppen "Speed +/-" en "Incline +/-" om te selecteren: 1 Man/ 2: Vrouw. Druk op de knop "Mode" om uw keuze te bevestigen.

- Op de display wordt "F2" (Age) weergegeven. Op de display wordt '25' weergegeven. Druk op de knoppen "Up/ Down" om van 1~99 te selecteren. Druk op de knop "Mode" om uw keuze te bevestigen.
- Op de display wordt "F3" (Height) weergegeven. Op de display wordt "170"cm weergegeven. Druk op knoppen "Up/ Down" om van 100~220 cm te selecteren. Druk op de knop "Mode" om uw keuze te bevestigen.
- Op de display wordt "F4" (Weight) weergegeven. Op de display wordt "70"kg weergegeven. Gebruik de knoppen "Up/ Down" om 20~150 kg te selecteren. Druk op de knop "Mode" om uw keuze te bevestigen.
- Op de display wordt "F5" (Active) weergegeven. Voor de vetmeting "FAT" moet u de hartslagmetingspads in de handgrepen vasthouden. Het resultaat wordt na 5~10 seconden weergegeven. Bekijk het resultaat van de berekening.

### LET OP

- Voor deze functie moet u de hartslagmetingspads in de handgrepen vasthouden.

### Resultaat van de berekening:

- TYPE LICHAAM: Lichaamsvetpercentage; 9 typen)
  - FAT 0 ~17 Ondergewicht
  - FAT 18 ~ 24 Standaard
  - FAT 28 ~ 28 Overgewicht
  - FAT 29 ~ Up Obesitas
- BF = Body Fat (lichaamsvetpercentage) (in verhoudingspercentage)
- De foutmelding 'ER' wordt weergegeven als er tijdens het BF-metingsproces geen hartslag werd geregistreerd.
- Druk op de knop "Stop/ Reset" om het lichaamsvetprogramma te verlaten.

## HRC-programma

Het HRC-programma is een programma waarbij de snelheid wordt gebaseerd op uw hartslag. De snelheid wordt automatisch verhoogd wanneer uw hartslag onder het doelaantal daalt, en verlaagd wanneer uw hartslag boven het doelaantal stijgt.

- Druk op de knop "Prog" om "HRC" te selecteren. HRC1: Vooringestelde maximumsnelheid is 8 km/u. HRC2: Vooringestelde maximumsnelheid is 12 km/u. HRC3: Vooringestelde maximumsnelheid is 22.0 km/h. Druk op de knop "Mode" om uw keuze te bevestigen.
- Stel uw leeftijd in. Op de display wordt '25' weergegeven. Druk op de knoppen "Up/ Down" om van 1~99 te selecteren. Druk op de knop "Mode" om uw keuze te bevestigen.
- De doelhartslag voor de door u ingestelde leeftijd wordt weergegeven. Doelhartslag = (220-leeftijd) x 0,6. Druk op de knoppen "Up/ Down" om de doelwaarde te veranderen 60~200. Druk op de knop "Mode" om uw keuze te bevestigen.
- Stel de tijdsduur van uw workout in. Op het display wordt '30:00' weergegeven. Gebruik de knoppen "Up/ Down" om een tijdsduur tussen 5:00~99:00 te selecteren. Druk op de knop "Mode" om uw keuze te bevestigen.
- Druk op de knop "Start/ Pause" om het programma te starten.

### HRC-gebruiksfunctie:

- Het HRC-programma begint met een opwarmtijd van één minuut. (de snelheid wordt niet automatisch aangepast)
- De beginsnelheid is 1,0 km/u. Deze kan handmatig worden ingesteld op een comfortabele opwarmsnelheid.
- De console controleert uw hartslag om de 30 seconden en regelt de snelheid zoals hieronder aangegeven

| Hartslag | parameter      | snelheidsaanpassing |
|----------|----------------|---------------------|
| 29+ BPM  | Onder het doel | + 2,0 Km/h          |
| 6~29 BPM | Onder het doel | + 1,0 Km/h          |
| 0~5 BPM  | Onder het doel | Geen aanpassing     |
| 0~5 BPM  | Boven het doel | Geen aanpassing     |
| 6~29 BPM | Boven het doel | - 1,0 Km/h          |
| 29+ BPM  | Boven het doel | - 2,0 Km/h          |

### ⚠️ OPMERKING

- In het HRC-programma wordt de hellingsgraad niet gestuurd, maar u kunt zelf op elk gewenst moment de hellingsgraad wijzigen om uw workout zwaarder of minder zwaar te maken.
- De snelheid kan door de gebruiker op elk moment worden veranderd.
- Wanneer de vooringestelde snelheidslimiet overschreden wordt, wordt de snelheid automatisch aangepast naar de vooringestelde snelheid.
- Als er geen hartslag wordt geregistreerd, zal de loopband de workout stoppen.

### ⚠️ LET OP

- Voor deze functie is hartslagmeting vereist.

### ERP-functie

Met de ERP-functie kan de loopband automatisch naar de slaapmodus worden overgeschakeld na 4:30 minuten inactiviteit.

U kunt deze functie op de volgende manier in- en uitschakelen:

- Wanneer de loopband in de "opstartmodus" staat, kunt u switches tussen ERP inschakelen en uitschakelen door de knop "Mode" drie seconden ingedrukt te houden.
  - Als de display "1111" weergeeft, is de ERP-functie ingeschakeld. De machine schakelt over naar de slaapmodus na 4:30 minuten inactiviteit.
  - Als de display "2222" weergeeft, is de ERP-functie uitgeschakeld. De machine schakelt niet over naar de slaapmodus na 4:30 minuten inactiviteit.

### ⚠️ LET OP

- We raden aan om de ERP-functie altijd in te schakelen.

### Bluetooth & APP

- U kunt deze console via Bluetooth verbinden met een App op uw smart-apparaat. (iOS & Android)
- Breng de Bluetooth-verbinding alleen tot stand via de verbindingsmodus op de geïnstalleerde APP op uw smart-apparaat.

### ⚠️ LET OP

- Tunturi biedt uitsluitend de mogelijkheid om uw fitnessconsole via een bluetooth-verbinding aan een smart-apparaat te koppelen. Tunturi kan daarom niet aansprakelijk worden gesteld voor schade of gebreken aan producten die niet door Tunturi worden geproduceerd.
- Raadpleeg de website voor extra informatie.

## Garantie

### Garantievoorwaarden

De consument ontleent wettelijke rechten aan de van toepassing zijnde nationale wetgeving aangaande de handel in consumentengoederen en de garantie zal deze rechten niet beperken.

De "Garantie voor de Eigenaar" geldt alleen dan wanneer het toestel wordt gebruikt in de door Tunturi New Fitness BV voor dat toestel toegestane gebruiksomgeving. Voor elk toestel wordt de toegestane gebruiksomgeving beschreven in de gebruiksaanwijzing van het toestel.

### Garantievoorwaarden

De garantievoorwaarden gaan in vanaf de datum van aankoop. Deze kunnen per land verschillen. Vraag in de winkel bij u in de buurt naar de garantievoorwaarden.

### Garantiedekking

In geen enkele omstandigheid zal Tunturi New Fitness BV of een wederverkoper van Tunturi aansprakelijk zijn voor eventuele indirecte schade geleden door de koper, zoals verlies van gebruiksruimte of inkomstenderving of andere indirecte economische gevolgen.

### Garantiebeperkingen

De garantie dekt defecten van het toestel die het gevolg zijn van materiaalfouten of onjuist uitgevoerd werk, mits het toestel zijn originele samenstelling heeft. De garantie betreft alleen defecten die blijken tijdens normaal gebruik overeenkomstig de meegeleverde gebruiksaanwijzing, mits de montage-, onderhouds- en gebruiksaanwijzingen van Tunturi zijn opgevolgd. Tunturi New Fitness BV en zijn wederverkopers zijn niet aansprakelijk voor defecten tengevolge van factoren waarop zij geen invloed kunnen uitoefenen. De garantie betreft alleen de eerste eigenaar van het toestel en is alleen geldig in landen waar een geautoriseerde importeur van Tunturi New Fitness BV is gevestigd. De garantie betreft geen trainingstoestellen of onderdelen die zijn gewijzigd zonder toestemming van Tunturi New Fitness BV. De garantie dekt geen defecten tengevolge van normale slijtage, onjuist gebruik, gebruik in omstandigheden waarvoor het toestel niet is bedoeld, corrosie of schade ontstaan tijdens laden of transport.

De garantie geldt niet voor geluiden die ontstaan door het gebruik, als ze het gebruik van het apparaat niet wezenlijk belemmeren en niet veroorzaakt zijn door een defect aan het apparaat.

De garantie omvat ook geen onderhoudsmaatregelen, zoals reiniging, smering of normale inspectie van onderdelen, noch dergelijke montagewerkzaamheden die de klant zelf kan uitvoeren en die geen speciale demontage en montage van het toestel vereisen. Dit soort maatregelen zijn bijv. vervanging van monitoren, pedalen of andere vergelijkbare eenvoudige onderdelen. Garantieherstel dat is uitgevoerd door een ander dan de geautoriseerde Tunturi-vertegenwoordiger wordt niet vergoed. De garantie geldt alleen voor normaal, voorgeschreven gebruik van het product zoals beschreven in de handleiding.

## Reiniging en onderhoud

### ⚠️ WAARSCHUWING

- Verwijder voor reiniging of onderhoud de stekker uit het stopcontact.
- Gebruik geen oplosmiddelen om het toestel te reinigen.

- Blokkeer de ventilatieopeningen niet. Houd de ventilatieopeningen vrij van stof, vuil en andere belemmeringen.
- Reinig het toestel na elk gebruik met een zachte absorberende doek.
- Reinig de zichtbare onderdelen van het toestel met een stofzuiger met een kleine zuigmond.
- Controleer regelmatig of alle schroeven en moeren goed vast zitten.

### Band en loopvlak

De loopband maakt gebruik van een zeer efficiënt loopvlak met lage wrijving. De prestaties worden gemaximaliseerd wanneer het loopvlak zo schoon mogelijk wordt gehouden. Gebruik een zachte, vochtige doek of keukenpapier om de rand van de band te reinigen en het gedeelte tussen de bandrand en het frame. Probeer ook zo ver mogelijk onder de bandrand te reinigen. Dit moet u eenmaal per maand doen om de levensduur van de band en het loopvlak te

verlengen. Gebruik alleen water, geen reinigingsmiddel of schurend middel. Gebruik een oplossing van milde zeep en water en een nylon borstel om de bovenkant van de band met structuur te reinigen. Laat de band drogen voordat u deze gebruikt.

### Smeren (fig. F-4)

De riem van de looptrainer moet regelmatig op smering worden gecontroleerd. Na elke 300 uur wordt een herinnering weergegeven. In het venster TIME wordt 'OIL' weergegeven en elke 10 seconden klinkt een akoestisch signaal om u te herinneren aan de controle. Volg de onderstaande controleprocedure en schakel de melding 'OIL' en het akoestische waarschuwingssignaal uit door tijdens het signaal de knop STOP ten minste 3 seconden ingedrukt te houden.

#### ⚠ WAARSCHUWING

- Verwijder voor het smeren de stekker uit het stopcontact.

#### ⚠ VOORZICHTIG

- We raden aan de smering van de loopmat minimaal één keer per maand te controleren, omdat meer factoren dan alleen de tijd van invloed kunnen zijn voor de smeringconditie van uw loopmat.
  - Smeer de loopmat alleen indien nodig. Als u te veel smeervet aanbrengt, zal de loopmat door te weinig wrijving snel gaan slippen.
- Neem een stevige positie op de loopmat aan.
  - Houd de voorhandgreep vast en duw de loopmat met uw voeten vooruit en achteruit. De loopmat moet soepel en gelijkmatig lopen zonder geluid te maken.
  - Als de loopmat niet soepel en gelijkmatig loopt of als de loopmat helemaal niet beweegt, raak dan met uw vingertoppen de onderkant van de loopmat aan om de smering te controleren:
    - Als u smeermiddel voelt of als uw vingertoppen glimmen, dan bevindt zich nog voldoende smering op de loopmat.
    - Als u geen smeervet voelt of als uw vingertoppen stoffig of ruw aanvoelen, breng dan smeermiddel (15-20 ml) aan in het midden van de loopmat onder de band zelf en laat het toestel minstens 5 minuten bij 5 km/h lopen.
    - Klap het toestel na smering niet in voordat het minstens 20 minuten gebruikt is voor een training met een snelheid van minstens 5 km/h. Het smeermiddel wordt gelijkmatig over de loopmat verdeeld.

### Stof op band

Dit treedt op tijdens normaal eerst gebruik of totdat de band is gestabiliseerd. Verwijder het stof met een vochtige doek om ophoping van stof te minimaliseren.

### Algemene reiniging

Vuil, stof en dierenharen kunnen luchtinlaten blokkeren en zich op de band ophopen. U moet maandelijks onder de loopband stofzuigen om ophoping te voorkomen. U moet tweemaal per jaar de zwarte motorkap verwijderen en eventueel opgehoopt vuil met de stofzuiger verwijderen.

HAAL EERST DE STEKKER UIT HET STOPCONTACT VOORDAT U DIT DOET.

### Bandafstellingen

U moet afstellingen doorvoeren bij de achterste roller. De afstelbouten bevinden zich aan het einde van de staprails in de eindkapjes,

- Draai de achterste rollerbouten net genoeg aan (rechtsom) om verschuiving bij de voorste roller te voorkomen. Draai beide afstelbouten voor de bandspanning aan in stappen van 1/4 slag en controleer op juiste spanning door op de band te lopen met lage snelheid. Zorg dat de band niet verschuift. Blijf de bouten aandraaien totdat de band niet meer verschuift.
- Als u van mening bent dat de bandspanning goed is maar de band nog steeds verschuift, wordt het probleem mogelijk veroorzaakt door een losse motoraandrijfriem onder de voorkap.

- Niet te strak aandraaien Als u de bouten te strak aandraait, raakt de band beschadigt en zullen de lagers vroegtijdig slijten.

### Bandloop afstellen:

De prestaties van het apparaat zijn afhankelijk van het feit of het frame op een redelijk vlak oppervlak staat. Als het frame niet waterpas staat, kunnen de voor- en achterrollers niet parallel draaien, waardoor de band constant opnieuw moet worden afgesteld.

Het apparaat is zo ontworpen dat de band tijdens gebruik zoveel mogelijk in het midden blijft. Het is bij sommige banden normaal dat deze naar de zijkant bewegen terwijl de band loopt zonder dat er iemand op staat. Na enkele minuten van gebruik zal de band de neiging hebben zich te centreren. Als tijdens gebruik de band nog steeds naar de zijkant beweegt, is afstelling noodzakelijk.

### UITZONDERING:

tijdens revalidatie, waarbij het ene been van de gebruiker sterker is dan het andere, kan het voorkomen dat de band naar de zijkant beweegt. In dat geval moet u de bandloop niet opnieuw afstellen, tenzij de band zich bij normaal gebruik niet centreert.

### Bandloop instellen (fig. F-5)

Het apparaat wordt geleverd met een inbussleutel om de achterste roller af te stellen. Voer afstellingen uitsluitend aan vanaf de linkerkant. Stel de bandsnelheid in op circa 3 tot 5 km/u.

Houd er rekening mee dat een kleine verandering een groot verschil kan maken!

Draai de bout rechtsom om de band naar rechts te verplaatsen; draai de bout linksom om de band naar links te verplaatsen. Draai de bout slechts 1/4 slag en wacht enkele minuten terwijl de band zichzelf afstelt. Blijf de bout draaien in stappen van 1/4 slag totdat de band zich stabiliseert in het midden van het loopvlak.

De bandloop moet mogelijk periodiek opnieuw worden afgesteld, afhankelijk van gebruik en loop-/renkarakteristieken. Sommige gebruikers zullen een ander effect hebben op de bandloop. Ga ervan uit dat u afstellingen zult moeten doorvoeren om de band te centreren. Afstellingen zullen steeds minder een onderhoudsprobleem worden naarmate de band meer wordt gebruikt. Juiste bandloop is de verantwoordelijkheid van de eigenaar en is van toepassing op alle loopbanden.

### ⚠ LET OP

- Schade aan de band als gevolg van onjuiste afstelling van bandloop/bandspanning valt niet onder de garantie.

## Gebruiksstorings

Ondanks voortdurende kwaliteitscontroles, kunnen er defecten of storings optreden die het gevolg zijn van het niet goed functioneren van onderdelen die in de looptrainer zijn gebruikt. In de meeste gevallen is het onnodig om het gehele apparaat ter reparatie aan te bieden, aangezien de storing meestal kan worden opgelost door het vervangen van het defecte onderdeel.

Mochten er storings optreden bij het gebruik van de trainer, neem dan onmiddellijk contact op met uw Tunturi dealer. Vermeldt daarbij altijd het model en het serienummer van uw Tunturi trainer, de eventuele storingscode en door wie de trainer is geïnstalleerd.

Vermeldt bij het bestellen van onderdelen het model, het serienummer van het apparaat en het nummer van het onderdeel. Op de laatste pagina's van deze gids vindt u de onderdelenlijst.

## Instellingen - metriek/imperiaal

Als de weergegeven snelheid niet overeenkomt met uw verwachtingen, is de machine wellicht niet goed ingesteld.

Metriek: Min./ Max. snelheid:  
0.8 Km/h/ 22.0 km/h.  
Imperiaal: Min./ Max. snelheid:  
0.5 Mls/h/ 13.7 Mls/h.

### Wijzig eenheid:

Verwijder de veiligheidssleutel. (Op de console ziet u E7)  
Houd de knoppen Prog en Mode drie seconden lang ingedrukt.  
Op de console ziet u kort:  
- 0.5 Als u naar modus Imperiaal schakelt.  
- 0.8 Als u naar modus Metriek schakelt.  
Plaats de veiligheidssleutel weer terug.

## Foutcodes

Als de display een foutcode toont (aangegeven met "E" + nummer), start dan het toestel opnieuw op en controleer of de foutcode nog steeds op de display verschijnt. Als de display nog steeds de foutcode toont, neem dan onmiddellijk contact op met de dealer.

### ⚠ LET OP

- E7 is geen foutcode, zie "Veiligheidssleutel".

## Transport en opslag

### ⚠ WAARSCHUWING

- Verwijder voor reiniging of onderhoud de stekker uit het stopcontact.
- Draag en verplaats het toestel met minstens twee personen.
- Zorg ervoor dat zich geen andere personen of voorwerpen onder het toestel bevinden.
- Zorg er bij het inklappen van het toestel voor dat u hoort dat het toestel op zijn plaats vergrendelt ter voorkoming dat het toestel omlaag komt.

### ⚠ VOORZICHTIG

- Zorg er voor het inklappen van het toestel voor dat de helling van het toestel 0% is. Als de helling niet 0% is, wordt het mechanisme door het inklappen beschadigd.
- Verplaats het toestel zoals afgebeeld (fig. F3). Verplaats het toestel en zet het voorzichtig neer. Zorg voor een beschermende laag onder het toestel om schade aan het vloeroppervlak te voorkomen. Verplaats het toestel voorzichtig over een ongelijke ondergrond. Breng het toestel niet met behulp van de wielen naar boven, maar draag het toestel bij de handgrepen.
- Berg het toestel in staande positie op (fig. F1). Berg het toestel op een droge plaats op met zo weinig mogelijk temperatuurwisselingen.

## Aanvullende informatie

### Afvoeren van verpakkingsmateriaal

Overheids-richtlijnen geven aan dat we de hoeveelheid afvalmateriaal afgevoerd naar stortplaatsen moeten verminderen. Daarom vragen we u al het afvalmateriaal op verantwoorde wijze af te voeren naar openbare recycling-centra.

### Verrijding aan het eind van de levensduur.

We hopen dat u jarenlang plezier hebt van uw fitnessapparaat. Er komt echter een moment waarop het fitnessapparaat het eind van de bruikbare levensduur heeft bereikt. Onder de Europese AEEA-wetgeving bent u verantwoordelijk voor het op de juiste wijze afvoeren van uw fitnessapparaat naar een erkend openbaar inzamelpunt.

## Technische gegevens

| Parameter               | Meet-eenheid | Waarde           |
|-------------------------|--------------|------------------|
| Netspanning             | VAC          | 210 ~ 240        |
| Spanning frequentie     | HZ           | 50 ~ 60          |
| Motor                   | HP           | 2.5<br>5.5 Max.  |
| Snelheid                | Km/H         | 0.8 ~ 22.0       |
| Snelheid                | Mph          | 0.5 ~ 13.7       |
| Helling-graad           | Stap         | 0 ~ 15           |
| Lengte (ingeklapt)      | Cm           | 193.0<br>(137.0) |
| Lengte (ingeklapt)      | Inch         | 76.0<br>(53.9)   |
| Breedte                 | Cm           | 82.5             |
| Breedte                 | Inch         | 32.5             |
| Hoogte (ingeklapt)      | Cm           | 149.0<br>(155.0) |
| Hoogte (ingeklapt)      | Inch         | 58.7<br>(61.0)   |
| Gewicht                 | Kg           | 117.0            |
| Gewicht                 | Lbs          | 257.9            |
| Max. gebruikers gewicht | Kb           | 150              |
| Max. gebruikers gewicht | Lbs          | 330              |
| HR ontvanger            | Khz          | 5.3 Khz          |

## Verklaring van de fabrikant

Tunturi New Fitness BV verklaart dat het product voldoet aan de volgende normen en richtlijnen: EN 957 (HA), 89/336/EEG. Het product is derhalve voorzien van het CE-label.

12-2019

Tunturi New Fitness BV  
Purmerweg 1  
1311 XE Almere  
The Netherlands

## Disclaimer

© 2019 Tunturi New Fitness BV  
Alle rechten voorbehouden.

Het product en de handleiding zijn aan veranderingen onderhevig. Specificaties kunnen zonder verdere kennisgeving worden veranderd.



## Italiano

Questo manuale in lingua italiana è una traduzione dalla versione originale del manuale in lingua inglese.  
Non si possono trarre diritti di traduzione dalla presente traduzione.

## Indice

|  |           |
|--|-----------|
| <b>Tapis roulant</b> .....                             | <b>53</b> |
| <b>Precauzioni di sicurezza</b> .....                  | <b>53</b> |
| Sicurezza elettrica .....                              | 53        |
| <b>Istruzioni di montaggio</b> .....                   | <b>54</b> |
| Descrizione (fig. A) .....                             | 54        |
| Contenuto dell'imballaggio (fig. B&C) .....            | 54        |
| Assemblaggio (fig. D) .....                            | 54        |
| Accessori (fig. H) .....                               | 54        |
| Allenamenti .....                                      | 54        |
| Istruzioni per l'esercizio .....                       | 54        |
| Frequenza cardiaca .....                               | 55        |
| <b>Utilizzo</b> .....                                  | <b>55</b> |
| <b>Console (fig. E-1)</b> .....                        | <b>56</b> |
| Pulsanti .....   | 56        |
| Spiegazione degli elementi visualizzati (Fig. H) ..... | 57        |
| Funzione USB .....                                     | 57        |
| <b>Programmi</b> .....                                 | <b>57</b> |
| Avvio rapido .....                                     | 57        |
| Modalità target conto alla rovescia (P0) .....         | 57        |
| Terminare l'allenamento .....                          | 57        |
| Programmi preimpostati (P1~P36) .....                  | 57        |
| Programmi utente (U01~U03) .....                       | 58        |
| Grasso corporeo .....                                  | 58        |
| Programma HRC .....                                    | 58        |
| Funzione ERP .....                                     | 59        |
| Bluetooth & APP .....                                  | 59        |
| <b>Garanzia</b> .....                                  | <b>59</b> |
| <b>Pulizia e manutenzione</b> .....                    | <b>59</b> |
| Lubrificazione (fig. J) .....                          | 60        |
| <b>Disturbi durante l'uso</b> .....                    | <b>60</b> |
| Impostazioni metriche/imperiali .....                  | 60        |
| Codici di errore .....                                 | 61        |
| <b>Trasporto e stoccaggio</b> .....                    | <b>61</b> |
| Informazioni aggiuntive .....                          | 61        |
| <b>Dati tecnici</b> .....                              | <b>61</b> |
| <b>Dichiarazione del fabbricante</b> .....             | <b>61</b> |
| <b>Clausola di esonero della responsabilità</b> .....  | <b>61</b> |

## Tapis roulant

Benvenuti nel mondo di Tunturi Fitness!

Grazie per aver acquistato questo apparecchio Tunturi. Tunturi offre un'ampia gamma di apparecchi per fitness professionale, fra cui crosstrainer, tapis roulant, cyclette, e vogatori e. Questo apparecchio Tunturi è adatto per tutta la famiglia, a prescindere dal livello di forma fisica. Per ulteriori informazioni, visitare il sito Web [www.tunturi.com](http://www.tunturi.com)

### Importanti istruzioni di sicurezza

Questo libretto di istruzioni è una parte essenziale della tua attrezzatura da ginnastica. Leggi con attenzione quanto scritto in questa guida, prima del montaggio dei pezzi e prima di fare uso dell'attrezzo o di effettuarne qualunque manutenzione. Ti raccomandiamo pure di conservare la presente guida in un luogo sicuro e a portata di mano; essa ti fornirà, adesso e nel futuro, tutte le istruzioni necessarie all'uso e alla manutenzione della tua attrezzatura da ginnastica. Tali istruzioni devi seguirle sempre con molta attenzione!

## Precauzioni di sicurezza

### ⚠ ATTENZIONE

- Leggere le precauzioni di sicurezza e le istruzioni. La mancata osservanza delle precauzioni di sicurezza e delle istruzioni può causare lesioni personali o danni all'apparecchio. Conservare gli avvisi di sicurezza e le istruzioni per future consultazioni.

### ⚠ ATTENZIONE

- Il sistema di monitoraggio della frequenza cardiaca può essere impreciso. L'eccessivo esercizio può causare serie lesioni o perfino il decesso. Se si avverte spossatezza, interrompere immediatamente l'allenamento.

- L'apparecchio è adatto esclusivamente per un uso domestico, non professionale. L'apparecchio non è idoneo per scopi commerciali.
- L'utilizzo massimo è limitato fino a 6 ore al giorno
- L'uso di questo apparecchio da parte di bambini o persone con handicap fisici, sensoriali, mentali o motori o privi di esperienza e di competenze può causare pericoli. Le persone responsabili per la loro sicurezza devono fornire esplicite istruzioni o supervisionare l'uso dell'apparecchio.
- Prima di iniziare l'allenamento, consultare un medico per verificare il proprio stato di salute.
- Se si avvertono nausea, vertigini o altri sintomi anomali, interrompere immediatamente l'allenamento e consultare un medico.
- Per evitare dolori muscolari e sforzi, iniziare ogni allenamento con una fase di riscaldamento e terminare ogni allenamento con una fase di defaticamento. Ricordarsi di eseguire lo stretching al termine dell'allenamento.
- L'apparecchio è adatto esclusivamente per un uso in interni. L'apparecchio non è idoneo per un uso all'aperto.
- Utilizzare l'apparecchio in un ambiente con ventilazione adeguata. Non utilizzare in ambienti esposti alle correnti d'aria per non prendere un raffreddore.
- Utilizzare l'apparecchio esclusivamente in ambienti con temperature comprese fra 10 °C e 35 °C. Conservare l'apparecchio esclusivamente in ambienti con temperature comprese fra 5 °C e 45 °C.
- Non utilizzare o riporre l'apparecchio in ambienti umidi. L'umidità dell'aria non deve mai superare l'80%.
- Utilizzare l'apparecchio solo per lo scopo previsto. Non utilizzare l'apparecchio per scopi diversi da quelli descritti nel manuale.
- Non usare l'apparecchio se presenta parti danneggiate o difettose. In caso di parti danneggiate o difettose contattare il rivenditore.
- Mantenere mani, piedi e le altre parti del corpo lontani dalle parti in movimento.
- Tenere i capelli lontani dalle parti in movimento.
- Indossare indumenti e scarpe adatti.
- Mantenere abiti, gioielli e altri oggetti lontani dalle parti in movimento.
- Controllare che l'apparecchio venga utilizzato da una sola persona alla volta. L'apparecchio non deve essere utilizzato da persone di peso superiore a 150 kg (330 lbs).
- Non smontare l'apparecchio senza aver consultato il rivenditore..

### Sicurezza elettrica

(valido solo per apparecchi elettrici)

- Prima dell'uso, verificare sempre che la tensione della rete elettrica corrisponda alla tensione riportata sulla targhetta nominale dell'apparecchio.
- Non utilizzare cavi di prolunga.
- Tenere il cavo di alimentazione lontano da fonti di calore, olio e bordi affilati.
- Non alterare o modificare il cavo o la spina di alimentazione.
- Non utilizzare l'apparecchio se il cavo o la spina di alimentazione sono danneggiati o difettosi. Se il cavo o la spina di alimentazione risultano danneggiati o difettosi, contattare il rivenditore.
- Svolgere sempre completamente il cavo di alimentazione

- Non far passare il cavo di alimentazione sotto l'apparecchio. Non far passare il cavo di alimentazione sotto un tappeto. Non collocare alcun oggetto sul cavo di alimentazione.
- Verificare che il cavo di alimentazione non sporga sul bordo di un tavolo. Verificare che il cavo di alimentazione non possa rimanere accidentalmente impigliato o causare inciampanti.
- Non lasciare l'apparecchio incustodito quando la spina di alimentazione è collegata alla presa a muro.
- Non tirare il cavo di alimentazione per rimuovere la spina dalla presa a muro.
- Scollegare la spina di alimentazione dalla presa a muro quando l'apparecchio non è in uso, prima di assemblare o di smontare l'apparecchio o di qualsiasi intervento di pulizia o manutenzione.

#### ⚠ ATTENZIONE

- Se il voltaggio varia del dieci per cento (10%) o più, le prestazioni del vostro tapis roulant potrebbero essere influenzate. Tali condizioni non sono coperte dalla vostra garanzia. Se sospettate che il voltaggio sia basso, contattate la vostra azienda elettrica locale o un elettricista qualificato per fare dei test appropriati.

#### ⚠ ATTENZIONE

- Non usare MAI una presa di corrente RCD (Residual Current Device) [dispositivo a corrente residua] (versione US = GFCI) con questo tapis roulant. Come con qualsiasi apparecchio con un grande motore, il dispositivo RCD/GFCI salterà spesso. Non far passare il cavo di alimentazione vicino a parti in movimento del tapis roulant, incluso il meccanismo di sollevamento e le ruote di trasporto.

#### Istruzioni per la messa a terra

Questo prodotto va messo a terra. Se il sistema elettrico del tapis roulant non funziona bene o rompersi, la messa a terra fornisce un percorso di resistenza inferiore per la corrente elettrica, riducendo il rischio di scossa elettrica. Questo prodotto è dotato di un cavo che una spina di messa a terra. La spina deve essere inserita in una presa idonea che sia stata installata correttamente e che sia messa a terra secondo le procedure e le ordinanze locali.

#### ⚠ AVVERTIMENTO

- Un collegamento scorretto del conduttore di messa a terra dell'apparecchio può comportare un rischio di scossa elettrica. In caso di dubbi sulla corretta messa a terra di questo prodotto, consultare un elettricista o addetto all'assistenza qualificato. Non modificare la spina fornita con il prodotto se non dovesse entrare nella presa di corrente; farsi installare una presa di corrente idonea da un elettricista qualificato.

## Istruzioni di montaggio

### Descrizione (fig. A)

Il tapis roulant è un apparecchio fisso per il fitness utilizzato per simulare la camminata o la corsa senza causare eccessiva pressione sulle articolazioni.

### Contenuto dell'imballaggio (fig. B&C)

- L'imballaggio contiene i componenti illustrati nella fig. B.
- L'imballaggio contiene gli elementi di fissaggio illustrati nella fig. C. Consultare la sezione "Descrizione".

#### 📌 NOTA

- Se una parte manca, contattare il rivenditore.

## Assemblaggio (fig. D)

#### ⚠ ATTENZIONE

- Assemblare l'apparecchio nell'ordine indicato.
- Per trasportare e spostare l'apparecchio sono necessarie almeno due persone.

#### ⚠ AVVISO

- Collocare l'apparecchio su una superficie stabile e in piano.
- Collocare l'apparecchio su una base protettiva per evitare danni alla superficie del pavimento.
- Mantenere uno spazio libero di almeno 1 m intorno all'apparecchio.

- Consultare le illustrazioni per il corretto assemblaggio dell'apparecchio.

## Accessori (fig. H)

#### 📌 NOTA

- L'illustrazione mostra l'istruttore con le maniglie estese adatte.
- Le maniglie estese aggiuntive possono essere acquistate come accessori.
- N. articolo: 19TRNRH000

Contattare il proprio rivenditore per ulteriori informazioni.

## Allenamenti

L'allenamento deve essere adeguatamente leggero ma di lunga durata. L'esercizio aerobico si basa sul miglioramento del consumo massimo di ossigeno del corpo che a sua volta migliora resistenza e forma fisica. Durante l'allenamento è necessario sudare ma non arrivare all'affanno. Per raggiungere e mantenere una forma fisica di base, allenarsi almeno tre volte alla settimana, per 30 minuti alla volta. Aumentare il numero di sessioni di esercizio per migliorare il livello di forma fisica. È importante combinare l'esercizio regolare con una dieta salutare. Una persona impegnata a seguire una dieta dovrà allenarsi quotidianamente, iniziando con 30 minuti o meno e aumentando gradualmente l'allenamento giornaliero fino ad un'ora. Iniziare l'allenamento a bassa velocità e con scarsa resistenza per evitare di sottoporre a uno stress eccessivo il sistema cardiovascolare. Man mano che il livello di forma fisica aumenta, è possibile aumentare gradualmente anche velocità e resistenza. L'efficienza dell'allenamento può essere misurata monitorando la frequenza cardiaca e le pulsazioni.

## Istruzioni per l'esercizio

L'utilizzo del vostro fitness trainer vi darà diversi benefici, migliorerà la vostra forma fisica, tono muscolare e, insieme a una dieta con le calorie sotto controllo, vi aiuterà a perdere peso.

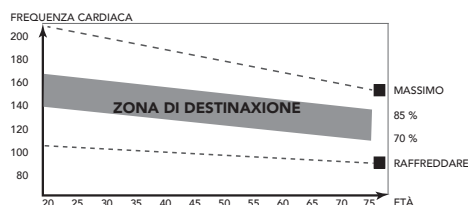
### La fase di riscaldamento

Questa fase aiuta a far scorrere il sangue nel corpo e a far funzionare correttamente i muscoli. Ridurrà anche il rischio di crampi e di lesioni muscolari. Si consiglia di fare qualche esercizio di stretching come mostrato qui di seguito. Ogni esercizio di stretching andrebbe mantenuto per circa 30 secondi, non forzare o strappare i muscoli durante l'esercizio, se si sente un dolore FERMARSI SUBITO

### La fase dell'esercizio

Questa è la fase dove fate il vostro sforzo. Dopo un uso regolare, i muscoli delle vostre gambe diventeranno più flessibili. Lavorare nell'ottica del vostro obiettivo è molto importante per mantenere un ritmo costante durante l'esercizio. La velocità del vostro lavoro dovrebbe essere sufficiente per aumentare il vostro battito cardiaco nella zona target mostrata sul grafico qui sotto.





Questa fase dovrebbe durare almeno 12 minuti anche se la maggior parte delle persone inizia a circa 15-20 minuti

### La fase di defaticamento

Questa fase consente al vostro sistema cardiovascolare e ai vostri muscoli di rilassarsi. Questa è una ripetizione dell'esercizio di riscaldamento, cioè riduce il vostro ritmo, e continua per circa 5 minuti. Gli esercizi di stretching adesso andrebbero ripetuti, ricordandosi sempre di non forzare o strappare i vostri muscoli nello stretching.

A mano a mano che sarete più in forma, potrete aver bisogno di allenarvi di più e più a lungo. Si consiglia di allenarsi almeno tre volte alla settimana, e se possibile, spalmare gli esercizi in

### Tono muscolare

Per tonificare i muscoli mentre siete sul vostro fitness trainer dovrete impostare la resistenza abbastanza alta. Questo sforzerà di più i muscoli delle vostre gambe e potrebbe voler dire che non potrete allenarvi per il tempo che avreste desiderato. Se anche voi state cercando di migliorare la vostra forma dovrete modificare il vostro programma di allenamento. Dovreste allenarvi normalmente durante le fasi di riscaldamento e di defaticamento, ma verso la fine della fase dell'esercizio dovrete aumentare la resistenza, per fare lavorare di più le vostre gambe. Dovrete ridurre la vostra velocità per mantenere la vostra frequenza cardiaca nella zona target.

### Perdere peso

Qui il fattore importante è la quantità di sforzo che mettete. Più forte e a lungo lavorate e più calorie brucerete. In effetti è uguale a come se stesse allenandovi per migliorare la vostra forma, la differenza è l'obiettivo.

## Frequenza cardiaca

### Misurazione delle pulsazioni (sensori del cardiofrequenzimetro)

Le pulsazioni vengono misurate da sensori posti sulle impugnature quando l'utente tocca entrambi i sensori contemporaneamente. Un'accurata misurazione delle pulsazioni richiede che la pelle sia leggermente umida e costantemente a contatto con i sensori del cardiofrequenzimetro. Se la pelle è troppo asciutta o troppo bagnata, la misurazione delle pulsazioni diventa meno accurata.

#### NOTA

- Non utilizzare i sensori del cardiofrequenzimetro in combinazione con una fascia toracica per la misurazione della frequenza cardiaca.
- Impostando un limite per la frequenza cardiaca, viene generato un allarme acustico al superamento di tale limite.

### Misurazione della frequenza cardiaca (fascia toracica)

#### NOTA

- La fascia toracica non è di serie con questa macchina. Se si desidera utilizzare una fascia toracica wireless, è necessario acquistarla come accessorio.

La misurazione della frequenza cardiaca più accurata si ottiene tramite una fascia cardiaca. La misurazione viene effettuata da un ricevitore della frequenza cardiaca combinato con una fascia toracica trasmittente. Per un'accurata misurazione della frequenza cardiaca, gli elettrodi sulla fascia del trasmettitore devono essere leggermente umidi e costantemente a contatto con la pelle. Se gli elettrodi sono troppo asciutti o troppo bagnati, la misurazione della frequenza cardiaca diventa meno accurata.

#### ATTENZIONE

- Se l'utente è portatore di pacemaker, consultare un medico prima di utilizzare una fascia toracica per la misurazione della frequenza cardiaca.

#### AVVISO

- In presenza di numerosi dispositivi per la misurazione della frequenza cardiaca vicini, verificare che siano almeno ad una distanza di 1,5 metri uno dall'altro.
- In presenza di un solo ricevitore e numerosi trasmettitori di frequenza cardiaca, verificare che solo una persona con un trasmettitore sia all'interno del campo di trasmissione.

#### NOTA

- Non utilizzare i sensori del cardiofrequenzimetro in combinazione con una fascia toracica per la misurazione della frequenza cardiaca.
- Indossare sempre la fascia toracica sotto gli abiti a diretto contatto con la pelle. Non indossare la fascia toracica sopra gli abiti. Indossando la fascia toracica sopra gli abiti, non sarà trasmesso alcun segnale.
- Impostando un limite per la frequenza cardiaca, viene generato un allarme acustico al superamento di tale limite.
- Il trasmettitore trasmette la frequenza cardiaca alla console fino ad una distanza di 1 metro. Se gli elettrodi non sono umidi, la frequenza cardiaca non viene visualizzata sul display.
- Alcune fibre negli abiti (ad es. poliestere, poliammide) creano elettricità statica che può impedire un'accurata misurazione della frequenza cardiaca.
- Cellulari, TV e altri apparecchi elettrici creano un campo magnetico che può impedire un'accurata misurazione della frequenza cardiaca.

### Massima frequenza cardiaca (durante l'allenamento)

La massima frequenza cardiaca è la frequenza cardiaca più elevata che una persona può raggiungere in sicurezza durante lo stress dell'allenamento. Per calcolare la massima frequenza cardiaca media, viene utilizzata la seguente formula:  $220 - \text{ETÀ}$ . La massima frequenza cardiaca varia da persona a persona.

#### ATTENZIONE

- Porre attenzione a non superare la massima frequenza cardiaca durante l'allenamento. In caso di appartenenza ad un gruppo a rischio, consultare un medico.

### Principianti 50-60% della massima frequenza cardiaca

Adatta per persone in fase di dieta dimagrante, principianti, convalescenti e per chi non fa esercizio da molto tempo. Allenarsi almeno tre volte alla settimana, per 30 minuti alla volta.

### Livello avanzato 60-70% della massima frequenza cardiaca

Adatta per coloro che desiderano migliorare e mantenere la forma fisica. Allenarsi almeno tre volte alla settimana, per 30 minuti alla volta.

### Esperti 70-80% della massima frequenza cardiaca

Adatta per le persone in perfetta forma fisica abituate ad allenamenti che richiedono molta resistenza.

## Utilizzo

### Interruttore di alimentazione principale (fig. E-2A)

L'apparecchio è dotato di un interruttore di alimentazione principale per spegnere completamente l'apparecchio.

### Per avviare l'apparecchio:

- Inserire la spina elettrica nell'apparecchio.
- Inserire la spina elettrica nella presa di corrente.
- Mettere l'interruttore principale in posizione on.

**Per spegnere l'apparecchio:**

- Mettere l'interruttore di alimentazione su off.
- Togliere la spina elettrica dalla presa elettrica.
- Togliere la spina elettrica dall'apparecchio.

**Chiave di sicurezza (Fig F-4)**

L'apparecchio è dotato di una chiave di sicurezza che deve essere inserita correttamente nella console per avviare l'apparecchio. Se togliete la chiave di sicurezza dalla console, l'apparecchio si fermerà immediatamente.

- Inserire la chiave di sicurezza nella feritoia nella console.
  - Accertarsi che la clip della chiave di sicurezza sia attaccata correttamente al vostro indumento.
- Accertarsi che la clip non venga rimossa dal vostro indumento prima che la chiave di sicurezza venga rimossa dalla console.

**NOTA**

- La console mostrerà il codice E7 quando la chiave di sicurezza non è in posizione durante l'avvio.

**Interruttore automatico (Fig. E-2B)**

L'apparecchio è dotato di un interruttore automatico che interrompe il circuito quando il carico di elettricità supera la capacità massima. Se ciò si verifica, si deve premere l'interruttore automatico.

**AVVERTIMENTO**

- Prima di premere l'interruttore automatico, togliere la spina elettrica dall'apparecchio.

Se l'apparecchio si spegne, procedere nel seguente modo per riavviare l'apparecchio:

- Togliere la spina elettrica dall'apparecchio.
- Premere l'interruttore automatico per avviare l'apparecchio.
- Inserire la spina elettrica nell'apparecchio.

**NOTA**

- Alcuni interruttori automatici usati nelle case non sono idonei per i picchi di corrente che si possono verificare quando un tapis roulant viene acceso o anche durante l'uso normale. Se il vostro tapis roulant fa scattare l'interruttore automatico (anche se ha l'ampereaggio corretto e il tapis roulant è il solo apparecchio sul circuito) ma l'interruttore sul tapis roulant stesso non scatta, dovrete sostituire l'interruttore con un tipo adatto alle correnti di picco più elevate. Questo non è un difetto coperto dalla garanzia. Si tratta di una condizione che noi, in quanto produttori, non siamo in grado di controllare.

**Aprire e ripiegare l'apparecchio (fig. F1-F2)**

L'apparecchio può essere aperto per l'uso (fig. G1) e ripiegato per il trasporto e l'immagazzinaggio (fig. G2).

Fare riferimento alle illustrazioni per un modo corretto di aprire e ripiegare l'apparecchio.

**ATTENZIONE**

- Prima di richiudere l'apparecchio, accertarsi che l'inclinazione sia dello 0%. Se l'inclinazione non è allo 0%, l'azione di chiusura danneggerà il meccanismo.

**Regolazione dei piedi di supporto**

L'apparecchio è dotato di 4 piedi di supporto. Se l'apparecchio non è stabile, è possibile regolare i piedi di supporto.

- Ruotare i piedi di supporto come necessario per rendere stabile il tapis roulant.

**NOTA**

- La stabilità della macchina è maggiore quando tutti i piedi di supporto sono completamente avvitati. Pertanto iniziare a livellare la macchina avvitando completamente tutti i piedi di supporto, prima di svitare il piede di supporto necessario a stabilizzarla.

**Console (fig. E-1)****AVVISO**

- Non esporre la console alla luce solare diretta.
- Asciugare la superficie della console se è coperta da gocce di sudore.
- Non appoggiarsi sulla console.
- Toccare il display solo con la punta delle dita. Non toccare il display con le unghie o con oggetti appuntiti.

**NOTA**

- La console passa in modalità standby quando l'apparecchio non viene utilizzato per 4 minuti.

**Pulsanti****Stop/ RESET**

- Premendo una sola volta, si arresta allenamento / tapis roulant dolcemente.
- Premendo due volte, si arresta allenamento / tapis roulant più velocemente.
- Per resettare la console, tenere premuto per 2 secondi in "modalità stop".

**Start/Pausa**

- Avvia l'allenamento selezionato, o riavvia l'allenamento messo in pausa quando si è in modalità pausa.
- Mette in pausa l'allenamento attivo.

**Prog**

- Premere per scorrere i programmi disponibili. (P0/ P1~P36/ U01~U03/ HRC1~HRC3/ FAT)

**Modalità**

- Scorrere fra i parametri di impostazione target nella modalità di programmazione.
- Reset target tempo quando si imposta l'obiettivo tempo per i programmi "P1~P36".

**Velocità +**

- Aumenta la velocità (0.8 ~ 22.0 km/h).
- Premendo una sola volta si aumenta la velocità di 0.1 km/h.
- Tenendo premuto per due secondi si aumenta la velocità più rapidamente.
- Scorrere i programmi e cambiare i valori nella modalità di programmazione.

**Velocità -**

- Diminuisce la velocità (0.8 ~ 22.0 km/h).
- Premendo una sola volta si diminuisce la velocità di 0.1 km/h.
- Tenendo premuto per due secondi si diminuisce la velocità più rapidamente.
- Scorrere i programmi e cambiare i valori nella modalità di programmazione.

**Tasti di scelta rapida:**

I tasti di scelta rapida sono impostati come 6, 9, 12.

Ad esempio, la velocità cambia da qualsiasi velocità a 9 km/h premendo il tasto di scelta rapida 9.

**Tasti di accesso rapido barra velocità:**

- + Uguale a Velocità +.
- - Uguale a Velocità -.

**Pendenza +**

- Aumenta la pendenza (0 ~ 15 +1).
- Scorrere i programmi e cambiare i valori nella modalità di programmazione.

**Pendenza -**

- Diminuisce la pendenza (0 ~ 15 -1).
- Scorrere i programmi e cambiare i valori nella modalità di programmazione.

**Tasti di scelta rapida pendenza.**

I tasti di scelta rapida Pendenza sono impostati come 0, 5, 10. Ad esempio, il livello di pendenza cambia da qualsiasi livello a 5 premendo il tasto di scelta rapida Pendenza 5.

**Tasti di accesso rapido barra pendenza:**

- + : Uguale a Pendenza +.
- - : Uguale a Pendenza -.

**Spiegazione degli elementi visualizzati (Fig. H)****Velocità**

- Mostra la velocità effettiva del tapis roulant in modalità allenamento.
- Mostra l'obiettivo di velocità in modalità programmazione.
- Mostra la selezione del programma quando si è in modalità programma.

**Pendenza**

- Visualizza la pendenza reale del tapis roulant in modalità allenamento.
- Mostra l'obiettivo di pendenza in modalità programmazione.

**Distanza**

- Mostra la modalità di allenamento distanza percorsa.
- Mostra la distanza residua quando l'allenamento è in modalità conto alla rovescia.
- Mostra l'obiettivo di distanza quando si è in modalità di programmazione.

**Tempo**

- Mostra il tempo corso in modalità allenamento.
- Mostra il tempo residuo quando l'allenamento è in modalità conto alla rovescia.
- Mostra l'obiettivo di tempo quando si è in modalità di programmazione.

**Steps**

Steps è un contapassi integrato che mostra il numero totale di passi effettuati. Funzione rileva ogni passo effettuato. Intelli-step non può essere utilizzato a bassa velocità e diventa accurato dopo 3.0 km/h, e il peso dell'utente è di almeno 40 kg.

**Cuore**

- Mostra la frequenza cardiaca in modalità allenamento, o "P" quando non viene misurata nessuna frequenza.

**Calorie**

- Mostra le calorie K consumate in modalità allenamento.
- Mostra le calorie K residue quando l'allenamento è in modalità conto alla rovescia.
- Mostra l'obiettivo di calorie K quando si è in modalità di programmazione.

**⚠️ NOTA**

- Questi dati sono una guida approssimativa per il confronto di diverse sessioni di allenamento e non possono essere usati nelle cure mediche.

**⚠️ NOTA**

- Visualizza la scansione di Tempo/ Passo, Cuore/ Pendenza e Calorie / Distanza ogni 5 secondi.

**Funzione USB**

L'utente può collegare il dispositivo per caricare durante l'allenamento.

Tensione/ Corrente: 5VDC/ 1.0 Amp

**Programmi****Avvio rapido**

- Premere il pulsante "Start/Pausa" per iniziare l'allenamento senza alcuna impostazione predefinita.
- Il tapis roulant parte alla velocità minima di 0.8 Km/h e mantiene la pendenza impostata.
- Regolare la velocità/pendenza manualmente in qualsiasi momento per cambiare l'allenamento, e stop/pausa quando lo si desidera.

**Modalità target conto alla rovescia (P0)**

La macchina deve essere in modalità avvio per accedere alla modalità Target conto alla rovescia.

Tenere premuto il pulsante "Stop/Reset" per 2 secondi per impostare tapis roulant in modalità di avvio.

- Premere il pulsante "Modalità" per selezionare la modalità di target conto alla rovescia:
  - Modalità allenamento 1: Target tempo. Usare i tasti "Velocità/Pendenza + & -" per regolare il valore. Predefinito 30:00 min. Intervallo 5:00~95:00 ± 1:00.
  - Modalità allenamento 2: Target distanza. Usare i tasti "Velocità/Pendenza + & -" per regolare il valore. Predefinito 1,00 km. Intervallo 1.00~99.00 ± 1.0.
  - Modalità allenamento 3: Conto alla rovescia calorie. Usare i tasti "Velocità/Pendenza + & -" per regolare il valore. Predefinito 50. Intervallo 20~9990 ± 10.
- Premere il tasto "Start/Pausa" per iniziare subito l'allenamento quando si imposta il target desiderato.

**⚠️ NOTA**

- Quando si imposta un target, il tapis roulant si fermerà automaticamente una volta raggiunto il target preimpostato.
- È possibile impostare un solo target.

**Terminare l'allenamento**

- Mettere in pausa l'allenamento in qualsiasi momento premendo una volta il pulsante "Start/Pausa". Il display visualizzerà "PAUSA" mentre si è in modalità pausa. Il tempo massimo di pausa preimpostato è di 4,30 min.
- Premere il pulsante "Start/Pausa" per riprendere l'allenamento mentre si è in modalità "PAUSA".
- Premere una volta il pulsante "STOP" per interrompere l'allenamento.
- Premere due volte "STOP" per resettare la console.

**Programmi preimpostati (P1~P36)**

L'apparecchio dispone di 36 programmi preimpostati con profili diversi. (Tabella fig. G.)

- Premere i pulsanti "Prog" per selezionare il programma "P1~P36", quindi il pulsante "Modalità" per confermare.
- Impostare il tempo di allenamento desiderato. Usare i tasti "Velocità/Pendenza + & -" per regolare il valore. Predefinito 30:00 min. Intervallo 5:00~95:00 ± 1:00.
- Premere il tasto "Start/Pausa" per iniziare l'allenamento.

**NOTA**

- La velocità e la pendenza sono controllate in funzione del programma selezionato.
- Un bip acustico informerà l'utente che ci sarà una modifica di velocità e/o pendenza entro alcuni secondi.
- La durata di ogni segmento è 1/16 del tempo di allenamento impostato.
- Velocità e pendenza si possono cambiare in qualsiasi momento, ma interesseranno solo il segmento del profilo attivo. Il programma seguirà nuovamente il profilo quando passerà al segmento del profilo successivo.

**Programmi utente (U01~U03)**

L'apparecchio dispone di 3 programmi utente.

Ciascuno può essere adattato in base alle esigenze personali. Ogni programma utente ha 10 passaggi. Per ogni passaggio è possibile impostare la velocità e la pendenza. Ogni passaggio impiega 1/16 del tempo totale.

- Premere i pulsanti "Prog" per selezionare il programma "U-1~U-3".
- Impostare il tempo di allenamento desiderato  
Usare i tasti "Velocità/Pendenza + & -" per regolare il valore.  
Predefinito 30:00 min.  
Intervallo 5:00~95:00 ± 1:00.
- Premere il tasto "Start/Pausa" per iniziare l'allenamento.

**Modalità programmazione profilo**

- Premere il pulsante "Prog" e selezionare U-1/ U-2 o U-3.
- Premere il pulsante "Modalità" per aprire la modalità di programmazione della velocità per il primo segmento del profilo. Impostare i valori di velocità desiderati per il primo segmento del programma usando i tasti "Velocità + & -" e confermare l'impostazione con il pulsante "Modalità".
- Si aprirà la modalità di programmazione per il segmento 2. Programmare tutti i segmenti come per il segmento 1.
- Si aprirà la modalità di programmazione della pendenza, Impostare i valori di pendenza desiderati per il primo segmento del programma usando i tasti "Pendenza + & -" e confermare l'impostazione con il pulsante "Modalità".
- Si aprirà la modalità di programmazione per la pendenza del segmento 2. Programmare tutti i segmenti di pendenza come per il segmento 1.
- Quando si conferma il 16° segmento, la finestra tempo lampeggerà per impostare il tempo di allenamento desiderato.
- Tenere premuto per 3 secondi il pulsante "Modalità" per confermare il profilo programmato.
- Impostare il tempo di allenamento desiderato  
Usare i tasti "Velocità/Pendenza + & -" per regolare il valore.  
Predefinito 30:00 min.  
Intervallo 5:00~95:00 ± 1:00.
- Premere il tasto "Start/Pausa" per avviare il programma.

**NOTA**

- Il profilo di programma utente programmato verrà salvato automaticamente in modo da poter essere utilizzato la volta successiva.

**Grasso corporeo**

Il programma Grasso corporeo serve a indicare lo stato fisico dell'utente sulla base dei parametri corporei e della frequenza cardiaca.

- Premere il pulsante "Modalità" per aprire la modalità programmazione.
- Premere i pulsanti "Prog" per selezionare il programma "GRASSO", quindi il pulsante "Modalità" per confermare.
- Il display mostra "F1" (SESSO). Il display mostra "1"  
Premere i pulsanti "Velocità/Pendenza + & -" per selezionare: 1: Maschio/ 2: Femmina. Premere il pulsante "Modalità" per confermare.

- Il display mostra "F2" (Età). Il display mostra "25"  
Premere i pulsanti "Su/Giù" per selezionare: 1~99  
premere il pulsante "Modalità" per confermare.
- Il display mostra "F3" (Altezza). Il display mostra "170" cm  
Premere i pulsanti "Su/Giù" per selezionare: 100~220 cm  
premere il pulsante "Modalità" per confermare.
- Il display mostra "F4" (Peso). Il display mostra "70" kg  
Premere i pulsanti "Su/Giù" per selezionare: 20~150 kg  
premere il pulsante "Modalità" per confermare.
- Il display mostra "F5" (Attiva)  
Impugnare i sensori di misurazione della frequenza cardiaca per attivare la misurazione "GRASSO".  
Il risultato verrà visualizzato dopo circa 5~10 secondi. Vedere "Calcolo dei risultati".

**ATTENZIONE**

- Per questa funzione è necessario tenere i sensori di misurazione della frequenza cardiaca.

**Calcolo dei risultati:**

- TIPO DI CORPO: (Rapporto grasso corporeo; 9 tipi)
 

|                     |            |
|---------------------|------------|
| • GRASSO 0 ~ 17     | Sottopeso  |
| • GRASSO 18 ~ 24    | Standard   |
| • GRASSO 28 ~ 28    | Sovrappeso |
| • GRASSO 29 ~ oltre | Obesità.   |

- BF = Grasso corporeo (in rapporto %)
- Il codice di errore "ER" sarà visualizzato se non è stata rilevata alcuna frequenza cardiaca durante il processo di misurazione del BF.

- Premere il pulsante "Stop/Reset" per uscire dal programma Grasso corporeo.

**Programma HRC**

Il programma HRC è un programma a velocità controllata basato sulla frequenza cardiaca. La velocità aumenta automaticamente quando la frequenza cardiaca è al di sotto dell'obiettivo e diminuisce quando viene superato.

- Premere i pulsanti "Prog" per selezionare "HRC"  
HRC1". Il limite di velocità massimo preimpostato è di 8 km/h  
HRC2: Il limite di velocità massimo preimpostato è di 12 km/h  
HRC3: Il limite di velocità massimo preimpostato è di 22.0 km/h,  
premere il pulsante "Modalità" per confermare.
- Impostando la propria età, il display visualizza "25"  
Premere i pulsanti "Su/Giù" per selezionare: 1~99  
premere il pulsante "Modalità" per confermare.
- Verrà visualizzata la frequenza cardiaca target, in funzione dell'età impostata. Frequenza cardiaca target = (220-età) x0,6  
Premere i pulsanti "Su/Giù" per cambiare il valore target 60~200,  
premere il pulsante "Modalità" per confermare.
- Impostando il tempo di allenamento, il display visualizza "30:00"  
Premere i pulsanti "Su/Giù" per selezionare: 5:00~99:00  
premere il pulsante "Modalità" per confermare.
- Premere il tasto "Start/Pausa" per avviare il programma.

**Funzione operativa HRC:**

- Il programma HRC inizia con un tempo di riscaldamento di un minuto (la velocità non verrà regolata automaticamente)
- La velocità iniziale è 1,0 km/h, che può essere regolata manualmente a una velocità di riscaldamento confortevole.
- La console controlla la frequenza cardiaca ogni 30 secondi e controlla la velocità come indicato qui sotto

| Frequenza cardiaca | parametro       | regolazione velocità |
|--------------------|-----------------|----------------------|
| 29+ BPM            | Sotto target    | + 2,0 Km/h           |
| 6~29 BPM           | Sotto target    | + 1,0 Km/h           |
| 0~5 BPM            | Sotto target    | Nessuna regolazione  |
| 0~5 BPM            | Oltre il target | Nessuna regolazione  |
| 6~29 BPM           | Oltre il target | - 1,0 Km/h           |
| 29+ BPM            | Oltre il target | - 2,0 Km/h           |

### NOTA

- L'impostazione della pendenza non è controllata in modalità programma HRC, ma può essere controllata dall'utente in qualsiasi momento per intensificare o facilitare l'allenamento.
- La velocità può essere cambiata in qualsiasi momento dall'utente.
- Quando la velocità supera il limite di velocità preimpostato, si regolerà automaticamente all'impostazione di velocità preimpostata.
- Se non viene rilevata alcuna frequenza cardiaca, il tapis roulant interrompe l'allenamento.

### ATTENZIONE

- Per questa funzione è necessaria la misurazione della frequenza cardiaca.

## Funzione ERP

La funzione ERP può arrestare automaticamente il tapis roulant in modalità sospensione se rimane inattivo per 4:30 minuti.

Questa funzione può essere attivata o disattivata nei seguenti modi:

- Quando il tapis roulant è in "modalità avvio", tenere premuto il tasto "Modalità" per 3 secondi per alternare fra la modalità On e Off.
- Se il display visualizza "1111" indica la modalità On. La macchina si sposterà in modalità sospensione dopo 4:30 minuti di inattività.
- Se il display visualizza "2222" indica la modalità Off. La macchina non si sposterà in modalità sospensione dopo 4:30 minuti di inattività.

### ATTENZIONE

- Consigliamo di impostare sempre la funzione ERP in modalità On.

## Bluetooth & APP

- Questa console può collegare una APP al dispositivo smart tramite Bluetooth (iOS & Android).
- Una volta che la console è collegata al dispositivo smart tramite Bluetooth, la console si spegnerà.

### NOTA

- Tunturi fornisce solo l'opzione per collegare la vostra console fitness tramite un collegamento bluetooth. Quindi Tunturi non può essere ritenuta responsabile di eventuali danni o malfunzionamento di prodotti che non siano prodotti Tunturi.
- Controllare il sito web per ulteriori informazioni. [www.tunturi.com](http://www.tunturi.com)

## Garanzia

### Condizioni di garanzia

Il consumatore è tutelato da tutti i diritti previsti dalla legislazione nazionale e riguardanti l'acquisto di beni di consumo. Questi diritti fondamentali non sono limitati dalle condizioni di garanzia. La garanzia entra in vigore solo se l'attrezzo in questione prodotto

dall'azienda Tunturi Ltd. viene utilizzato in linea con le condizioni ambientali d'uso specificate dal fabbricante. Le condizioni ambientali d'uso degli attrezzi son

### Condizioni per la garanzia

La garanzia entra in vigore dalla data dell'acquisto dell'attrezzo. Le condizioni per la garanzia possono variare in funzione del paese. Rivolgersi al rivenditore di zona per maggiori informazioni sulle condizioni per la garanzia.

### Copertura della garanzia

L'azienda Tunturi Ltd ed i suoi rappresentanti non rispondono per nessun motivo dei danni indiretti causati all'acquirente dall'attrezzo. Per danni indiretti s'intendono quelli relativi al mancato sfruttamento dell'attrezzo, mancato guadagno o altri danni di natura economica.

### Limiti di garanzia

La garanzia copre i difetti di materiale e fabbrica dell'attrezzo che si manifestano subito dopo l'acquisto. La garanzia copre solo i difetti che si manifestano durante l'uso normale e conforme alle istruzioni del manuale di installazione, manutenzione ed uso fornito da Tunturi. L'azienda Tunturi Ltd ed i suoi rivenditori non rispondono dei danni causati da eventi al di fuori del loro controllo. La garanzia riguarda solo il proprietario originario dell'attrezzo ed è in vigore solo in quei paesi in cui Tunturi Ltd dispone di un proprio rappresentante autorizzato.

La garanzia non copre i difetti di quegli attrezzi o componenti che sono stati modificati senza l'espressa autorizzazione del fabbricante Tunturi Ltd. La garanzia non copre i difetti causati dalla normale usura, da un uso in condizioni non previste, dalla corrosione, dalla movimentazione e dal trasporto.

La garanzia non copre rumori o suoni emessi durante l'uso a meno che non impediscano l'uso dell'attrezzo e che non siano causati da un guasto all'attrezzo stesso.

La garanzia non comprende nemmeno i normali interventi di servizio dell'attrezzo, come per esempio la pulizia, lubrificazione, controllo periodico dei componenti né le piccole installazioni che può effettuare il cliente stesso e che non richiedono lo smontaggio/montaggio dell'attrezzo. Questi interventi sono, per esempio, la sostituzione del pannello, dei pedali o di altri componenti analoghi. La garanzia non copre gli interventi di riparazione previsti, se non vengono eseguiti da un rappresentante autorizzato Tunturi. Se sbagliate a seguire le istruzioni del manuale d'uso, decade subito la garanzia sul prodotto.

## Pulizia e manutenzione

### ATTENZIONE

- Prima di qualsiasi intervento di pulizia o manutenzione, scollegare la spina di alimentazione dalla presa a muro.
- Non utilizzare solventi per pulire l'apparecchio.

- Non bloccare le aperture di ventilazione. Mantenere le aperture di ventilazione pulite da polvere, sporco e altre ostruzioni.
- Pulire l'apparecchio con un panno morbido e assorbente dopo ogni uso.
- Pulire la parti visibile dell'apparecchio con un aspirapolvere dotato di bocchetta a lancia.
- Verificare regolarmente che tutte le viti e i dadi siano serrati.

### Cinghia e Pedana per la corsa

Il vostro tapis roulant utilizza un fondo a bassa frizione molto efficiente. Se la pedana per la corsa viene sempre tenuta bella pulita, avrà delle migliori prestazioni. Utilizzate un panno morbido e umido, oppure della carta assorbente per pulire il bordo della cinghia e la zona fra il bordo della cinghia e il telaio. Cercate anche di arrivare, se riuscite, sotto il bordo della cinghia. Questo andrebbe fatto una volta al mese per prolungare la durata della cinghia e della pedana per la corsa. Utilizzate solo dell'acqua, niente detergenti o abrasivi. Una soluzione con acqua e sapone delicato insieme ad una spazzola in nylon pulirà la parte superiore della cinghia. Consentite alla cinghia di asciugare prima di usarla.



## Lubrificazione (fig. J)

La lubrificazione del tapis roulant deve essere controllata ogni 2 mesi, sulla base di un utilizzo medio di 60 minuti al giorno.

### ⚠ AVVERTIMENTO

- Prima della lubrificazione, togliere la spina elettrica dalla presa di corrente.

### ⚠ ATTENZIONE

- Si consiglia di controllare la lubrificazione della cinghia di scorrimento almeno una volta al mese, in quanto più fattori del tempo possono essere efficaci per le condizioni del lubrificante.
  - Lubrificare il tapis roulant solo se necessario. Se applicate troppo lubrificante, il tapis roulant slitterà facilmente a causa di una mancanza di frizione.
- Stare ben fermi sul tapis roulant.
  - Afferrare il manubrio anteriore e spingere il tapis roulant con i piedi di modo che scivoli avanti e indietro. Il tapis roulant deve muoversi senza problemi e in modo uniforme senza fare rumore.
  - Se il tapis roulant non si muove senza problemi e in modo uniforme o se non si muove per niente, toccare la parte inferiore del tapis roulant con le punte delle dita per verificare la lubrificazione:
  - Se sentite la lubrificazione o se le punte delle vostre dita sono lucide, significa che il tapis roulant è sufficientemente lubrificato.
  - Se non sentite la lubrificazione o se le punte delle vostre dita sono impolverate o ruvide, applicare del lubrificante (15-20 ml) nella parte centrale del tappeto sotto il tapis roulant e far funzionare l'apparecchio a 5km/h per almeno 5 minuti.
  - Dopo la lubrificazione, non piegare.

### Polvere sulla cinghia

Questo succede durante le normali fasi preliminari o fino a quando la cinghia non si sarà stabilizzata. Rimuovere l'eccesso di polvere con un panno umido ridurrà al minimo la formazione di polvere.

### Pulizia generale

Sporcizia, polvere, e peli di animali possono bloccare l'entrata dell'aria ed accumularsi sulla cinghia per la camminata. Mensilmente: pulire con un aspiratore sotto il tapis roulant per evitare l'accumulo di polvere. Due volte all'anno, dovrete rimuovere il coperchio del motore di colore nero e pulire con un aspiratore tutto lo sporco che potrebbe essersi accumulato.

PRIMA DI FARE QUESTO, BISOGNA STACCARE IL CAVO DI ALIMENTAZIONE..

### Registrazioni della cinghia

La registrazione deve essere fatta dal rullo posteriore. I bulloni di regolazione si trovano alla fine delle guide dei passi nei coperchi terminali, come annotato nello schema qui sotto.

- Serrare i bulloni del rullo posteriore (in senso orario) solo quanto basta per evitare lo slittamento sul rullo anteriore. Girare entrambi i bulloni di regolazione della tensione della cinghia di camminamento con incrementi di ¼ di giro ognuno e verificare che vi sia la tensione corretta camminando sulla cinghia a bassa velocità, verificando che la cinghia non slitti. Continuare a tirare i bulloni fino a quando la cinghia non slitterà più.
- Se sentite che la cinghia è sufficientemente tesa, ma continua a slittare, il problema potrebbe essere una cinghia di trasmissione del motore lenta sotto il coperchio anteriore.
- Non serrare troppo  
Un sovrasserraggio danneggerà la cinghia e causerà un guasto prematuro del cuscinetto.

### Registrazione dell'orientamento della cinghia di camminamento:

Le prestazioni del vostro tapis roulant dipendono dal telaio che deve muoversi su una superficie ragionevolmente piana. Se il telaio non è in piano, il rullo anteriore e posteriore non possono andare paralleli, e potrebbe servire una registrazione continua della cinghia. Il tapis roulant è progettato per tenere la cinghia di camminamento ragionevolmente centrata durante l'uso. E' normale che alcune

cinghie si spostino su un fianco se la cinghia gira senza nessuno sopra. Dopo alcuni minuti di utilizzo, la cinghia di camminamento dovrebbe iniziare a centrarsi da sola. Se, durante l'uso, la cinghia continua a spostarsi su un lato, è necessario effettuare delle registrazioni.

### ECCEZIONE:

Durante la riabilitazione dove l'utente utilizza una gamba più dell'altra, potrebbe succedere che la cinghia di camminamento si sposti su un lato. In questi casi non dovrete regolarla a meno che la cinghia di camminamento non si accentri.

### Per impostare l'orientamento della cinghia di camminamento (fig. F-5)

Viene fornita una chiave a brugola da 10 mm per registrare il rullo posteriore. Fare le registrazioni di orientamento solo dal lato sinistro. Impostare la velocità della cinghia a circa 3 / 5 kmh.

Ricordatevi che anche una piccola registrazione può fare moltissima differenza!

Girate il bullone in senso orario per spostare la cinghia verso destra. In senso antiorario per spostarla verso sinistra. Girare il bullone di un solo ¼ di giro e attendere qualche minuto perché la cinghia si regoli da sola. Continuare a girare con rotazioni di ¼ di giro fino a quando la cinghia non si sarà stabilizzata al centro della pedana di camminamento.

La cinghia potrebbe richiedere una registrazione dell'orientamento a seconda dell'uso e dalle caratteristiche di camminamento/corsa. Alcuni utenti influenzeranno l'orientamento in modo differente. Prevedete di fare le regolazioni richieste per centrare la cinghia. Le regolazioni diventeranno meno di una manutenzione se la cinghia è usata. Un orientamento corretto della cinghia è responsabilità del proprietario comune a tutti i tapis roulant.

### ⚠ NOTA

- I danni alla cinghia di camminamento causati da un orientamento/ registrazione di tensione non corretti non sono coperti dalla garanzia.

## Disturbi durante l'uso

Nonostante un continuo controllo della qualità, l'attrezzatura potrebbe talvolta presentare difetti e malfunzionamenti, causati da qualche singolo componente. Nella maggior parte dei casi, non c'è bisogno di mettersi a far riparare tutta l'attrezzatura, ma generalmente basta sostituire il pezzo o la parte difettosa.

Se l'attrezzo non funziona bene durante l'uso o se si ha bisogno dei pezzi di ricambio, contatta il tuo rivenditore Tunturi indicando che cosa di tratta, le condizioni in cui la usi, la data di acquisto, il modello e il numero di serie del tuo attrezzo. Si raccomanda di utilizzare sempre pezzi di ricambio originali.

Se c'è bisogno di pezzi di ricambio, è necessario sempre indicare il modello, il numero di serie della macchina e il codice del pezzo di ricambio necessario. L'elenco dei pezzi di ricambio si trova sul retro di questo manuale. Utilizzare solo i pezzi di ricambio indicati nell'elenco.

### Impostazioni metriche/imperiali

Quando la velocità visualizzata non corrisponde alle aspettative è possibile che la macchina non sia impostata correttamente.

Misure metriche: Velocità Min./ Max.:  
0,8 Km/h/ 22,0 km/h.

Misure imperiali: Velocità Min./ Max.:  
0,5 Mls/h/ 12,5 Mls/h.

**Cambiare le unità in questo modo:**

Estrarre la chiave di sicurezza. (la console mostra E7)  
 Tenere premuto il tasto "Prog" e "Modalità" per 3 secondi.  
 La console mostra brevemente:  
 - 0,5 Quando si passa alla modalità Imperiale.  
 - 0,8 Quando si passa alla modalità Metrica.  
 Riposizionare la chiave di sicurezza.

**Codici di errore**

Se il display mostra un codice di errore (contrassegnato con "E" + numero), riavviare l'apparecchio e controllare se il display continua a riportare il codice di errore. Se il display continua a riportare il codice di errore, contattare immediatamente il rivenditore.

**NOTA**

- E7 non è un codice di errore, vedi "Chiave di sicurezza"

**Trasporto e stoccaggio****ATTENZIONE**

- Prima di qualsiasi intervento di pulizia o manutenzione, scollegare la spina di alimentazione dalla presa a muro.
- Per trasportare e spostare l'apparecchio sono necessarie almeno due persone.
- Verificare che non siano presenti persone o oggetti sotto l'apparecchio.
- Ripiegando l'apparecchio, porre attenzione che si blocchi in posizione con uno scatto per evitare che ricada giù.

**AVVISO**

- Prima di piegare l'apparecchio, verificare che l'inclinazione sia 0%. Se l'inclinazione non è 0%, ripiegando l'apparecchio si può danneggiare il meccanismo.
- Spostare l'apparecchio come illustrato (fig. E3). Spostare l'apparecchio e abbassarlo con cura. Collocare l'apparecchio su una base protettiva per evitare danni alla superficie del pavimento. Spostare l'apparecchiatura con attenzione sulle superfici irregolari. Non spostare l'apparecchio al piano superiore utilizzando le ruote ma sostenerlo per le impugnature.
- Riporre l'apparecchio in posizione verticale (fig. E2). Riporre l'apparecchio in un luogo asciutto con la minore variazione di temperatura possibile.

**Informazioni aggiuntive****Smaltimento dell'imballo**

Le linee guide governative chiedono di ridurre la quantità di rifiuti smaltiti nelle discariche. Per questo vi chiediamo di smaltire in modo responsabile tutti i rifiuti d'imballo presso dei centri di riciclaggio pubblici.

**Smaltimento a fine vita**

Noi di Tunturi speriamo che possiate godervi molti anni di piacevole uso dal nostro fitness trainer. Tuttavia, arriverà il momento quando il vostro fitness trainer arriverà alla fine della sua vita utile. Secondo la Legislazione Europea WEEE voi siete responsabili per uno smaltimento appropriato del vostro fitness trainer presso una struttura di raccolta pubblica autorizzata.

**Dati tecnici**

| Parametro  | Unità di misura | Valore           |
|--|-----------------|------------------|
| Tensione di alimentazione                        | Vca             | 210 ~ 240        |
| Frequenza di alimentazione                       | HZ              | 50 ~ 60          |
| Motore   | CV              | 2.5<br>5.5 Max.  |
| Velocità   | Km/H            | 0.8 ~ 22.0       |
| Velocità   | Mph             | 0.5 ~ 13.7       |
| Inclinazione                                     | Step            | 0 ~ 15           |
| Lunghezza (ripiegato)                            | Cm              | 193.0<br>(137.0) |
| Lunghezza (ripiegato)                            | Inch            | 76.0<br>(53.9)   |
| Larghezza  | Cm              | 82.5             |
| Larghezza  | Inch            | 32.5             |
| Altezza (ripiegato)                              | Cm              | 149.0<br>(155.0) |
| Altezza (ripiegato)                              | Inch            | 58.7<br>(61.0)   |
| Peso   | Kg              | 117.0            |
| Peso   | Lbs             | 257.9            |
| Peso massimo utente                              | Kb              | 150              |
| Peso massimo utente                              | Lbs             | 330              |
| Ricevitore per la frequenza cardiaca telemetrico | Khz             | 5.3 Khz          |

**Dichiarazione del fabbricante**

Tunturi New Fitness BV dichiara che questo prodotto è conforme ai seguenti standard e direttive: EN 957 (HA), 89/336/CEE.  
 Pertanto sul prodotto è apposto il marchio CE.

12-2019

Tunturi New Fitness BV  
 Purmerweg 1  
 1311 XE Almere  
 Paesi Bassi

**Clausola di esonero della responsabilità**

© 2019 Tunturi New Fitness BV  
 Tutti i diritti riservati.

Il prodotto e il manuale sono soggetti a modifiche. Le specifiche tecniche possono essere modificate senza preavviso.



## Español

Este manual español es una traducción del texto inglés. No se pueden derivar derechos de esta traducción. El texto original en inglés prevalecerá.

## Índice

|  |           |
|--|-----------|
| <b>Cinta de correr</b> .....                               | <b>62</b> |
| <b>Advertencias de seguridad</b> .....                     | <b>62</b> |
| Seguridad eléctrica .....                                  | 62        |
| <b>Instrucciones de montaje</b> .....                      | <b>63</b> |
| Descripción (fig. A) .....                                 | 63        |
| Package contents (fig. B&C).....                           | 63        |
| Montaje (fig. D) .....                                     | 63        |
| Accesorios (fig. H) .....                                  | 63        |
| Sesiones de ejercicio.....                                 | 63        |
| Ejercicio Instrucciones.....                               | 63        |
| Del ritmo cardíaco.....                                    | 64        |
| <b>Uso</b> .....   | <b>64</b> |
| <b>Consola (fig. E-1)</b> .....                            | <b>65</b> |
| Botones.....   | 65        |
| Explicación de los elementos de la pantalla (Fig. H) ..... | 66        |
| Función de USB.....  | 66        |
| <b>Programas</b> .....                                     | <b>66</b> |
| Inicio rápido .....  | 66        |
| Modo de cuenta atrás objetivo (P0).....                    | 66        |
| Fin del entrenamiento.....                                 | 66        |
| Programas preestablecidos (P1~P36) .....                   | 66        |
| Programas del usuario (U01~U03) .....                      | 67        |
| Grasa corporal.....  | 67        |
| Programa HRC.....  | 67        |
| Función ERP .....  | 68        |
| Bluetooth & APP .....                                      | 68        |
| <b>Garantía</b> .....                                      | <b>68</b> |
| <b>Limpieza y mantenimiento</b> .....                      | <b>68</b> |
| Lubricación (fig. F-4).....                                | 69        |
| <b>Defectos De Funcionamiento</b> .....                    | <b>69</b> |
| Ajuste métrico / imperial.....                             | 70        |
| Códigos de error.....                                      | 70        |
| <b>Transporte y almacenamiento</b> .....                   | <b>70</b> |
| Información adicional.....                                 | 70        |
| <b>Datos técnicos</b> .....                                | <b>70</b> |
| <b>Declaración del fabricante</b> .....                    | <b>70</b> |
| <b>Descargo de responsabilidad</b> .....                   | <b>70</b> |

## Cinta de correr

¡Bienvenido al mundo de Tunturi Fitness!

Le agradecemos la compra de esta máquina Tunturi. Tunturi ofrece una amplia gama de máquinas de fitness profesionales como bicicletas elípticas, cintas de correr y bicicletas de ejercicio. La máquina Tunturi es adecuada para toda la familia, independientemente del nivel de forma física. Si desea información adicional, visite nuestro sitio web [www.tunturi.com](http://www.tunturi.com)

### Información y precauciones

Lea atentamente esta guía antes del montaje, uso o mantenimiento de su equipo de ejercicio. Mantenga esta guía en lugar seguro; le brindará hoy y en el futuro la información que necesite para usar y mantener su equipo. Siga siempre atentamente sus instrucciones.

## Advertencias de seguridad

### ⚠ ADVERTENCIA

- Lea las advertencias de seguridad y las instrucciones. De no seguirse las advertencias de seguridad y las instrucciones pueden producirse lesiones personales o daños en la máquina. Conserve las advertencias de seguridad y las instrucciones para su consulta posterior.

### ⚠ ADVERTENCIA

- Los sistemas de motorización de frecuencia cardíaca pueden ser imprecisos. Un exceso de ejercicio puede provocar lesiones graves o incluso la muerte. Si se siente mareado, deje de hacer ejercicio inmediatamente.
- La máquina es adecuada únicamente para uso doméstico y profesional (p. ej. hospitales, cuarteles de bomberos, hoteles, colegios, etc.). El uso máx. está limitado a 6 horas al día. La máquina no es adecuada para un uso comercial completo (p. ej. gimnasios de gran tamaño).
- El uso de esta máquina por niños o por personas con una discapacidad física, sensorial o motora, o falta de experiencia y conocimientos, puede dar lugar a situaciones de riesgo. Las personas responsables de su seguridad deben dar instrucciones explícitas o supervisar el uso de la máquina.
- Antes de empezar a hacer ejercicio, consulte con un médico para comprobar su estado de salud.
- Si experimenta náuseas, mareos u otros síntomas anormales, deje de hacer ejercicio inmediatamente y consulte con un médico.
- Para evitar dolor y tensión muscular, realice un calentamiento antes de empezar a hacer ejercicio y termine haciendo relajación. Recuerde hacer estiramientos al final de la sesión de ejercicio.
- La máquina es adecuada únicamente para uso en interior. La máquina no es adecuada para un uso en exterior.
- Utilice la máquina únicamente en lugares con una ventilación adecuada. No utilice la máquina en lugares donde haya corriente para no resfriarse.
- Utilice la máquina únicamente en lugares con una temperatura ambiente entre 10 °C y 35 °C. Almacene la máquina únicamente en lugares con una temperatura ambiente entre 5 °C y 45 °C.
- No utilice ni almacene la máquina en espacios húmedos. La humedad del aire no debe ser superior al 80%.
- Utilice la máquina sólo para su uso previsto. No la utilice para otros fines que no sean los descritos en el manual.
- La máquina no debe utilizarse si alguna de las piezas ha sufrido daños o tiene algún defecto. Contacte con su proveedor si alguna de las piezas ha sufrido daños o tiene algún defecto.
- Mantenga las manos, los pies y demás partes del cuerpo alejadas de las piezas móviles.
- Mantenga el pelo alejado de las piezas móviles.
- Lleve ropa y calzado adecuado.
- Mantenga la ropa, las joyas y otros objetos alejados de las piezas móviles.
- Asegúrese de que sólo una persona utilice la máquina cada vez. La máquina no debe ser utilizada por personas cuyo peso supere los 150 kg (330 lbs).
- No abra la máquina sin consultar con su proveedor.

### Seguridad eléctrica

(Aplicable sólo para máquinas con limitación eléctrica)

- Antes del uso, compruebe siempre que la tensión de red sea la misma que la tensión indicada en la placa de características de la máquina.
- No utilice un cable alargador.
- Mantenga el cable de red alejado del calor, de aceite y de bordes afilados.
- No altere ni modifique el cable de red o el enchufe de red.
- No utilice la máquina si el cable de red o el enchufe de red ha sufrido daños o tiene algún defecto. Si el cable de red o el enchufe de red ha sufrido daños o tiene algún defecto, contacte con su

proveedor.

- Desenrolle siempre el cable de red en su totalidad.
- No pase el cable de red debajo de la máquina. No pase el cable de red debajo de una alfombra. No coloque ningún objeto sobre el cable de red.
- Asegúrese de que el cable de red no cuelgue sobre el borde de una mesa. Asegúrese de que el cable de red no quede atrapado y que no sea posible tropezarse con él.
- No deje la máquina desatendida cuando el enchufe de red esté insertado en la toma de pared.
- No tire del cable de red para sacar el enchufe de la toma de pared.
- Retire el enchufe de red de la toma de pared cuando la máquina no se esté utilizando, antes del montaje o el desmontaje o antes de la limpieza y el mantenimiento.

#### ADVERTENCIA

- Si la tensión varía en un diez por cien (10%) o más, esto podrá afectar al rendimiento de la cinta. Esta situación no está cubierta por la garantía. Si sospecha que la tensión es baja, póngase en contacto con su compañía eléctrica o un electricista autorizado para que lo compruebe.

#### ADVERTENCIA

- No use NUNCA una toma de corriente de pared RCD -dispositivo de corriente residual (ver. EE.UU. = GFCI)- con esta cinta de correr. Como ocurre con cualquier aparato con un motor grande, el RCD/GFCI se disparará a menudo. Sitúe el cable de alimentación lejos de cualquier pieza móvil de la cinta, incluido el mecanismo de elevación y las ruedas de transporte.

### Instrucciones de toma de tierra

Este producto deberá tener una toma de tierra. Si el sistema eléctrico de la cinta se averiara o fallara, la toma de tierra proporciona una ruta de menos resistencia para la corriente eléctrica, reduciendo el riesgo de descarga eléctrica. Este producto está equipado con un cable que tiene un enchufe de toma de tierra de equipo. El enchufe se deberá enchufar en una toma adecuada que esté instalada correctamente y esté conectada a tierra conforme a todos los códigos y disposiciones locales.

#### ADVERTENCIA

- Una conexión inadecuada del conductor de toma de tierra del equipo podrá provocar un riesgo de descarga eléctrica. Compruebe con un electricista cualificado o persona de mantenimiento si tiene dudas sobre si el producto está conectado a tierra correctamente. No modifique el enchufe proporcionado con el producto si no encaja en la toma; encargue a un electricista cualificado que le instale una toma adecuada.

## Instrucciones de montaje

### Descripción (fig. A)

La cinta de correr es una máquina estacionaria de fitness que se utiliza para simular la acción de caminar o correr sin generar una presión excesiva en las articulaciones.

### Package contents (fig. B&C)

- El paquete contiene los elementos que se muestran en la fig. B.
- El paquete contiene los elementos de fijación que se muestran en la fig. C. consulte la sección "Descripción".

#### NOTA

- Si falta una pieza, contacte con su proveedor.

### Montaje (fig. D)

#### ADVERTENCIA

- Monte la máquina en el orden indicado.
- Al menos dos personas deben transportar y mover la máquina.

#### ADVERTENCIA

- Coloque la máquina sobre una superficie firme y nivelada.
- Coloque la máquina sobre una base protectora para evitar daños en la superficie del suelo.
- Deje unos 100 cm de espacio alrededor de la máquina.

- Consulte las ilustraciones para el correcto montaje de la máquina.

### Accesorios (fig. H)

#### NOTA

- La ilustración muestra cómo queda el aparato con las barras de sujeción adecuadas extendidas.
- Las barras de sujeción adicionales se pueden adquirir como accesorio.
- N° de artículo: 19TRNRH000

Póngase en contacto con su distribuidor para más información.

### Sesiones de ejercicio

La sesión de ejercicio debe ser ligera, pero de larga duración. El ejercicio aeróbico se basa en mejorar el consumo de oxígeno máximo del cuerpo, lo que a su vez mejora la resistencia y la forma física. Debe transpirar, pero no debe quedarse sin aliento durante la sesión de ejercicio. Para lograr y mantener un nivel de forma física básico, debe realizar ejercicio al menos tres veces a la semana, 30 minutos cada vez. Aumente el número de sesiones de ejercicio para mejorar su nivel de forma física. Vale la pena combinar el ejercicio regular con una dieta sana. Una persona que se encuentre a dieta debe realizar ejercicio a diario, al principio 30 minutos o menos cada vez, aumentando gradualmente el tiempo de ejercicio diario hasta una hora. Empiece la sesión de ejercicio a velocidad baja y resistencia baja para evitar que el sistema cardiovascular se vea sometido a una tensión excesiva. A medida que mejore el nivel de forma física, pueden aumentarse gradualmente la velocidad y la resistencia. La eficiencia de su ejercicio puede medirse supervisando su frecuencia cardíaca y sus pulsaciones.

### Ejercicio Instrucciones

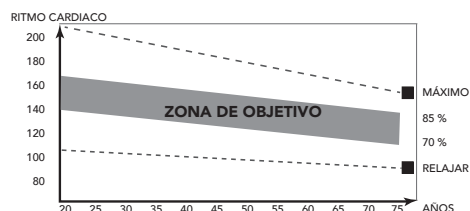
El uso de su entrenador le aportará muchas ventajas, mejorará su tono físico, tonificará los músculos y, combinado con una dieta con un consumo controlado de calorías, le ayudará a perder peso.

#### Fase de calentamiento

Esta fase mejora la circulación y favorece el buen funcionamiento de los músculos. Asimismo, reduce el riesgo de calambres y de lesiones musculares. Es conveniente realizar una serie de ejercicios de estiramiento, como se muestra más abajo. Al estirar se debe mantener la posición durante unos 30 segundos; no fuerce los músculos ni realice movimientos bruscos para estirarlos, si duele, PARE inmediatamente.

#### Fase de ejercicio

Esta es la fase de esfuerzo. Tras un uso regular, los músculos de las piernas irán ganando flexibilidad. Es importante mantener un ritmo estable durante toda esta fase. El ejercicio debe ser lo suficientemente fuerte como para incrementar el ritmo cardíaco hasta el objetivo que se muestra en el siguiente cuadro.



Esta fase debe tener una duración mínima de 12 minutos, aunque la mayoría de las personas empiezan a los 15-20 minutos.

### Fase de enfriamiento

La finalidad de esta fase es permitir que se relaje el sistema cardiovascular y los músculos. Es una repetición del ejercicio de calentamiento, por lo que debe ir reduciendo el ritmo de manera constante durante unos 5 minutos. En este momento debe repetir también los ejercicios de estiramiento, evitando de nuevo forzar los músculos o hacer movimientos bruscos.

A medida que vaya mejorando su forma física, es posible que el entrenamiento tenga que ser más largo e intenso. Es aconsejable entrenarse al menos tres veces a la semana, espaciando de manera uniforme, en la medida de lo posible, los entrenamientos durante la semana.

### Tonificación muscular

Si quiere tonificar los músculos mientras trabaja con el aparato, deberá ajustar la resistencia en un nivel bastante alto. Así aumentará la tensión sobre los músculos de las piernas, con lo que es posible que no pueda entrenarse durante todo el tiempo que le gustaría. Si quiere mejorar su condición física, tendrá que modificar también el programa de entrenamiento. El entrenamiento durante las fases de calentamiento y enfriamiento será igual, pero debe aumentar la resistencia hacia el final de la fase de ejercicio para incrementar el esfuerzo del tren inferior. Tendrá que reducir la velocidad para mantener el ritmo cardíaco en la zona objetivo.

### Pérdida de peso

El factor determinante en este sentido es el esfuerzo realizado. Cuanto más intenso y prolongado sea el ejercicio físico, más calorías quemará. En realidad, es lo mismo que si se entrenara para mejorar la condición física, lo que cambia es el objetivo.

## Del ritmo cardíaco

### Medición de las pulsaciones (sensor de pulsaciones de mano)

Las pulsaciones se miden con unos sensores en los manillares cuando el usuario toca ambos sensores al mismo tiempo. ligeramente húmeda y tocar constantemente los sensores de pulsaciones de mano. Si la piel está demasiado seca o demasiado húmeda, la medición de las pulsaciones puede resultar menos precisa.

#### NOTA

- No utilice los sensores de pulsaciones de mano en combinación con una correa en el pecho para la frecuencia cardíaca.
- Si define un límite de frecuencia cardíaca para su sesión de ejercicio, cada vez que éste se supere sonará una alarma.

### Medición de la frecuencia cardíaca (correa en el pecho para la frecuencia cardíaca)

#### NOTA

- Una correa de pecho no viene de serie con este entrenador. Cuando te gusta usar una correa de cofre inalámbrica, debes comprarla como accesorio.

La medición más precisa de la frecuencia cardíaca se logra con una correa en el pecho para la frecuencia cardíaca. La frecuencia cardíaca se mide con un receptor de frecuencia cardíaca en combinación con una correa transmisora de la frecuencia cardíaca. Para una medición precisa de la frecuencia cardíaca es necesario que los electrodos de la correa transmisora estén ligeramente húmedos y que toquen constantemente la piel. Si los electrodos están demasiado secos o

demasiado húmedos, la medición de la frecuencia cardíaca puede resultar menos precisa.

#### ADVERTENCIA

- Si usted tiene un marcapasos, consulte con un médico antes de utilizar una correa en el pecho para la frecuencia cardíaca.

#### PRECAUCIÓN

- Si hay varios dispositivos de medición de frecuencia cardíaca en proximidad, asegúrese de que la distancia entre ellos sea de al menos 2 metros.
- Si sólo hay un receptor de frecuencia cardíaca y varios transmisores, asegúrese de que sólo una persona con un transmisor se encuentre en la zona de transmisión.

#### NOTA

- No utilice una correa en el pecho para la frecuencia cardíaca en combinación con sensores de pulsaciones de mano.
- Lleve siempre la correa en el pecho para la frecuencia cardíaca debajo de la ropa, en contacto directo con la piel. No lleve la correa en el pecho para la frecuencia cardíaca por encima de la ropa. Si lleva la correa en el pecho para la frecuencia cardíaca por encima de la ropa, no habrá señal.
- Si define un límite de frecuencia cardíaca para su sesión de ejercicio, cada vez que éste se supere sonará una alarma.
- El transmisor transmite la frecuencia cardíaca a la consola hasta una distancia de 1,5 metro. Si los electrodos no están húmedos, la frecuencia cardíaca no aparece en la pantalla.
- Algunas fibras de la ropa (p. ej. poliéster, poliamida) generan electricidad estática, la cual puede impedir la medición precisa de la frecuencia cardíaca.
- Los teléfonos móviles, las televisiones y otros aparatos eléctricos generan un campo electromagnético que puede impedir la medición precisa de la frecuencia cardíaca.

### Frecuencia cardíaca máxima (durante el entrenamiento)

alcanzar una persona de forma segura por la tensión del ejercicio. Se utiliza la siguiente fórmula para calcular la frecuencia cardíaca máxima media:  $220 - \text{EDAD}$ . La frecuencia cardíaca máxima varía según la persona.

#### ADVERTENCIA

- Asegúrese de no superar la frecuencia cardíaca máxima durante la sesión de ejercicio. Si usted se encuentra en un grupo de riesgo, consulte con un médico.

### Principiante 50-60% de frecuencia cardíaca máxima

Adecuada para principiantes, personas que cuidan la línea, convalecientes y personas que no han hecho ejercicio en mucho tiempo. Haga ejercicio al menos tres veces a la semana, 30 minutos cada vez.

### Avanzado 60-70% de frecuencia cardíaca máxima

Adecuada para personas que desean mejorar y mantener la forma física. Haga ejercicio al menos tres veces a la semana, 30 minutos cada vez.

### Experto 70-80% de frecuencia cardíaca máxima

Adecuado para personas con muy buena forma física que están acostumbradas a sesiones de ejercicio de gran resistencia.

## Uso

### Interruptor de alimentación principal (fig. E-2A)

La máquina está equipada con un interruptor de alimentación principal para poder a pagarla completamente.

**Para poner en marcha la máquina:**

- Inserte el enchufe de red en la máquina.
- Inserte el enchufe de red en la toma de pared.
- Sitúe el interruptor de alimentación principal en la posición de encendido (ON).

**Para parar la máquina:**

- Sitúe el interruptor de alimentación principal en la posición de apagado (OFF).
- Retire el enchufe de red de la toma de pared.
- Retire el enchufe de red de la máquina.

**Llave de seguridad (fig. F-4)**

La máquina está equipada con una llave de seguridad que debe insertarse correctamente en la consola para poner en marcha la máquina. Si retira la llave de seguridad de la consola, la máquina se para inmediatamente.

- Inserte la llave de seguridad en la ranura de la consola.
- Asegúrese de que la pinza de la llave de seguridad esté bien sujeta a su ropa. Asegúrese de no retirar la pinza de su ropa antes de retirar la llave de seguridad de la consola.

**NOTA**

- La consola mostrará el código E7 cuando la llave de seguridad no esté en posición durante el inicio.

**Disyuntor (Fig. E-2B)**

La máquina está equipada con un disyuntor que interrumpe el circuito cuando la carga eléctrica está por encima de la capacidad máxima. Cuando esto ocurra, debe pulsarse el disyuntor.

**ADVERTENCIA**

- Antes de pulsar el disyuntor, retire el enchufe de red de la máquina.

Si la máquina se apaga, haga lo siguiente para reiniciarla:

- Retire el enchufe de red de la máquina.
- Pulse el disyuntor para reiniciar la máquina.
- Inserte el enchufe de red en la máquina.

**NOTA**

- Algunos disyuntores usados en las casas no son idóneos para elevadas corrientes de irrupción que pueden producirse cuando se enciende por primera vez una cinta de correr o incluso durante el uso normal. Si la cinta está disparando el disyuntor (incluso aunque sea de la clase de corriente correcta y la cinta sea el único aparato del circuito), pero el disyuntor de la cinta en sí no se dispara, tendrá que sustituir el disyuntor por uno de clase de irrupción elevada. No es un defecto cubierto por la garantía. Es una situación que nosotros, como fabricantes, no podemos controlar.

**Desplegado y plegado de la máquina (fig. F1-F2)**

La máquina puede desplegarse para su uso (fig. F1) y plegarse para el transporte y el almacenamiento (fig. F2).

Consulte las ilustraciones para conocer la forma correcta de desplegar y plegar la máquina.

**ADVERTENCIA**

- Asegúrese que la elevación de la cinta de correr está al 0% antes de plegarla. Si la elevación no está al 0%, plegarla podría dañar el mecanismo.

**Ajuste de los pies de soporte**

La máquina está equipada con 6 pies de soporte. Si la máquina no está estable, es posible ajustar los pies de soporte.

- Gire los pies de soporte tanto como sea necesario para estabilizar la máquina.
- Apriete las contratueras para bloquear los pies de soporte.

**NOTA**

- La máquina es más estable cuando todos los pies de soporte están totalmente girados hacia dentro. Por tanto, empiece a nivelar la máquina girando totalmente hacia dentro todos los pies de soporte, antes de girar hacia fuera el pie de soporte necesario.

**Consola (fig. E-1)****PRECAUCIÓN**

- Mantenga la consola alejada de la luz solar directa.
- Seque la superficie de la consola cuando esté cubierta de gotas de sudor.
- No se apoye en la consola.
- Toque la pantalla únicamente con la punta del dedo. Asegúrese de no tocar la pantalla con las uñas ni objetos afilados.

**NOTA**

- La consola pasa al modo de espera activa cuando la máquina no se usa durante 4 minutos.

**Botones****Stop/ Reset**

- Pulse una vez para parar el entrenamiento/ cinta de correr suavemente.
- Pulse dos veces para parar el entrenamiento/ cinta de correr más deprisa.
- La consola se reinicia si se mantiene pulsado durante 2 segundos en "modo de parada"

**Start/ Pause**

- Inicia el entrenamiento seleccionado o reinicia el entrenamiento si está en modo pausa.
- Hace una pausa en un entrenamiento activo.

**Prog**

- Pulse para ir por los programas posibles.  
(P0/ P1~P36/ U01~U03/ HRC1~HRC3/ FAT)

**Mode**

- Muévase entre los parámetros fijados como objetivo en el modo de programación.
- Restablezca el objetivo de tiempo cuando ajuste la meta de tiempo para programas "P1~P36".

**Speed +**

- Aumenta la velocidad (0.8 ~ 22.0 km/h).
- Cada pulsación aumenta la velocidad 0.1 km/h.
- Si se mantiene pulsado durante dos segundos la velocidad aumenta más rápidamente.
- Desplácese por los programas y cambie los valores en modo de programación.

**Speed -**

- Reduce la velocidad (0.8 ~ 22.0 km/h).
- Cada pulsación reduce la velocidad 0.1 km/h.
- Si se mantiene pulsado durante dos segundos la velocidad disminuye más rápidamente.
- Desplácese por los programas y cambie los valores en modo de programación.

**Teclas de acceso rápido de velocidad:**

Las teclas de acceso rápido de velocidad son 6, 9, 12. Por ejemplo, la velocidad cambia de cualquier velocidad a 9 km/h pulsando la tecla de acceso rápido de velocidad 9.

**Teclas de acceso rápido de velocidad del manillar:**

- + La misma que Speed +.
- - La misma que Speed -.

**Incline +**

- Aumenta la inclinación (0 ~ 15 +1).
- Desplácese por los programas y cambie los valores en modo de programación.

**Incline -**

- Reduce la inclinación (0 ~ 15 -1).
- Desplácese por los programas y cambie los valores en modo de programación.

**Teclas de acceso rápido de inclinación**

Las teclas de acceso rápido de inclinación se configuran como 0, 5, 10.

Por ejemplo, el nivel de inclinación cambia de cualquier nivel a 5 pulsando la tecla de acceso rápido de inclinación 5.

**Teclas de acceso rápido de inclinación del manillar:**

- + : La misma que Incline +.
- - : La misma que Incline -.

**Explicación de los elementos de la pantalla (Fig. H)****Velocidad**

- Muestra la velocidad real de la cinta en modo de entrenamiento.
- Muestra la velocidad objetivo en modo de programación.
- Muestra la selección de programa cuando se encuentra en modo de programa.

**Inclinación**

- Muestra la inclinación real de la cinta en modo de entrenamiento.
- Muestra la inclinación objetivo en modo de programación.

**Distancia**

- Muestra la distancia recorrida en modo de entrenamiento.
- Muestra la distancia que queda cuando el entrenamiento está en modo cuenta atrás.
- Muestra la distancia objetivo cuando se encuentra en modo de programación.

**Tiempo**

- Muestra el tiempo de entrenamiento en modo de entrenamiento.
- Muestra el tiempo que queda cuando el entrenamiento está en modo cuenta atrás.
- Muestra el tiempo objetivo cuando se encuentra en modo de programación.

**Steps**

La consola es capaz de contar el número de pasos dados durante el entrenamiento cuando mantiene la velocidad por encima de 3.0 km/h, y el peso del usuario es de al menos 40 kg.

**Corazón**

- Muestra la frecuencia cardíaca en modo de entrenamiento, o "P" cuando no se mide la frecuencia.

**Calorías**

- Muestra las kilocalorías consumidas en modo de entrenamiento.
- Muestra las kilocalorías que quedan cuando el entrenamiento está en modo cuenta atrás.
- Muestra las kilocalorías objetivo cuando se encuentra en modo de programación.

**!! NOTA**

- Estos datos sirven como guía para comparar sesiones distintas de ejercicio que no se pueden utilizar en tratamientos médicos.

**!! NOTA**

- La pantalla actualiza el Tiempo/ Paso, Corazón/ Inclinación y Calorías/ Distancia cada 5 segundos.

**Función de USB**

El usuario puede conectar su mecanismo para cargarlo durante el entrenamiento.

Spannung/ Strom: 5VDC/ 1.0 Amp

**Programas****Inicio rápido**

- Pulse el botón "Start/Pause" para empezar la sesión sin ningún ajuste predeterminado.
- La cinta de correr se pondrá en funcionamiento a una velocidad mínima de 0.8 Km/h y mantendrá el ajuste de inclinación establecido en ese momento.
- Ajuste manualmente Velocidad / Inclinación en cualquier momento para cambiar el entrenamiento y pulse stop/ pause en cualquier momento.

**Modo de cuenta atrás objetivo (P0)**

La máquina deberá estar en modo de inicio para acceder al modo de cuenta atrás objetivo.

Mantenga pulsado el botón "Stop/ Reset" durante 2 segundos para poner la cinta de correr en modo de inicio.

- Pulse el botón "Mode" para seleccionar el modo de cuenta atrás objetivo:
  - Modo de entrenamiento 1: Objetivo de tiempo. Use las teclas "Speed/ Incline + y -" para ajustar el valor. Predeterminado 30:00 min. Rango 5:00~95:00 ± 1:00.
  - Modo de entrenamiento 2: Objetivo de distancia. Use las teclas "Speed/ Incline + y -" para ajustar el valor. Predeterminado 1,00 km. Rango 1,00~99,00 ± 1,0.
  - Modo de entrenamiento 3: Cuenta atrás de calorías. Use las teclas "Speed/ Incline + y -" para ajustar el valor. Predeterminado 50. Rango 20~9990 ± 10.
- Pulse el botón "Start/ Pause" para empezar la sesión directamente cuando ajuste el objetivo que desea.

**!! NOTA**

- Si establece un objetivo, la cinta de correr se parará automáticamente cuando se alcance el objetivo ajustado.
- Solo se puede ajustar un objetivo.

**Fin del entrenamiento**

- Puede hacer una pausa en su entrenamiento en cualquier momento pulsando una vez el botón "Start/ Pause". En la pantalla aparecerá "PAUS" cuando esté en modo pausa. El tiempo de pausa máx. es 4.30 min.
- Pulse el botón "Start/ Pause" para reiniciar el entrenamiento cuando esté en el modo "PAUSE".
- Pulse una vez el botón "STOP" para detener el entrenamiento.
- Pulse dos veces el botón "STOP" para reiniciar la consola.

**Programas preestablecidos (P1~P36)**

El equipo cuenta con 36 programas preestablecidos con diferentes perfiles. (Tabla fig. G.)

- Pulse los botones "Prog" para seleccionar el programa "P1~P36", pulse el botón "Mode" para confirmar.
- Establezca el tiempo deseado del entrenamiento. Use las teclas "Speed/ Incline + y -" para ajustar el valor. Predeterminado 30:00 min. Rango 5:00~95:00 ± 1:00.
- Pulse el botón "Start/ Pause" para empezar el entrenamiento.

**!! NOTA**

- La velocidad y la inclinación se controlan basándose en el programa seleccionado.
- Una señal acústica notificará al usuario que se va a producir un ajuste de la velocidad o inclinación dentro de unos pocos segundos.
- La duración de cada segmento es 1/16 del tiempo de entrenamiento establecido.
- La velocidad y la inclinación se pueden cambiar en cualquier momento, pero solo afectarán al segmento del perfil activo. El programa volverá a seguir el perfil cuando cambie al siguiente segmento del perfil.

**Programas del usuario (U01~U03)**

El equipo dispone de 3 programas para el usuario. Cada programa de usuario puede ajustarse según sus requisitos personales. Cada programa de usuario tiene 10 pasos. En cada paso puede establecerse la velocidad y la inclinación. Cada paso dura 1/16 de la cantidad total de tiempo.

- Pulse los botones "Prog" para seleccionar el programa "U-1~U-3".
- Establezca el tiempo deseado del entrenamiento. Use las teclas "Speed/ Incline + y -" para ajustar el valor. Predeterminado 30:00 min. Rango 5:00~95:00 ± 1:00.
- Pulse el botón "Start/ Pause" para empezar el entrenamiento.

**Modo de programación de perfil**

- Pulse el botón "Prog" y seleccione U-1/ U-2 o U-3.
- Pulse el botón "Mode" para abrir el modo de programación para el primer segmento del perfil de velocidad. Establezca los valores deseados de velocidad para el primer segmento del programa con las teclas "Speed + y -" y confírmelo con el botón "Mode".
- El modo de programación del segmento 2 de velocidad se abre. Programe todos los segmentos de velocidad como ha hecho para el segmento 1.
- El modo de programación para inclinación se abrirá. Establezca los valores deseados de inclinación para el primer segmento del programa con las teclas "Incline + y -" y confírmelo con el botón "Mode".
- El modo de programación del segmento 2 de inclinación se abre. Programe todos los segmentos de inclinación como ha hecho para el segmento 1.
- Cuando confirme el 16º segmento, la ventana de tiempo parpadeará para establecer el tiempo de entrenamiento deseado.
- Mantenga pulsado el botón "Mode" durante 3 segundos para guardar el perfil de usuario programado.
- Establezca el tiempo deseado del entrenamiento. Use las teclas "Speed/ Incline + y -" para ajustar el valor. Predeterminado 30:00 min. Rango 5:00~95:00 ± 1:00.
- Pulse el botón "Start/ Pause" para iniciar el programa.

**!! NOTA**

- El perfil de programa de usuario programado se guardará automáticamente para que lo pueda utilizar la siguiente vez.

**Grasa corporal**

El programa de grasa corporal está diseñado para indicarle su estado físico, basándose en sus parámetros corporales y su ritmo cardíaco.

- Pulse el botón "Mode" para abrir el modo de programación.
- Pulse el botón "Prog" para seleccionar el programa "FAT", pulse el botón "Mode" para confirmar.
- En la pantalla aparecerá "F1" (SEXO). En la pantalla aparece "1" Pulse los botones "Speed/ Incline + y -" para seleccionar: 1: Hombre/ 2: Mujer Pulse el botón "Mode" para confirmar.

- En la pantalla aparece "F2" (Edad). En la pantalla aparece "25" Pulse los botones "Arriba/ Abajo" para seleccionar: 1~99 Pulse el botón "Mode" para confirmar.
- En la pantalla aparece "F3" (Altura). En la pantalla aparece "170" cm Pulse los botones "Arriba/ Abajo" para seleccionar: 100~220 cm Pulse el botón "Mode" para confirmar.
- En la pantalla aparece "F4" (Peso). En la pantalla aparece "70" kg Pulse los botones "Arriba/ Abajo" para seleccionar: 20~150 kg Pulse el botón "Mode" para confirmar.
- La pantalla muestra "F5" (Activo). Coja las almohadillas de medición del ritmo cardíaco de las empuñaduras para activar la medición de GRASA. El resultado de la prueba aparecerá en la pantalla en unos 5~10 segundos. Véase "Cálculo del resultado".

**⚠ PRECAUCIÓN**

- Para esta función es necesario sujetar las almohadillas de medición del ritmo cardíaco situadas en las empuñaduras.

**Cálculo del resultado:**

- TIPO DE CUERPO: (Relación de grasa corporal; 9 tipos)
  - GRASA 0 ~17                      Peso bajo
  - GRASA 18 ~ 24                    En su peso
  - GRASA 25 ~ 28                    Sobrepeso
  - GRASA 29 ~ en adelante        Obesidad.
- BF = Grasa corporal (en relación de %)
- Aparecerá el código de error "ER" si no se detecta el ritmo cardíaco durante el proceso de medición de BF.
- Pulse el botón "Stop / Reset" para salir del programa de grasa corporal.

**Programa HRC**

El programa HRC es un programa de control de velocidad basado en el ritmo cardíaco (RC). La velocidad aumentará automáticamente cuando su ritmo cardíaco esté por debajo del objetivo y se reducirá cuando el ritmo esté por encima del objetivo.

- Pulse el botón "Prog" para seleccionar "HRC"
  - HRC1: Preajuste máximo. El límite de velocidad es de 8 km/h.
  - HRC2: Preajuste máximo. El límite de velocidad es de 12 km/h.
  - HRC3: Preajuste máximo. El límite de velocidad es de 22.0 km/h.
- Programa, pulse el botón "Mode" para confirmar.
- Ajuste la edad. En la pantalla aparece "25" Pulse los botones "Arriba/ Abajo" para seleccionar: 1~99 Pulse el botón "Mode" para confirmar.
- Se mostrará el ritmo cardíaco objetivo, basado en la edad que ha indicado. Ritmo cardíaco objetivo =  $(220 - \text{edad}) \times 0,6$ . Pulse los botones "Arriba/ Abajo" para cambiar el valor objetivo 60~200. Pulse el botón "Mode" para confirmar.
- Ajuste el tiempo del ejercicio. La pantalla muestra "30:00" Pulse los botones "Arriba/ Abajo" para seleccionar: 5:00~99:00 Pulse el botón "Mode" para confirmar.
- Pulse el botón "Start/ Pause" para iniciar el programa.

**Función operativa HRC:**

- El programa HRC se inicia con un tiempo de calentamiento de un minuto (la velocidad no se ajustará automáticamente).
- La velocidad inicial es 1,0 km/h, esta se puede ajustar manualmente a una velocidad de calentamiento cómoda.
- La consola comprueba el ritmo cardíaco cada 30 segundos y controla la velocidad de la siguiente manera



| Ritmo cardíaco | parámetro               | ajuste velocidad |
|----------------|-------------------------|------------------|
| 29+ lpm        | Por debajo del objetivo | + 2,0 km/h.      |
| 6~29 lpm       | Por debajo del objetivo | + 1,0 km/h.      |
| 0~5 lpm        | Por debajo del objetivo | No hay ajuste    |
| 0~5 lpm        | Por encima del objetivo | No hay ajuste    |
| 6~29 lpm       | Por encima del objetivo | - 1,0 km/h.      |
| 29+ lpm        | Por encima del objetivo | - 2,0 km/h.      |

**!! NOTA**

- El ajuste de inclinación no se controla en el modo de programa HRC, pero el usuario puede controlarlo en cualquier momento para aumentar o rebajar la intensidad del entrenamiento.
- El usuario puede cambiar la velocidad en todo momento.
- Cuando la velocidad esté por encima del límite de velocidad preestablecido, se autoajustará para preestablecer el ajuste de velocidad automáticamente.
- Si no se detecta el ritmo cardíaco, la cinta de correr detendrá el entrenamiento.

**⚠ PRECAUCIÓN**

- Para esta función se requiere medir el ritmo cardíaco.

**Función ERP**

La función ERP puede poner la cinta de correr en modo de suspensión de manera automática si se mantiene inactiva durante 4:30 minutos.

Podrá activar o desactivar esta función de la siguiente manera:

- Si la cinta de correr está en "modo de inicio", mantenga pulsado el botón "Mode" durante 3 segundos para cambiar entre el modo activo e inactivo.
  - Si la pantalla muestra "1111", indicará modo activo. La máquina pasará a modo de suspensión después de que no se use durante 4:30 minutos.
  - Si la pantalla muestra "2222", indicará modo inactivo. La máquina no pasará a modo de suspensión después de que no se use durante 4:30 minutos.

**⚠ PRECAUCIÓN**

- Recomendamos que siempre se ajuste la función ERP a modo activo.

**Bluetooth & APP**

- Esta consola puede conectarse con una App de un dispositivo móvil inteligente vía Bluetooth (iOS & Android)
- Establezca la conexión Bluetooth sólo a través del modo de conexión en la aplicación instalada en su teléfono smart.

**🔊 NOTA**

- Tunturi solo ofrece la opción de conectar su consola de ejercicios físicos mediante conexión Bluetooth. Por tanto, Tunturi no se hace responsable por posibles daños o funcionamiento incorrecto de productos que no sean de la marca Tunturi.
- Consulta el sitio web para obtener información adicional

**Garantía****Condiciones de la garantía**

El consumidor tiene derecho a la aplicación de los derechos legales específicos de la legislación nacional concernientes al comercio de bienes de consumo y esta garantía no limita dichos derechos. La Garantía del Propietario sólo estará en vigor cuando el equipo se utilice en el entorno de uso permitido por Tunturi New Fitness BV para dicho equipo de ejercicio. En las instrucciones de uso de cada aparato se especifica el entorno de uso permitido para el mismo.

**Términos de la garantía**

Los términos de la garantía comenzarán el día de la compra. Los términos de garantía pueden variar por país, así que consulte con su distribuidor local para ver cuáles son los términos de la garantía.

**Cobertura de la garantía**

Tunturi New Fitness BV o los distribuidores Tunturi no responderán en ninguna circunstancia a causa de esta garantía por los eventuales daños indirectos, secundarios, resultantes o especiales de ningún tipo derivados del uso o la imposibilidad de uso de este equipo.

**Restricciones a la garantía**

La garantía cubre los fallos debidos a la fabricación y los materiales en un equipo de ejercicio que esté en su ensambladura original. La garantía cubre solamente defectos que se manifiesten durante un uso normal, conforme a las instrucciones dadas en la guía suministrada con el equipo, a condición de que se hayan observado las instrucciones de montaje, mantenimiento y utilización proporcionadas por Tunturi. Tunturi New Fitness BV y los distribuidores Tunturi no pueden responder de fallos ocasionados por circunstancias ajenas a su control. La presente garantía sólo es válida para el comprador original del equipo de ejercicio y tiene vigencia solamente en los países en los que Tunturi New Fitness BV cuenta con un importador autorizado. La garantía no cubre los equipos de ejercicio o sus partes que hayan sido modificados sin el consentimiento previo de Tunturi New Fitness BV. La garantía no cubre fallos derivados del desgaste normal, de un uso indebido, de su uso en condiciones para las que el equipo no ha sido concebido, corrosión o daños sufridos durante la carga o el transporte.

La garantía no cubre los sonidos o ruidos emitidos durante el uso que no impidan de forma sustancial la utilización del equipo y que no estén provocados por un fallo del mismo

La garantía no cubre las actividades de mantenimiento tales como limpieza, lubricación o el ajuste normal de las piezas, ni los procedimientos de instalación que el cliente pueda realizar por sí mismo y que no requieran un desmontaje / montaje especial del equipo de ejercicio. Estos procedimientos son, por ejemplo, el cambio de contadores, pedales o de otras piezas simples similares. No se reembolsarán las reparaciones realizadas durante el periodo de garantía por agentes no autorizados por Tunturi. Si no se siguen adecuadamente las instrucciones dadas en el Manual del Propietario se invalidará la garantía del producto.

**Limpieza y mantenimiento****⚠ ADVERTENCIA**

- Antes de la limpieza y el mantenimiento, retire el enchufe de red de la toma de pared.
- No utilice disolventes para limpiar la máquina.
- No obstruya las aberturas de ventilación. Mantenga las aberturas de ventilación libres de polvo, suciedad y otras obstrucciones.
- Limpie la máquina con un paño suave y absorbente tras cada uso.
- Limpie las partes visibles de la máquina con un aspirador que tenga una boquilla de aspiración pequeña.
- Compruebe periódicamente que todos los tornillos y las tuercas estén apretados.



**Cinta y cubierta de correr:**

La cinta usa una base de gran eficacia y baja fricción. El rendimiento se maximiza cuando la cubierta de correr se mantiene lo más limpia posible. Use un paño suave y húmedo o una toalla de papel para limpiar el borde de la cinta y el área entre el borde de la cinta y el bastidor. Llegue también hasta prácticamente justo debajo del borde de la cinta. Deberá hacer esto una vez al mes para aumentar la vida útil de la cinta y la cubierta de correr. Use solo agua – ni productos de limpieza ni abrasivos. Una solución suave de jabón y agua con un cepillo de fregar de nailon servirá para limpiar la parte superior de la cinta con textura. Deje que la cinta se seque antes de usarla.

**Lubricación (fig. F-4)**

Debe comprobarse la lubricación de la banda cada 2 meses, en base a un uso medio de 60 minutos al día.

**⚠ ADVERTENCIA**

- Antes de la lubricación, retire el enchufe de red de la toma de pared.

**⚠ PRECAUCIÓN**

- Recomendamos revisar la lubricación de la cinta de correr una vez al mes como mínimo, ya que hay otros factores que pueden afectar al estado de la lubricación, aparte del tiempo.
  - Lubrique la banda sólo si es necesario. Si aplica demasiado lubricante, la banda resbalará fácilmente debido a la ausencia de fricción.
- Sitúese sobre la banda.
  - Sujete el manillar frontal y empuje la banda con los pies de modo que se deslice hacia atrás y hacia delante. La banda debe moverse suave y regularmente sin hacer ruido.
  - Si la banda no se mueve suave y regularmente o no se mueve, toque la parte baja de la banda con las puntas de los dedos para comprobar la lubricación:
    - Si nota el lubricante o sus dedos están brillantes, hay suficiente lubricación en la banda.
    - Si no nota lubricante o sus dedos tienen polvo o están ásperos, aplique lubricante (15-20 ml) en la mitad de la plataforma bajo la banda y deje que la máquina funcione a 5 km/h durante al menos 5 minutos.
    - Tras la lubricación, no pliegue la máquina antes de haber realizado una sesión de ejercicio durante 20 minutos con una velocidad de al menos 5 km/h. El lubricante se extenderá uniformemente por la banda.

**Polvo de la cinta:**

Esto ocurre durante una interrupción normal o hasta que la cinta se estabilice. Si limpia el exceso de polvo con un paño húmedo se minimizará la acumulación de éste.

**Limpieza general:**

La suciedad, el polvo y el pelo de los animales pueden bloquear las entradas de aire y acumularse en la cinta de correr. Pase la aspiradora mensualmente debajo de la cinta para evitar que se acumule. Dos veces al año deberá quitar la cubierta negra del motor y aspirar la suciedad que se haya acumulado.

DESENCHUFE EL CABLE DE ALIMENTACIÓN ANTES DE HACER ESTAS TAREAS.

**Ajustes de la cinta**

Ajuste de la tensión de la cinta de correr: El ajuste se deberá hacer desde el rodillo trasero. Los tornillos de ajuste se encuentran en el extremo de las barras en las tapas finales, como se indica en el siguiente dibujo.

- Apriete los tornillos del rodillo trasero (a la derecha) solo lo suficiente para que no patine la cinta en el rodillo delantero. Gire los dos tornillos de ajuste de la tensión de la cinta en pasos de ¼ de vuelta cada uno y examine si la tensión es correcta andando sobre la cinta a baja velocidad, asegurándose de que la cinta no patina. Siga tensando los tornillos hasta que la cinta deje de patinar.

- Si le parece que la cinta está suficientemente tensa, pero sigue patinando, el problema puede ser que esté suelta una correa de transmisión del motor debajo de la cubierta delantera.
- No apriete en exceso: Si se aprieta en exceso se podrá dañar la cinta y provocar un fallo prematuro de los cojinetes.

**ajuste de la alineación de la cinta de correr**

El rendimiento de la cinta depende de que el bastidor esté sobre una superficie suficientemente plana. Si el bastidor no está horizontal, el rodillo delantero y trasero no podrán ir paralelos y habrá que ajustar constantemente la cinta.

La cinta de correr está diseñada para mantener la cinta razonablemente centrada cuando está en uso. Es normal que algunas cintas se desvíen hacia un lado cuando la cinta está funcionando sin nadie encima. Después de unos minutos de uso, la cinta deberá tender a centrarse por sí misma. Si durante el uso la cinta sigue moviéndose hacia un lado, habrá que ajustarla.

**EXCEPCIÓN:**

Durante una rehabilitación en la que el usuario esté usando una pierna mucho más que la otra, puede ocurrir que la cinta se desvíe a un lado. En esos casos, no deberá ajustarla a no ser que la cinta no se centre por sí misma durante el uso en condiciones normales.

**para ajustar la alineación de la cinta (fig. F-5)**

Se proporciona una llave Allen de 10 mm para ajustar el rodillo trasero. Solo haga un ajuste de la alineación desde el lado izquierdo. Ajuste la velocidad de la cinta de 3 a 5 km/h.

¡Recuerde, un pequeño ajuste puede suponer una gran diferencia!

Gire el tornillo a la derecha para mover la cinta a la derecha. Y gírelo a la izquierda para moverla a la izquierda. Gire el tornillo solo un ¼ de vuelta y espere unos momentos a que la cinta se ajuste por sí misma. Continúe girando un ¼ de vuelta hasta que la cinta se estabilice en el centro de la cubierta de correr.

La cinta puede que requiera un ajuste periódico de la alineación dependiendo del uso y de las características de andar/correr. Algunos usuarios tendrán un efecto diferente sobre la alineación. Es de esperar que tenga que hacer los ajustes necesarios para centrar la cinta. Según se vaya usando la cinta, cada vez tendrá que realizar menos ajustes. Una alineación correcta de la cinta es una responsabilidad del propietario habitual en todas las cintas de correr.

**⚠ NOTA**

- los daños a la cinta de correr derivados de un ajuste incorrecto de la alineación/tensión no están cubiertos por la garantía..

**Defectos De Funcionamiento**

Pese al continuo control de calidad que realizamos, el equipo puede presentar defectos o malfuncionamientos debidos a fallos en componentes individuales. En la mayoría de los casos no es necesario llevar todo el equipo a reparar, y generalmente es suficiente con reemplazar la parte defectuosa.

Si el equipo no funciona correctamente durante su uso, tome contacto inmediatamente con su proveedor Tunturi. Relate la naturaleza del problema, las condiciones de uso, la fecha de compra, el modelo y el número de serie.

En el reverso de esta guía encontrará la lista de piezas. Utilice sólo piezas de repuesto mencionadas en la lista de piezas de repuesto.

## Ajuste métrico / imperial

Cuando la velocidad mostrada no coincide con sus expectativas, la máquina podría configurarse en una configuración incorrecta.

|           |   |
|-----------|---|
| Métrico:  | Min./ Max. Velocidad:<br>0.8 Km/h/ 22.0 km/h.   |
| Imperial: | Min./ Max. Velocidad:<br>0.5 Mls/h/ 13.7 Mls/h. |

### Cambie las unidades por:

Quitar la llave de seguridad. (Show de consola E7)

Mantenga presionado el botón "Prog" y "Modo" durante 3 segundos.

La consola muestra en breve:

- 0.5 Cuando se cambia al modo imperial.
- 0.8 Cuando se cambia al modo métrico.

Ponga la llave de seguridad en su lugar

## Códigos de error

Si la pantalla muestra un código de error (marcado con "E" + número), reinicie la máquina y compruebe si la pantalla sigue mostrando el código de error. Si la pantalla sigue mostrando el código de error, contacte inmediatamente con su proveedor.

### NOTA

- E7 no es un código de error, ver "Llave de seguridad"

## Transporte y almacenamiento

### ADVERTENCIA

- Antes de la limpieza y el mantenimiento, retire el enchufe de red de la toma de pared.
- Al menos dos personas deben transportar y mover la máquina.
- Asegúrese de que no haya otras personas ni objetos debajo de la máquina.
- Al plegar la máquina, asegúrese de que se escucha el bloqueo de la máquina en su posición para evitar que se pueda desplegar.

### PRECAUCIÓN

- Antes de plegar la máquina, asegúrese de que la inclinación sea 0%. Si la inclinación no es de 0%, el mecanismo sufrirá daños durante el plegado.
- Mueva la máquina como se muestra (fig. F3). Mueva la máquina y bájela con cuidado. Coloque la máquina sobre una base protectora para evitar daños en la superficie del suelo. Mueva la máquina con cuidado sobre superficies irregulares. No suba la máquina por las escaleras usando las ruedas; transporte la máquina por los manillares.
- Almacene la máquina en posición vertical (fig. F1). Almacene la máquina en un lugar seco con la menor variación de temperatura posible.

## Información adicional

### Eliminación de embalajes

Las pautas gubernamentales exigen reducir la cantidad de residuos que se depositan en los basureros. Por este motivo, le rogamos que deseche los embalajes de manera responsable en centros públicos de reciclaje.

## Eliminación al final de la vida útil

Desde Tunturi esperamos que disfrute de su equipo de entrenamiento durante muchos años. No obstante, llegará un momento en que éste llegue al final de su vida útil. Conforme a la Directiva WEEE (relativa a la gestión de residuos procedentes de equipos eléctricos y electrónicos) le corresponde a usted la responsabilidad de desechar adecuadamente su equipo de entrenamiento en un centro público autorizado de recogida.

## Datos técnicos

| Parámetro             | Unidad de medición | Valor            |
|-----------------------|--------------------|------------------|
| Tensión de red        | VAC                | 210 ~ 240        |
| Frecuencia de red     | HZ                 | 50 ~ 60          |
| Motor                 | HP                 | 2.5<br>5.5 Max.  |
| Velocidad             | Km/H               | 0.8 ~ 22.0       |
| Velocidad             | Mph                | 0.5 ~ 13.7       |
| Inclinación           | Step               | 0 ~ 15           |
| Longitud (plegada)    | Cm                 | 193.0<br>(137.0) |
| Longitud (plegada)    | Inch               | 76.0<br>(53.9)   |
| Anchura               | Cm                 | 82.5             |
| Anchura               | Inch               | 32.5             |
| Altura (plegada)      | Cm                 | 149.0<br>(155.0) |
| Altura (plegada)      | Inch               | 58.7<br>(61.0)   |
| Peso                  | Kg                 | 117.0            |
| Peso                  | Lbs                | 257.9            |
| Peso máx. del usuario | Kb                 | 150              |
| Peso máx. del usuario | Lbs                | 330              |
| HR. receiver          | Khz                | 5.3 Khz          |

## Declaración del fabricante

Tunturi New Fitness BV declara que el producto es conforme con las siguientes normas y directivas: EN 957 (HA), 89/336/CEE. Por tanto, el producto dispone de marcado CE.

12-2019

Tunturi New Fitness BV  
Purmerweg 1  
1311 XE Almere  
The Netherlands

## Descargo de responsabilidad

© 2019 Tunturi New Fitness BV  
Reservados todos los derechos.

El producto y el manual están sujetos a cambios. Las especificaciones pueden cambiarse sin previo aviso.

På Dansk

Denne vejledning er en oversættelse af den engelske tekst. Vi forbeholder os ret til eventuelle oversættelsesfejl. Den engelske originaltekst gælder.

## Index

|   |           |
|---|-----------|
| <b>Løpbånd</b> .....                        | <b>71</b> |
| <b>Sikkerhedsvarninger</b> .....            | <b>71</b> |
| Elsikkerhet.....                            | 71        |
| <b>Monteringsanvisninger</b> .....          | <b>72</b> |
| Beskrivelse (fig. A) .....                  | 72        |
| Förpackningens innehåll (fig. B&C).....     | 72        |
| Montering (fig. D).....                     | 72        |
| Tillbehör (bild H).....                     | 72        |
| Träning .....                               | 72        |
| Övning Instruktioner.....                   | 72        |
| Hjärtfrekvens .....                         | 73        |
| <b>Användning</b> .....                     | <b>73</b> |
| <b>Panelen (fig. E-1)</b> .....             | <b>74</b> |
| Knappar.....                                | 74        |
| Förklaring av visningsobjekt (bild H) ..... | 74        |
| USB-funktion .....                          | 75        |
| <b>Program</b> .....                        | <b>75</b> |
| Snabbstart .....                            | 75        |
| Nedräkningsläge med mål (P0).....           | 75        |
| Avsluta ditt träningspass .....             | 75        |
| Förinställda program (P1~P36).....          | 75        |
| Användarprogram (U01~U03) .....             | 75        |
| Kroppsfett .....                            | 75        |
| HRC-program .....                           | 76        |
| ERP-funktion.....                           | 76        |
| Bluetooth & APP .....                       | 76        |
| <b>Garanti</b> .....                        | <b>76</b> |
| <b>Rengöring och underhåll</b> .....        | <b>77</b> |
| Smörjning (fig. F-4).....                   | 77        |
| <b>Störningar Vid Användning</b> .....      | <b>78</b> |
| Metrisk / Imperial inställning.....         | 78        |
| Felkoder .....                              | 78        |
| <b>Transport och lagring</b> .....          | <b>78</b> |
| Ytterligere information .....               | 78        |
| <b>Teknisk information</b> .....            | <b>79</b> |
| <b>Försäkran från tillverkaren</b> .....    | <b>79</b> |
| <b>Friskrivning</b> .....                   | <b>79</b> |

## LØBEBÅND

Velkommen til Tunturi Fitness verden!

Tak, fordi du købte dette udstyr fra Tunturi. Tunturi tilbyder en bred vifte af professionelt træningsudstyr, såsom cross-trainers, løbebånd, motionscykler og roe-maskiner. Udstyr fra Tunturi passer til hele familien, uanset træningsniveau. Mere information findes på vores hjemmeside, [www.tunturi.com](http://www.tunturi.com)

Vigtige sikkerhedsinstruktioner

Læs denne vejledning omhyggeligt, inden du monterer, bruger eller reparerer dit nye træningsudstyr. Gem denne manual, det indeholder oplysninger, du har brug for nu og i fremtiden for at bruge og vedligeholde dit udstyr. Følg altid disse instruktioner omhyggeligt.

## Sikkerhedsvarninger

### ⚠ VARNING

Læs sikkerhedsadvarsler og instruktioner. Manglende overholdelse af sikkerhedsadvarsler og -instruktioner kan resultere i personskade eller udstyr. Opbevar sikkerhedsadvarsler og instruktioner til fremtidig brug.

### ⚠ VARNING

- System for overvakning av hjärtfrekvensen är inte alltid exakta. Överträning kan medföra allvarlig skada eller död. Sluta omedelbart att träna om du känner dig svag.

- Utrustningen är lämplig för hemmet och för professionellt bruk (t.ex. sjukhus, brandstationer, hotell, skolor etc.). Maximal användning är begränsad till 6 timmar per dag. Utrustningen är inte anpassad för fullständig kommersiell användning (t.ex. stora gym).
- Om utrustningen används av barn eller personer med fysiska, sensoriska, mentala eller motoriska handikapp, eller som saknar erfarenhet och kunskap, kan detta medföra risker. Personer som är ansvariga för deras säkerhet måste ge tydliga instruktioner, eller övervaka användningen av utrustningen.
- Innan du påbörjar din träning, uppsök en läkare som kan kontrollera din hälsa.
- Om du upplever illamående, yrsel eller andra onormala symptom, avsluta genast din träning och kontakta en läkare.
- Börja varje träningspass med att värma upp och avsluta varje träningspass med nedvarning för att undvika muskelsmärter och sträckningar. Kom ihåg att stretcha i slutet av träningen.
- Utrustningen är endast anpassad för användning inomhus. Utrustningen är inte anpassad för användning utomhus.
- Använd endast utrustningen i miljöer med god ventilation. Använd inte utrustningen i dragiga miljöer för att undvika att bli förkyld.

Brug kun udstyret i miljøer med temperaturer mellem 10 ° C og 35 ° C. Opbevar udstyret kun i miljøer med temperaturer mellem 5 ° C og 45 ° C.

- Brug ikke eller opbevar udstyret i et fugtigt miljø. Fugtigheden må aldrig overstige 80%.
- Brug kun udstyret til det tilsigtede formål. Brug ikke udstyret til andre formål end dem, der er beskrevet i denne manual.
- Brug ikke dette udstyr, hvis nogen del er ødelagt eller beskadiget. Kontakt -din forhandler, hvis nogen del er ødelagt eller beskadiget.
- Hold hænder, fødder og andre kropsdele væk fra bevægelige dele

- Hold håret væk fra de bevægelige dele.
- Bær passende tøj og sko.
- Hold tøj, smykker og andre genstande væk fra bevægelige dele.
- Brug kun en person ad gangen. Udstyret må ikke bruges af personer, der vejer mere end 150 kg.
- Åbn ikke udstyret uden at kontakte din forhandler.

## Sikkerhed Elektrisk

(kun elektrisk udstyr)

- Før brug, skal du altid kontrollere, at netspændingen er den samme som spændingen på udstyrets typeskilt.
- Brug ikke en forlængerledning.
- Hold netledningen væk fra varme, olie og skarpe kanter.
- Udskift ikke strømkablet eller stikket.
- Brug ikke udstyret, hvis netledningen eller stikket er ødelagt eller beskadiget. Hvis netledningen eller stikket er ødelagt eller beskadiget, skal du kontakte din forhandler.
- Rul altid netledningen helt ud.
- Træk ikke i netledningen under udstyret. Træk ikke netledningen under et tæppe. Anbring ikke genstande på netledningen.
- Sørg for, at netledningen ikke hænger over en bordkant. Sørg for, at netledningen ikke kan nås med vilje eller udløses.

- Lad ikke udstyret være uden opsyn med stikket tilsluttet stikkontakten.
- Træk ikke i netledningen for at fjerne stikket fra stikkontakten.
- Fjern stikket fra stikkontakten, når udstyret ikke er i brug, før det monteres eller installeres, og før det rengøres eller vedligeholdes.

**⚠ ADVARSEL**

- Hvis strømspændingen svinger med 10 procent (10%) eller mere, kan dette have en negativ indvirkning på løbebåndets funktion. Hvis løbebåndet, der bruges under sådanne forhold, udløber garantien. Hvis du har mistanke om, at spændingen er for lang, skal du kontakte din elektriske tjenesteudbyder eller en kvalificeret elektriker for at udføre en kontrol.

**⚠ VARNING**

Brug IKKE en jordfejlfafbryder til denne løbebånd. Som med alle apparater med en kraftfuld motor, rammer en jordfejlkontakt ofte. Indsæt netledningen, så den ikke kan komme i kontakt med de bevægelige dele af løbebåndet, inklusive løftmekanismen og transporthjulene.

**jordforbindelse**

Dette produkt skal tilsluttes et jordet stikkontakt. Hvis der opstår en fejl i løbebåndets elektriske system, beskytter jordforbindelsen mod elektrisk stød. Dette produkt leveres med et jordet ledning og stik. Stikket skal tilsluttes et korrekt jordet stikkontakt, der er installeret i overensstemmelse med gældende regler og forskrifter.

**⚠ ADVARSEL**

Fejl i enhedens jordforbindelse udgør en øget risiko for elektrisk stød. Hvis du er i tvivl om forbindelsen, skal du kontakte en elektriker eller en servicetekniker for at kontrollere, at apparatet er korrekt jordet. Forsøg ikke at indsætte et stik, der ikke passer ind i stikkontakten, brug en elektriker til at installere en passende stikkontakt.

## Monteringsanvisninger

### Beskrivelse (fig. A)

Din løbebånd er en stationær træningsmaskine, der bruges til at simulere gå eller løb uden at forårsage for stort pres på samlingerne.

### Förpackningens innehåll (fig. B&C)

- Pakken indeholder de dele, der er vist i fig. B.
- Pakken indeholder de fastgørelses og montage ting, der er vist i fig. C. Se afsnit "Beskrivelse".

**⚠ ANMÄRKNING**

Hvis der mangler nogen del, skal du kontakte din forhandler.

### Montering (fig. D)

**⚠ VARNING**

- Installer udstyret i den specificerede rækkefølge.
- Vær to om at bære og flytte udstyret.

**⚠ OBS.**

- Placer udstyret på en stabil og plan overflade.
- Placer udstyret på et beskyttende fundament for at forhindre beskadigelse af gulvet.
- Lad mindst 100 cm være fri omkring udstyret.

- Illustrationerne viser den rigtige måde at samle udstyret på.

## Tillbehör (bild H)

**⚠ OBS**

- Illustrationen viser, hvordan træningsudstyret ser ud med passende forlænget gelændere.
- De udvidede gelændere fås som ekstraudstyr.
- Artikelnummer: 19TRNRH000

Kontakta din återförsäljare för mer information.

## Träning

Träning skal være let nok, men vare længe. Aerob træning er designet til at forbedre kroppens maksimale iltoptagelse, hvilket forbedrer udholdenhed og kondition. Du skal svede, men du skal ikke være åndenød under træningen. For at opnå og opretholde en basisk tilstand skal du træne mindst tre gange om ugen, 30 minutter ad gangen. Forøg antallet af træning for at forbedre din kondition. Det er godt at kombinere regelmæssig motion med en sund kost. En person, der har besluttet at tabe sig, skal træne dagligt, 30 minutter eller mindre i første omgang og derefter øge den daglige træningstid til en time. Begynd din træning i lav hastighed og med lav modstand for at forhindre, at det kardiovaskulære system udsættes for store belastninger. Når fitness forbedres, kan hastighed og modstand gradvist øges. Din træningseffektivitet kan måles ved at kontrollere din hjerterytme og hjerterytme.

## Övning Instruktioner

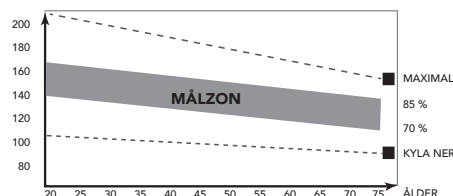
Brug af dit træningsudstyr giver dig mange fordele; Det vil forbedre din fysiske kondition, tone dine muskler og sammen med en kaloriekontrolleret diæt hjælper dig med at tabe dig.

varmefase  
Denne fase får blodet til at begynde at pumpe rundt i kroppen og forbereder musklerne til aktivitet. Det reducerer også risikoen for kramper og muskelskader. Det anbefales at lave nogle strækøvelser som vist nedenfor. Hver strækøvelse skal holdes i cirka 30 sekunder. Tving ikke eller skub musklerne ind i en strækøvelse. Hvis det gør ondt, STOP

Træning fase  
Dette er den fase, hvor du arbejder. Efter regelmæssig brug bliver musklerne i dine knogler mere fleksible. I denne fase er det meget vigtigt at opretholde et stabilt tempo fra start til slut.

Indsatsniveauet skal være tilstrækkeligt til at hæve din hjerterytme til målzonen vist i figuren herunder

**HEART**



Denne fase skal vare i mindst 12 minutter, selvom de fleste starter med ca. 15-20 minutter.

afkølingsfasen  
I denne fase får dit kardiovaskulære system og muskler lov til at slappe af. Det er en gentagelse af opvarmningsøvelsen, f.eks. sænk dit tempo, fortsæt i cirka 5 minutter. Strækøvelserne skal nu gentages. Husk ikke at tvinge eller skubbe musklerne i strækøvelsen. Når du bliver mere trænet, kan du træne længere og hårdere. Vi anbefaler at træne mindst tre gange om ugen og om muligt fordele din træning jævnt i løbet af ugen.

## muskel toning

For at tone musklerne, når du bruger træningsudstyr, skal du indstille en forholdsvis høj belastning. Dette lægger mere belastning på benmusklerne og kan betyde, at du ikke kan træne så længe du vil. Hvis du også prøver at forbedre din kondition, skal du ændre dit træningsprogram. Du skal træne som sædvanligt i opvarmnings- og lav-nedfasen, men mod slutningen af træningsfasen kan du øge belastningen, så dine ben arbejder hårdere. Du skal sænke for at holde pulsen i målzonen.

## Vægttab

Den vigtigste faktor her er, hvor meget du gør. Jo hårdere og længere du træner, jo flere kalorier forbrænder du. Dette er dybest set det samme, som hvis du træner for at forbedre din kondition, forskellen er målet.

## Hjertefrekvens

### puls

(Hand sensorer)

Pulsen måles af sensorer i håndtagene, når brugeren berører begge sensorer samtidigt. Bedste hjertefrekvensmåling opnås, når huden er let fugtig og i konstant kontakt med håndpulsfølerne. Hvis huden er for tør eller for fugtig, kan pulsmålingen være mindre nøjagtig.

### ⚠ ANMÆRKNING

Brug ikke håndpulsføler med hjerterytm.

- Hvis du indstiller en puls begrænsning for din træning, lyder en alarm, når den overskrides.

## Hjertefrekvensmåling (pulsbælte)

### ⚠ ANMÆRKNING

En brystrem er ikke standard med denne træner. Når du kan lide at bruge en trådløs brystrem, skal du købe dette som tilbehør.

Den mest nøjagtige måling af hjerterytm opnås med et hjertefrekvensbælte. Hjertefrekvens måles af en hjertefrekvensmodtager i kombination med et transmitterpulsbælte. Korrekt pulsmåling kræver, at elektroderne på transmitterbåndet er let fugtige og i konstant kontakt med huden. Hvis elektroderne er for tørre eller for fugtige, kan pulsmålingen være mindre nøjagtig.

### ⚠ VARNING

Kontakt en læge, før du bruger et pulsbelte, hvis du har en pacemaker.

### ⚠ OBS.

- Hvis der er flere hjertefrekvensmåleenheder ved siden af hinanden, skal du kontrollere, at afstanden mellem dem er mindst 2 meter.
- Hvis der kun er en pulsmodtager og flere pulssendere, skal du kontrollere, at der kun er en person med sender i modtagerområdet.

### ⚠ ANMÆRKNING

- Brug ikke hjertefrekvensbælte med håndpulsføler.
- Bær altid pulsbelte under dit tøj i direkte kontakt med huden. Bær ikke pulsen på dit tøj. Hvis du bærer hjertefrekvensbæltet på dit tøj, vil der ikke være noget signal.
- Hvis du indstiller en puls begrænsning for din træning, lyder en alarm, når den overskrides.
- Senderen sender pulsen til panelet op til en afstand af 1,5 meter. Hvis elektroderne ikke er fugtige, vises pulsen ikke
- Nogle kludfibre (f.eks. Polyester eller polyamid) skaber statisk elektricitet, der kan forhindre korrekt måling af hjerterytm.
- Mobiltelefoner, fjernsyn og andre elektriske apparater skaber et elektromagnetisk felt, der kan forhindre korrekt måling af hjerterytm.

## Pulsmåling

Maksimal hjertefrekvens  
(under træning)

Den maksimale hjerterytm er den højeste hjertefrekvens, som en person sikkert kan modtage under træning. Følgende formel bruges til at beregne den gennemsnitlige maksimale hjertefrekvens: 220 - ALDER. Den maksimale hjerterytm varierer fra person til person.

### ⚠ VARNING

Sørg for, at du ikke overskrider din maksimale puls under din træning. Kontakt en læge, hvis du tilhører en risikogruppe.

## begynder niveau

50-60% af den maksimale hjertefrekvens

Velegnet til begyndere, vægtløftere, rekonvalescentcentre og folk, der ikke har trænet i lang tid. Træning mindst tre gange om ugen, 30 minutter ad gangen.

Advanced Level

60-70% af den maksimale hjertefrekvens

Velegnet til mennesker, der ønsker at forbedre og bevare konditionen.

Træning mindst tre gange om ugen, 30 minutter ad gangen.

ekspert

70-80% af den maksimale hjertefrekvens

Passer til de mest veluddannede, der er vant til lange og tunge træning.

## brug

### Hovedafbryder (fig. E-2A)

Udstyret er udstyret med en hovedafbryder til fuldstændig slukning af udstyret.

Start udstyret:

- Tilslut stikket til udstyret.
- Tilslut stikket til stikkontakten.
- Sæt hovedafbryderen i position "ON".

### Stop af maskinen

- Sæt hovedafbryderen i position "OFF".
- Fjern stikket fra stikkontakten.
- Fjern stikket fra udstyret.

Sikkerhedsnøgle (fig. F-4)

Udstyret er udstyret med en sikkerhedsnøgle, der skal indsættes korrekt i panelet for at starte udstyret. Fjernelse af sikkerhedsnøglen fra panelet stopper udstyret med det samme.

- Indsæt sikkerhedsnøglen i åbningen i panelet.
- Kontroller, at sikkerhedsnøglen er korrekt fastgjort til dit tøj. Sørg for, at sikkerhedsnøglen ikke fjernes fra dit tøj, før du fjerner sikkerhedsnøglen fra panelet.

### ⚠ ANMÆRKNING

Konsollen viser E7-koden, når sikkerhedstasten ikke er på plads under opstart.

### ⚠ VARNING

Før stikket skubbes ud, skal stikket fjernes fra udstyret.

Hvis udstyret er slukket, skal du gøre følgende for at genstarte udstyret:

- Fjern stikket fra udstyret.
- Tryk på kontakten for at genstarte udstyret.
- Tilslut stikket til udstyret.



## ⚠ ANMÄRKNING

Nogle afbrydere, der bruges i husholdninger, er ikke egnede til højspændingstoppe, som kan opstå, når der tændes for løbebåndet og endda ved normal brug. Hvis løbebåndet tillader, at sikringen går hjem til dig (selvom den korrekte spænding bruges, og løbebåndet er den eneste enhed i gruppen), og løbebåndssikringen ikke går i stykker, skal du udskifte sikringen med en type, der kan håndtere større spændingstoppe. Dette er ikke en defekt, der er dækket af garantien. Dette er et forhold, som producenten ikke kan kontrollere.

Foldning og foldning af udstyret (fig. F1-F2) Udstyret kan foldes op brug (fig. F1) og kollapsede til transport og opbevaring (fig. F2). Billederne viser den rigtige måde at folde op og folde udstyret på.

## ⚠ VARNING

Sørg for, at løbebåndet (Hældning) er indstillet til 0, før dækket foldes. Hvis skråningen ikke er indstillet til 1, kan dette skade mekanismen

### Juster støttefodderne

Udstyret er udstyret med 6 støttefodder. Hvis udstyret ikke er stabilt, kan fodderne justeres ..

Drej støttefodderne for at placere udstyret i en stabil position.

- Drej låsemøtrikkerne for at låse støttefodderne.

!! BEMÆRK

• Maskinen er i den maksimale stabile position, når alle støttefodder drejes helt indad. Sørg derfor for at placere maskinen helt flad ved at dreje alle støttefodder indad helt inden du drejer de nødvendige støttefodder for at stabilisere maskinen.

## Panelen (fig. E-1)

### ⚠ OBS

- Skydda panelen från direkt solljus.
- Torka av panelens yta när den är täckt av svett droppar.
- Luta dig inte mot panelen.
- Vidrör endast displayen med din fingertopp. Var noga med att inte dina naglar eller vassa föremål vidrör displayen.

## ⚠ ANMÄRKNING

- Panelen övergår till viloläge när utrustningen inte har använts på 4 minuter.

## Knappar

### Stopp/ Återställ

- Tryk en gång för att stoppa träningspasset/ löpbandet försiktigt.
- Tryk två gånger för att stoppa träningspasset / löpbandet snabbt.
- Återställ konsolen genom att hålla intryckt under 2 sekunder i "stoppläge"

### Start/ Paus

- Börja det valda träningspasset eller starta om/pausa träningspasset när i pausläge.
- Pausa aktivt träningspass.

### Program

- Tryk för att bläddra igenom möjliga program. (P0/ P1~P36/ U01~U03/ HRC1~HRC3/ FAT)

### Läge

- Bläddra mellan parametrar för målinställningen i programmeringsläge.
- Återställ tidsmål när du ställer in tidsmål för "P1~P36"-program.

## Hastighet +

- Øg hastigheden (0,8 ~ 22,0 km / t).
- Ved at trykke én gang øges hastigheden med 0,1 km / t.
- Ved at trykke på og holde i to sekunder øges hastigheden til hurtigere.
- Gennemse programmer og ændre værdier i programmeringstilstand.

## Hastighet -

- Sænker hastigheden (0,8 ~ 22,0 km / t).
- Ved at trykke en gang reduceres hastigheden med 0,1 km / t.
- Ved at trykke på og holde i to sekunder reduceres hastigheden hurtigere.

- Gennemse programmer og ændre værdier i programmeringstilstand.

### Genvejstaster:

Hastighedsknapper til hastighed er indstillet til 6, 9, 12.

For eksempel, hvis der trykkes på hastighedsknap 9 for hastighed, ændres hastigheden til 9 km / t.

Hastighedsknapper på styret for hastighed:

- + Samme som hastighed +.
- Samme som hastighed -.

## incline +

- Øger hældningen (0 ~ 15 + 1).
- Gennemse programmer og ændre værdier i programmeringstilstand.

## incline-

- minimer incline (0 ~ 15 -1)
- Gennemse programmer og ændre værdier i programmeringstilstand.

Gradientknapper til hældning.

Vippeknapper er indstillet til 0, 5, 10.

Hvis du for eksempel trykker på gradientknappen 5, ændres gradienten til 5.

Hurtigknapper på styret til hældning:

- +: Samme som skråning +.
- -: Samme som skråning -.

## Forklaring af display (figur H)

### Hastighet

- Viser løbebåndets faktiske hastighed i træningstilstand.
- Viser målhastighed i programmeringstilstand.
- Viser programvalg, når du er i programtilstand.

### Lutning

- Viser løbebåndets hældning i træningstilstand.
- Viser målgradient i programmeringstilstand.

### Avstånd

- Viser løbeafstand i træningstilstand.
- Viser den resterende afstand, når du træner i nedtællingsfunktion.
- Viser målafstanden i programmeringstilstand.

### Tid

- Viser køretid i træningstilstand.
- Viser den resterende tid under træningen i nedtællingstilstand.
- Viser måltidet i programmeringstilstand.

### Steps

Konsollen kan tælle antallet af trin under din træning, når du har en hastighed, der er højere end 3,0 km / t, og brugerens vægt er mindst 40 kg.

### hjerter

- Viser pulsen i træningstilstand eller "P", når der ikke måles hjertefrekvens.

### kalorier

- Viser forbrugte kalorier i træningstilstand.
- Viser resterende kalorier, når du træner i nedtællings funktion.
- Viser kalorimålet i programmeringstilstand.



**OBS**

Disse data er en grov guide til sammenligning af forskellige træningspas og kan ikke bruges til medicinsk behandling.

**OBS**

Skærm til scanning af tid / trin, hjerte / hældning og kalorier / afstand hvert 5. sekund.

**USB-funktion**

Du kan tilslutte din enhed til opladning under træning.  
Spænding / strøm: 5VDC / 1,0 amp

**Program****Hurtig start**

Tryk på knappen "Start / Pause" for at starte din træning uden forindstillinger.  
- Løbebåndet starter med en mindste hastighed på 0,8 km / t og opretholder den aktuelle hældningsindstilling.  
- Juster hastighed / hældning manuelt når som helst for at ændre din træning, og stop / pause, når du vil.

**Nedtælling med nedtælling med mål (P0)**

Maskinen skal være i startpositionen for at få adgang til nedtællingstilstand. Tryk og hold på knappen "Stop / Reset" i 2 sekunder for at sætte løbebåndet i startpositionen.

Tryk på knappen "Mode" for at vælge nedtællingen til målet:

- Træningstilstand 1: Tidsmål.

Brug knapperne "Hastighed / hældning + & -" til at justere værdien. Standard er 30:00 min. Interval 5: 00 ~ 95: 00 ± 1: 00.

- Træningstilstand 2: Målafstand:

Brug knapperne "Hastighed / hældning + & -" til at justere værdien. Standardindstillingen er 1,00 km. Område 1,00 ~ 99,00 ± 1,0.

- Træningstilstand 3: Nedtælling af kalorier.

Brug knapperne "Hastighed / hældning + & -" til at justere værdien. Standardindstillingen er 50. Område 20 ~ 9990 ± 10.

- Tryk på knappen "Start / Pause" for at starte træningen umiddelbart efter indstilling af det ønskede mål.

**OBS**

Når du sætter et mål, stopper løbebåndet automatisk, når det forudindstillede mål nås.

- Det er kun muligt at sætte et mål.

**Afslut din træning**

Pause din træning når som helst ved at trykke på knappen "Start / Pause" en gang.

Skærmen viser "PAUSE" i pausetilstand. Maksimal pausetid er 4,30 min.

- Tryk på knappen "Start / Pause" for at genoptage træningen i tilstanden "PAUSE".

- Tryk en gang på "STOP" for at stoppe træningen.

- Tryk på "STOP" to gange for at nulstille konsollen.

**Forudindstillede programmer (P1 ~ P36)**

Udstyret har 36 forudindstillede programmer med forskellige profiler. (Tabel, figur G.)

Tryk på knappen "Program" for at vælge programmet "P1 ~ P36", tryk på knappen "Mode" for at bekræfte.

- Indstil den ønskede træningstid

Brug knapperne "Hastighed / vip + & -" til at justere

værdi. Standard er 30:00 min.

Interval 5: 00 ~ 95: 00 ± 1: 00.

Tryk på knappen "Star / Pause" for at starte træningen.

**OBS**

Hastighed og hældning styres baseret på det valgte program.

- Et akustisk bip informerer brugeren om, at hastigheden og / eller hældningsindstillingen udføres på få sekunder.
- Varigheden af hvert segment er 1/16 af den indstillede træningstid.
- Hastigheden og hældningen kan ændres når som helst, men vil kun påvirke det aktive profilsegment. Programmet vil følge profilen igen, når det ændres til det næste profilsegment.

**Brugerprogram (U01 ~ U03)**

Udstyret har 3 brugerprogrammer.

Hvert brugerprogram kan tilpasses til personlige behov. Hvert brugerprogram har 10 trin. Hastighed og hældning kan indstilles for hvert trin. Hvert trin er 1/16 af den samlede tid.

Tryk på knappen "Program" for at vælge "U-1 ~ U-3" -program.

- Indstil den ønskede træningstid

Brug knapperne "Hastighed / hældning + & -" til at justere værdien.

Standard er 30:00 min.

Interval 5: 00 ~ 95: 00 ± 1: 00.

- Tryk på knappen "Star / Pause" for at starte træningen.

**Profilprogrammeringstilstand**

- Tryk på knappen "Program" og vælg U-1 / U-2 eller U-3.

- Tryk på knappen "Mode" for at åbne hastighedsprogrammeringstilstanden for det første profilsegment.

Indstil den ønskede hastighed for det første segment af programmet ved hjælp af "Speed + & -" knapperne, og bekræft indstillingen med knappen "Mode".

- Programmeringstilstand for hastighedssegment 2 åbnes. Programmer alle segmenter som gjort for segment 1.

- Hældningsprogrammeringstilstand åbnes,

Indstil de ønskede hældningsværdier for det første segment af programmet ved hjælp af "Slope + & -" knapperne og bekræft indstillingen med knappen "Mode".

- Programmeringstilstand for skråningssegment 2 åbnes. Programmer alle segmenter som gjort for segment 1.

- Når du bekræfter det 16. segment, blinker tidsvinduet for at indstille den ønskede træningstid.

- Tryk på "Mode" -knappen og hold den nede i 3 sekunder for at gemme din programmerede profil.

- Indstil den ønskede træningstid

Brug knapperne "Hastighed / hældning + & -" til at justere værdien. Standard er 30:00 min.

Interval 5: 00 ~ 95: 00 ± 1: 00.

- Tryk på knappen "Start / Pause" for at starte programmet.

**OBS**

Den programmerede brugerprogramprofil gemmes automatisk, så de kan bruges næste gang.

**Kropsfedt**

Kropsfedtprogrammet skal angive din tilstand baseret på dine kropsparametre og hjerterytme.

- Tryk på knappen "Mode" for at gå ind i programmeringstilstanden.

- Tryk på knappen "Program" for at vælge "FAT"

- program, tryk på knappen "Mode" for at bekræfte.

- Skærmen viser "F1" (SEX).

Skærmen viser "1"

Tryk på knappen "Hastighed / vip + & -" for at vælge: 1: Mand / 2:

Kvinde, tryk på knappen "Mode" for at bekræfte.

Skærmen viser "F2" (Alder). Skærmen viser "25"  
 Tryk på knappen "Op / ned" for at vælge: 1 ~ 99  
 tryk på knappen "Mode" for at bekræfte.  
 - Skærmen viser "F3" (Højde). Skærmen viser "170" cm  
 Tryk på "Op / Ned" -knapperne for at vælge: 100 ~ 220  
 cm  
 tryk på knappen "Mode" for at bekræfte.  
 - Skærmen viser "F4" (vægt). Skærmen viser "70" kg  
 Tryk på "Op / Ned" -knapperne for at vælge: 20 ~ 150 kg  
 tryk på knappen "Mode" for at bekræfte.  
 - Skærmen viser "F5" (Aktiv)  
 Hold i hjertefrekvenspladerne for at aktivere "FAT" -  
 målingen.  
 Om cirka 5 ~ 10 sekunder vises resultatet. Se "Beregning  
 af resultater".

**⚠ ADVARSEL**

Hold pulspladerne for at måle hjerterytmen kræves til denne funktion.

**Beregning af resultater:**

Kropstype: (Kropsfedtforhold, 9 typer)

- FAT 0 ~ 17 Undervægt
- FAT 18 ~ 24 standard
- FAT 28 ~ 28 Overvægt
  - Fat 29 ~ Upp                      Fetma.

BF = kropsfedt (i% -forhold)

- Fejlkode "ER" vises, hvis der ikke registreres nogen puls under BF-doseringsprocessen.

Tryk på knappen "Stop / Reset" for at afslutte programmet  
 .kropsfedt

**HRC-program**

HRC-programmet är ett hastighetsstyrt program baserat på din puls. Hastigheden ökar automatiskt när din puls är under målet och minskar när du är över målet.

- Tryck på knapparna "Program" för att välja "HRC"  
 HRC1: Förinställt maximum. Hastighetsgränsen är 8 km/h.  
 HRC2: Förinställt maximum. Hastighetsgränsen är 12 km/h.  
 HRC3: Förinställt maximum. Hastighetsgränsen är 22.0 km/h.  
 program, tryck på knappen "Läge" för att bekräfta.
- Ställ in din ålder skärmen visar "25"  
 Tryck på knapparna "Upp/Ner" för att välja: 1~99  
 tryck på knappen "Läge" för att bekräfta.
- Målpulsen kommer visas baserat på den inställda ålder. Målpuls = (220-ålder) x 0,6.  
 Tryck på knapparna "Upp/Ner" för att ändra målvärdet 60~200  
 tryck på knappen "Läge" för att bekräfta.
- Ställ in din träningsstid skärmen visar "30:00"  
 Tryck på knapparna "Upp/Ner" för att välja: 5:00~99:00  
 tryck på knappen "Läge" för att bekräfta.
- Tryck på knappen "Start/Paus" för att starta programmet.

**HRC-driftfunktion:**

- HRC-program börjar med en minuts uppvärmning. ( hastigheten kommer inte justeras automatiskt )
- Den inledande hastigheten är 1,0 km/h och kan justeras till en bekväm hastighet för uppvärmning manuellt.
- Konsolen kontrollerar pulsen var 30:e sekund och kontrollerar hastigheten enligt nedan

| Puls     | parameter   | hastighetsjustering |
|----------|-------------|---------------------|
| 29+ BPM  | Under målet | + 2,0 km/h          |
| 6~29 BPM | Under målet | + 1,0 km/h          |
| 0~5 BPM  | Under målet | Ingen justering     |
| 0~5 BPM  | Över målet  | Ingen justering     |
| 6~29 BPM | Över målet  | - 1,0 km/h          |
| 29+ BPM  | Över målet  | - 2,0 km/h          |

**⚠ OBS**

Hældningsindstillingen kan ikke ændres i HRC-programtilstand, men kan ændres af brugeren for at intensivere eller lette træningen.

- Hastigheden kan til enhver tid ændres af brugeren. Når
- hastigheden er over den forudindstillede hastighedsgrænse, justeres den automatisk til den forudindstillede hastighedsindstilling.

Hvis der ikke registreres nogen hjerterytme, afslutter løbebåndet træningen.

**⚠ VARNING**

Pulsmåling er påkrævet for denne funktion.

**ERP-funktion**

ERP-funktionen kan automatisk sætte løbebåndet i dvale, når den ikke er i brug i 4:30 minutter.

Du kan slå denne funktion til eller fra ved:

Når løbebåndet er i "startposition", skal du trykke på "Mode" -knappen i 3 sekunder for at skifte mellem Til og Fra.

- Skærmen viser "1111" for at indikere On-tilstand.
- Maskinen slukkes efter 4:30 minutters stilstand.
- Skærmen viser "2222" for at indikere slukket tilstand.

Maskinen slukkes efter 4:30 minutters stilstand.

**⚠ VARNING**

Vi anbefaler, at du altid indstiller ERP-funktionen til On-tilstand.

**Bluetooth & APP**

Dette panel kan tilslutte APP (Fit Hi Way) på den smarte enhed med Bluetooth. (iOS og Android).

- Etabler kun Bluetooth-forbindelsen gennem forbindelsestilstanden på den installerede APP-enhed på din smart enhed.

**⚠ OBS**

Tunturi giver dig kun mulighed for at forbinde dit træningspanel med en Bluetooth-forbindelse. Derfor bærer Tunturi intet ansvar for skader eller funktionsfejl, der opstår på andre produkter end Tunturi-produkter.

- Kontroller webstedet for yderligere oplysninger.

**Garanti**

Garanti Vilkår

Forbrugeren har ret til at anvende de nationale lovbestemte rettigheder for forbrugsvarer, og denne garanti begrænser ikke disse rettigheder.

Ejerskabsgarantien er kun gyldig, hvis Tunturis

Træningsudstyr bruges i de miljøer, som Tunturi tillader. Hvilke miljøer der er tilladt er i brugsanvisningen til træningsudstyret.

Garanti Vilkår

Garantibetingelserne begynder at gælde fra købsdatoen. Garantibetingelser kan variere mellem forskellige lande. Kontakt din lokale forhandler for garantibetingelser.

## Garantins omfattning

Oavsett omständigheter, ansvarar inte Tunturi New Fitness BV eller Tunturis återförsäljare för uppkomna personskador som påverkar köparen, och som innebär inkomstförlust eller andra ekonomiska följdverkningar.

## Gegränsningar i garantin

Garantin gäller för arbets- och materialfel, förutsatt att redskapet är i originalmonterat skick. Garantin gäller endast fel som uppstår vid normalt bruk och då den använts enligt Tunturis instruktioner gällande montering, skötsel och användning. Tunturi New Fitness BV och Tunturis återförsäljare ansvarar ej för fel som uppkommer utanför deras kontroll.

Garantin gäller endast redskapets ursprungliga ägare och är gällande endast i de länder där det finns en godkänd Tunturi New Fitness BV återförsäljare.

Garantin gäller ej för redskap eller delar som har ändrats utan Tunturi New Fitness BV:s godkännande. Garantin gäller ej för fel som beror på normalt slitage, felaktig användning, användning i förhållanden som inte är avsett för redskapet, korrosion eller lastnings- och transportskador.

Garantin täcker inte ljud som uppstår under användning såvida dessa inte väsentligt hindrar utrustningens användning eller har orsakas av ett fel i utrustningen.

Garantin gäller inte för underhållsarbete, som rengöring, smörjning eller normal kontroll av komponenterna och inte heller för monteringsarbete som kunden själv kan göra och som inte kräver att redskapet plockas isär/sätts ihop. Det gäller till exempel byte av mätare, trampor eller andra motsvarande enkla delar. Garantireparationer utförda av andra än en godkänd Tunturi-representant, ersätts inte. I fall instruktionerna i manualen inte följs upphävs produktens garanti.

## Rengöring och underhåll

### ⚠ VARNING

- Innan rengöring och underhåll, avlägsna stickkontakten från vägguttaget.
  - Använd inte lösningsmedel för att rengöra utrustningen.
- Blockera inte ventilationsöppningarna. Håll ventilationsöppningarna rena från damm, smuts och andra hinder.
  - Rengör utrustningen med en mjuk och absorberande trasa efter varje användning.
  - Rengör synliga delar av utrustningen med en dammsugare med ett litet sugmunstycke.
  - Kontrollera regelbundet att alla skruvar och muttrar är åtdragna.

## Bandet och löpunderlaget

Ditt löparband har ett högeffektivt lågfriktionsband. Bästa prestanda erhålls när löpunderlaget hålls ren. Använd en mjuk, ren och fuktad trasa eller hushållspapper för att torka av bandets kanter området mellan bandets kanter och ramen. Försök att nå så långt det går under bandets kanter. Rengör bandet så här en gång i månaden så kommer ytan på bandet att hållas i optimalt skick. Använd enbart vatten - inga rengöringsmedel får användas. Använd ett mildt rengöringsmedel och vatten och en nylonborste för att rengöra det texturerade bandet. Låt bandet torka innan du använder det igen.

## Smörjning (fig. F-4)

Löpmattan måste smörjas en gång varannan månad, baserat på en genomsnittlig användning som uppgår till 60 minuter per dag.

### ⚠ VARNING

- Innan smörjning, avlägsna stickkontakten från vägguttaget.

### ⚠ OBS.

- Vi rekommenderar att du kontrollerar löpbandets smörjning minst en gång i månaden, eftersom fler faktorer än tiden kan vara relevanta för smörjmedelsförhållandena.
- Smörj bara löpmattan vid behov. Om du använder för mycket smörjmedel, kommer löpmattan att slira på grund av för lite friktion.

- Stå stabilt på löpmattan.
- Håll i det främre handtaget och använd dina fötter för att trycka löpmattan så att den glider fram och tillbaka. Löpmattan måste röra sig jämnt och ljudlöst.
- Om löpmattan inte rör sig jämnt, eller om det inte rör sig alls, vidrör undersidan av löpmattan med dina fingertoppar och undersök smörjningen:
  - Om du känner smörjmedel eller om dina fingertoppar är blanka finns det tillräckligt med smörjmedel på löpmattan.
  - Om du inte känner något smörjmedel, eller om dina fingertoppar är dammiga, applicera smörjmedel (15-20 ml) i mitten av löpbrädan under löpmattan och låt utrustningen vara igång i 5 km/h under minst fem minuter.
  - Efter smörjning, fäll inte ihop utrustningen innan du har tränat i minst 20 minuter i en hastighet på minst 5 km/h. Smörjmedlet sprids ut jämnt över löpmattan.

## Banddamm

Detta uppstår i början och är normalt under inkörningsperioden. Torka bort synligt damm med en fuktig trasa

## Allmän rengöring

Smuts, damm och hår från husdjur kan med tiden blockera ventilationsöppningarna på löparbandet. Månatlig rengöring: dammsug under löparbandet. Ta av den svarta bakre höljet två gånger om året och dammsug invändigt. KOPPLA ALLTID UR STICKPROPPEN INNAN DU GÖR NÅGOT AV DETTA.

## Justera bältet

Denna justering görs genom att den bakre rullen. Ställskruvarna är placerade vid ändarna av ändkåporna.

- Spänn de bakre bandrullemuttrarna (medurs) bara så att bandet inte slirar på frontrullen. Vrid båda spännbultar lika mycket i steg om 1/4 varv åt gången och testa spänningen genom att gå på bandet vid en mycket låg hastighet för att kontrollera att bandet inte slirar på rullarna. Fortsätt justera tills bandet inte slirar längre.
- Om bandet är tillräckligt spänt men fortfarande slirar kan detta bero på en löst motorrem under fronthöljet..
- Spänn inte för hårt: Om du spänner bandet för hårt kan det ta skada både bandet och lagren.

## Justera bandsparningen

öparbandets prestanda är beroende på den yta som ramen står på. Om golvet inte är plant kan rullarna fram och bak inte löpa parallellt och ständig justering kan behövas.

Löparbandet har designats för att hålla bandet i mitten under användningen. Det är normalt att ett band kan dras åt ena sidan när det inte belastas. Efter några minuters användning ska bandet dock dras mot mitten igen. Om bandet istället fortsätter att dra åt ena hållet under användningen måste det justeras.

**UNDANTAG:**

Vid rehabilitering och användaren har större styrka i det ena benet, då kan det hända att bandet dras åt ena sidan. Under sådana omständigheter ska du inte justera då bandet återställer sig vid jämn belastning.

**Ställa in bandspårning: (fig. F-5)**

En 10 mm insexnyckel medföljer för justering av den bakre rullen. Justera bandspårningen enbart från vänster sida. Ställ in hastigheten på ca. 3 - 5 km/tim.

Tänk på att en liten justering kan ha stor effekt.

Vrid muttern medurs för att föra bältet åt höger. Vrid moturs för att föra det åt vänster. Vrid bara ett kvarts slag och vänta i några minuter så att bandet kan justera sig själv. Fortsätt med ytterligare ett kvarts slag tills bandet har centrerats på mitten på banan.

Regelbunden justering av bandspårningen kan krävas beroende på användning och kraftfördelning under träningen. Olika användare kan påverka spårningen olika. Det är normalt att behöva justera bandspårningen då och då. Efter ett tag krävs mindre justering. Rätt bandspårning är ägarens ansvar och är en normal justering som behövs göras regelbundet på alla löparband.

**ANMÄRKNING**

- Skada som uppstått till följd av fel bandspårning / spänning, täcks inte av garantin.

**Störningar Vid Användning**

Trots kontinuerlig kvalitetskontroll kan fel eller funktionsstörningar som beror på någon enskild komponent förekomma. Därför är det onödigt att hela redskapet skickas på reparation, eftersom det för det mesta räcker med att aktuell komponent byts.

Kontakta genast din försäljare om du upptäcker fel eller brister när du använder ditt redskap eller om du behöver reservdelar. Uppge alltid redskapets modell och serienummer. Beskriv problemet, hur redskapet använts, och uppgive inköpsdagen.

Behöver du reservdelar, uppgive också numret på reservdelar; du hittar en lista på reservdelar i slutet på den här handboken. Till apparaten är endast delar från reservdelslistan användas.

**Metrisk / Imperial inställning**

När den visade hastigheten inte matchar dina förväntningar kan maskinen vara inställd i fel inställning.

|           |   |
|-----------|---|
| Metrisk:  | Min./ Max. Hastighet:<br>0.8 Km/h/ 22.0 km/h.   |
| Imperial: | Min./ Max. Hastighet:<br>0.5 Mls/h/ 13.7 Mls/h. |

**Byt enheter genom:**

Ta av säkerhetsnyckeln. (Konsolspel E7)  
Håll knappen "Prog" & "Mode" intryckt i 3 sekunder.  
Konsolen visar snart:  
- 0.5 När bytte till Imperial-läge.  
- 0.8 När bytte till Metriska läge.  
Sätt tillbaka säkerhetsnyckeln

**Felkoder**

Om displayen visar en felkod ("E" + siffra), starta om utrustningen och kontrollera om displayen fortfarande visar felkoden. Om displayen fortfarande visar felkoden, kontakta omedelbart återförsäljaren.

**ANMÄRKNING**

- E7 är inte en felkod, se "Säkerhetsnyckel"

**Transport och lagring****VARNING**

- Innan rengöring och underhåll, avlägsna stickkontakten från vägguttaget.
- Var två om att bära och förflytta utrustningen.
- Kontrollera att det inte finns några andra personer eller föremål under utrustningen.
- När utrustningen fälls ihop, kontrollera att utrustningen blir fastlåst för att förhindra att den faller tillbaka ner.

**OBS.**

- Innan utrustningen fälls ihop, kontrollera att lutningen är 0%. Omlutningen inte är 0% kommer mekanismen att bli skadad av att fällas ihop.

- Förflytta utrustningen som på bilden (fig. F3). Förflytta utrustningen och sätt ner den försiktigt. Placera utrustningen på en skyddande grund för att förhindra att golvet skadas. Förflytta utrustningen försiktigt över ojämna ytor. Förflytta inte utrustningen till övervåningen med hjulen, utan bär utrustningen med handtagen.
- Förvara utrustningen upprätt (fig. F1). Förvara utrustningen på en torr plats med så liten temperaturvariation som möjligt.

**Ytterligare information****Bortskaffande av förpackning**

Riktlinjer från myndigheter uppmanar att vi minskar mängden avfall som placeras i deponier. Vi ber dig därför att bortskaffa allt förpackningsavfall på ett ansvarsfullt sätt på allmänna återvinningscentraler.

**Bortskaffande av uttjänt redskap**

Vi på Tunturi hoppas att du får många års trevlig användning av ditt träningsredskap. Men det kommer en tid när ditt träningsredskap är uttjänt. Enligt den europeiska WEEE-lagstiftningen, ansvarar du för korrekt bortskaffande av ditt träningsredskap på en allmän återvinningsanläggning.

## Teknisk information

| Parameter           | Måttenhet | Värde            |
|---------------------|-----------|------------------|
| Nätspänning         | VAC       | 210 ~ 240        |
| Nätfrekvens         | HZ        | 50 ~ 60          |
| Motor               | HP        | 2.5<br>5.5 Max.  |
| Hastighet           | Km/H      | 0.8 ~ 22.0       |
| Hastighet           | Mph       | 0.5 ~ 13.7       |
| Lutning             | Step      | 0 ~ 15           |
| Längd<br>(ihopvikt) | Cm        | 193.0<br>(137.0) |
| Längd<br>(ihopvikt) | Inch      | 76.0<br>(53.9)   |
| Bredd               | Cm        | 82.5             |
| Bredd               | Inch      | 32.5             |
| Höjd<br>(ihopvikt)  | Cm        | 149.0<br>(155.0) |
| Höjd<br>(ihopvikt)  | Inch      | 58.7<br>(61.0)   |
| Vikt                | Kg        | 117.0            |
| Vikt                | Lbs       | 257.9            |
| Max användarvikt    | Kb        | 150              |
| Max användarvikt    | Lbs       | 330              |
| HR. receiver        | Khz       | 5.3 Khz          |

## Försäkran från tillverkaren

Tunturi New Fitness BV försäkrar att produkten uppfyller följande standarder och direktiv: EN 957 (HA), 89/336/EEG.  
Produkten är därför CE-märkt.

12-2019

Tunturi New Fitness BV  
Purmerweg 1  
1311 XE Almere  
Nederländerna

## Friskrivning

© 2019 Tunturi New Fitness BV  
Alla rättigheter förbehållna.

Produkten och handboken kan komma att ändras. Specifikationer kan ändras utan förvarning.

## Suomeksi

Tämä suomennettu käyttöohje on käännetty Englannin kielestä. Pidätämme oikeudet mahdollisiin käännösvirheisiin. Käännös tehty virallisen, englanninkielisen version pohjalta.

## Sisältö

|  |           |
|--|-----------|
| <b>Juoksumatto</b> .....                 | <b>80</b> |
| <b>Turvallisuusvaroitukset</b> .....     | <b>80</b> |
| Sähköturvallisuus .....                  | 80        |
| <b>Monteringsanvisningar</b> .....       | <b>81</b> |
| Kuvaus (kuva A) .....                    | 81        |
| Pakkauksen sisältö (kuva. B&C) .....     | 81        |
| Kokoonpano (kuva. D) .....               | 81        |
| Lisävarusteet (kuva H) .....             | 81        |
| Harjoitukset .....                       | 81        |
| Ohjeita harjoittelua varten .....        | 81        |
| Syke .....                               | 82        |
| <b>Käyttö</b> .....                      | <b>82</b> |
| <b>Ohjauspaneeli (kuva. E-1)</b> .....   | <b>83</b> |
| Painikkeet .....                         | 83        |
| Näytön kohtien selitykset (kuva H) ..... | 83        |
| USB funktio .....                        | 84        |
| <b>Ohjelmat</b> .....                    | <b>84</b> |
| Pika-aloitus .....                       | 84        |
| Tavoitelaskuritila (P0) .....            | 84        |
| Lopeta harjoituksesi .....               | 84        |
| Valmisohjelmat (P1–P36) .....            | 84        |
| Käyttäjäohjelmat (U01–U03) .....         | 84        |
| Kehon rasvan mittaus .....               | 84        |
| Sykeohjattu ohjelma .....                | 85        |
| ERP-toiminto .....                       | 85        |
| Sovellus & Bluetooth .....               | 85        |
| <b>Takuu</b> .....                       | <b>85</b> |
| <b>Puhdistus ja huolto</b> .....         | <b>86</b> |
| Voitelu (kuva F-4) .....                 | 86        |
| <b>Käyttöhäiriöt</b> .....               | <b>87</b> |
| Metrinen / keisarillinen asetus .....    | 87        |
| Virhekoodit .....                        | 87        |
| <b>Kuljetus ja säilytys</b> .....        | <b>87</b> |
| Lisätietoa laitteen omistajalle .....    | 87        |
| <b>Tekniset tiedot</b> .....             | <b>87</b> |
| <b>Valmistajan vakuutus</b> .....        | <b>88</b> |
| <b>Vastuuvapauslauseke</b> .....         | <b>88</b> |

## Juoksumatto

Tervetuloa Tunturi Fitness -maailmaan!  
Kiitämme sinua tämän Tunturi-laitteen ostosta. Tunturi tarjoaa laajan valikoiman ammattimaisia kuntoilulaitteita, mukaan lukien crosstrainerit, juoksumatot, kuntopyörät ja soutu-laitteet. Tunturi-laite sopii koko perheelle kuntotasosta riippumatta. Katso lisätiedot verkkosivuiltamme [www.tunturi.com](http://www.tunturi.com)

### Tärkeitä turvallisuusohjeita

Tämä opas on olennainen osa kuntolaitettasi. Perehdy ohjeisiin huolellisesti ennen kuin asennat, käytät tai huollat kuntolaitettasi. Sinun tulee ehdottomasti säilyttää tämä opas, sillä jatkossa se opastaa Sinua niin kuntolaitteesi tehokkaaseen käyttöön kuin huoltoonkin. Muista aina noudattaa tämän oppaan ohjeita.

## Turvallisuusvaroitukset

### VAROITUS

- Lue turvallisuusvaroitukset ja -ohjeet. Turvallisuusvaroitusten ja -ohjeiden jättäminen noudattamatta voi aiheuttaa henkilön loukkaantumisen tai laitevaurion. Säilytä turvallisuusvaroitukset ja -ohjeet myöhempää käyttöä varten.

### VAROITUS

- Sykkeenvälontajärjestelmät saattavat olla epätarkkoja. Liiallinen harjoittelu saattaa aiheuttaa vakavia vammoja tai kuoleman. Jos tunnet olosi heikoksi, lopeta harjoittelu heti.

- Tämä laite soveltuu sekä koti- että ammattikäyttöön (esim. sairaaloihin, paloasemille, hotelleihin, kouluihin). Enimmäiskäyttö on rajoitettu 6 tuntiin päivässä. Laite ei sovellu täyteen kaupalliseen käyttöön (esim. suuriin kuntosaleihin).
- Tämän laitteen käyttö lasten tai fyysisesti, aistillisesti, henkisesti, tai liikunnallisesti rajoittuneiden, tai kokemukseltaan ja tiedoiltaan puutteellisten henkilöiden toimesta voi aiheuttaa vaaratilanteita. Heidän turvallisuudestaan vastuussa olevien henkilöiden on annettava selkeät ja tarkat ohjeet laitteen käytöstä ja valvottava laitteen käyttöä.
- Ennen harjoituksen aloittamista ota yhteys lääkäriin terveystarkastusta varten.
- Jos sinulla on pahoinvointia, huimausta, tai muita epätavallisia oireita, lopeta välittömästi harjoitus ja ota yhteys lääkäriin.
- Vältä lihaskipuja ja venähdyksiä aloittamalla jokainen harjoitus lämmittelyjaksolla ja pääätä jokainen harjoitus jäähdyttelyjaksolla. Muista venytellä harjoittelun lopuksi.
- Laite on sopiva vain sisäkäyttöön. Laite ei ole sopiva ulkokäyttöön.
- Käytä laitetta riittävällä tuuletuksella varustetuissa tiloissa. Älä käytä laitetta vetoisissa tiloissa välttääksesi kylmettymisen.
- Käytä laitetta vain ympäristölämpötilassa 10 °C - 35 °C. Säilytä laitetta vain ympäristölämpötilassa 5 °C - 45 °C.
- Älä käytä tai säilytä laitetta kosteissa tiloissa. Ilmankosteus ei saa koskaan olla yli 80 %.
- Käytä laitetta vain sen aiottuun tarkoitukseen. Älä käytä laitetta muihin, kuin tässä käyttöoppaassa esitettyihin tarkoituksiin.
- Älä käytä laitetta, jos sen jokin osa on vaurioitunut tai viallinen. Jos osa on vaurioitunut tai viallinen, ota yhteys jälleenmyyjään.
- Pidä kätesi, jalkasi ja kehon muut osat pois liikkuvista osista.
- Pidä hiuksesi pois liikkuvista osista.
- Käytä asianmukaista vaatetusta ja kenkiä.
- Pidä vaatteet, korut ja muut esineet pois liikkuvista osista.
- Varmista, että vain yksi henkilö kerrallaan käyttää laitetta. Yli 150 kg (330 lbs) ainava henkilö ei saa käyttää laitetta.
- Älä avaa laitetta ilman yhteydenottoa jälleenmyyjäsi.

## Sähköturvallisuus

(koskee vain sähköistä laitetta)

- Varmista aina ennen käyttöä, että sähkölähteen jännite on sama kuin laitekilvessä ilmoitettu laitteen nimellisjännite.
- Älä käytä jatkojohtoa.
- Pidä virtajohto pois kuumasta, öljystä ja terävistä kulmista.
- Älä tee muutoksia virtajohtoon tai pistokkeeseen.
- Älä käytä laitetta, jos virtajohto tai virtajohdon pistoke on vaurioitunut tai viallinen. Jos virtajohto tai virtajohdon pistoke on vaurioitunut tai viallinen, ota yhteys jälleenmyyjäsi.
- Suorista aina virtajohto täysin.
- Älä vie virtajohtoa laitteen alitse. Älä laita virtajohtoa maton alle. Älä laita virtajohdon päälle mitään esineitä.
- Varmista, ettei virtajohto roiku pöydän kulman yli. Varmista, ettei virtajohtoon voi vahingossa tarttua kiinni tai kompastua.
- Älä jätä laitetta ilman valvontaa virtajohdon ollessa liitettyinä pistorasiaan.
- Älä vedä pistoketta irti pistorasiasta virtajohdosta vetämällä.
- Irrota pistoke pistorasiasta, kun laite ei ole käytössä, ennen asennusta tai purkamista ja ennen puhdistusta sekä huoltoa.



**VAROITUS**

- Jos virtalähteen jännitevaihtelu on 10 % tai enemmän, se voi vaikuttaa kielteisesti juoksumaton toimintaan. Sellaiset olosuhteet eivät kuulu takuun piiriin. Jos epäilet, että jännite on alhainen, ota yhteyttä energiayhtiöosi tai valtuutettuun sähkömieheen asian tarkistamiseksi.

**VAROITUS**

- ÄLÄ käytä vikavirtasuojakytkimellä varustettua pistorasiaa tämän juoksumaton kanssa. Vikavirtasuojakytkin ei toimi luotettavasti sellaisten laitteiden kanssa, joissa on suuri moottori. Sijoita verkkojohto riittävän etäälle juoksumaton liikkuvista osista, kaltevuusmekanismi ja siirtopyörät mukaan lukien.

**Maadoitusohjeet**

Tämä laite on liitettävä maadoitettuun pistorasiaan. Jos juoksumaton sähköjärjestelmään sattuisi tulemaan häiriöitä tai vikaa, maadoitus vähentää sähköiskun vaaraa tarjoamalla sähkövirralle vähiten vastusta sisältävän polun. Juoksumaton verkkojohdossa on maadoitettu pistoke. Pistoke on liitettävä asianmukaiseen seinäpistorasiaan, joka on asennettu ja maadoitettu kaikkien paikallisten normien ja määräysten mukaisesti.

**VAROITUS**

- Maattojohdon väärä liitäntä voi aiheuttaa sähköiskun vaaran. Jos et ole varma siitä, onko laite maadoitettu ohjeiden mukaisesti, tarkista asia pätevaltä sähkömieheltä tai huoltoasentajalta. Jos kuntolaitteen mukana toimitettu pistoke ei sovi pistorasiaan, älä yritä tehdä pistokkeeseen muutoksia. Ota yhteyttä valtuutettuun sähkömieheen ohjeiden mukaisen pistorasian asentamiseksi.

**Monteringsanvisningar****Kuvaus (kuva A)**

Juoksumattosi on paikallaan pysyvä kuntoilulaite, jota käytetään simuloimaan kävelyä tai juoksua ilman liiallista rasitusta niveliin.

**Pakkauksen sisältö (kuva. B&C)**

- Pakkaus sisältää kuvassa B näytetyt osat.
- Pakkaus sisältää kuvassa C näytetyt kiinnittimet. Katso "Kuvaus"-osiota.

**ILMOITUS**

- Jos osa puuttuu, ota yhteys jälleenmyyjään.

**Kokoonpano (kuva. D)****VAROITUS**

- Kokoonpane laite esitetyssä järjestyksessä.
- Vähintään kahden henkilön on kannettava ja siirrettävä laitetta.

**HUOMAUTUS**

- Sijoita laite kovalle, tasaiselle alustalle.
  - Asettakaa laite suojalustalle lattiapinnan vaurioiden estämiseksi.
  - Varaa vähintään 100 cm tilaa laitteen ympärille.
- Katso piirroksista laitteen oikea asennus.

**Lisävarusteet (kuva H)****HUOMAUTUS**

- Kuvassa on esitetty harjoituslaite soveltuvilla pidennetyillä kaidetangoilla.
- Pidennetyt lisäkaidetangot voidaan ostaa lisävarusteena.
- Tuotenro: 19TRNRH000

Pyydä lisätietoja jälleenmyyjältä.

**Harjoitukset**

Harjoituksen on oltava sopivan kevyt, mutta pitkäkestoinen. Aerobic-harjoitus perustuu kehon maksimi hapenottokyvyn parantamiseen, mikä puolestaan parantaa kestävyyttä ja kuntotasoa. Harjoituksen aikana sinun tulisi hikoilla, mutta sinun ei tulisi hengästyä. Harjoittele vähintään kolme kertaa viikossa 30 minuuttia peruskuntotason saavuttamiseksi ja ylläpitämiseksi. Paranna kuntatasoasi lisäämällä harjoituskertojen määrää. On hyödyllistä yhdistää säännöllinen harjoitus terveelliseen dieettiin. Dieettiin sitoutuneen henkilön tulisi harjoitella päivittäin, ensi alkuun korkeintaan 30 minuuttia ja vähitellen lisäten päivittäinen harjoitusaika yhteen tuntiin. Aloita harjoituksesi hitaalla nopeudella ja pienellä vastuksella estääksesi liiallisen rasituksen sydän-verisuonijärjestelmään. Nopeutta ja vastusta voidaan vähitellen lisätä kuntotason parantuessa. Harjoituksesi tehokkuus voidaan mitata seuraamalla sydämesi lyöntinopeutta ja pulssisi nopeutta. Lisää nopeutta ja vastusta vähitellen oman kuntosi mukaan. Pidä pää pystyssä ja kaula suorana välttääksesi stressiä kaulassa, hartioissa ja selässä. Pidä selkäsi suorana. Varmista, että jalkasi ovat keskellä polkimia ja että lantio, polvet, nilkat ja varpaat ovat suorana eteenpäin. Pidä painosi alaruumiin yläpuolella, huolimatta siitä, nojaatko eteenpäin vai seisotko suorana. Lopeta harjoitusjaksosi vähentämällä nopeutta ja vastusta vähitellen. Muista venytellä harjoittelun loppuksi.

**Ohjeita harjoittelua varten**

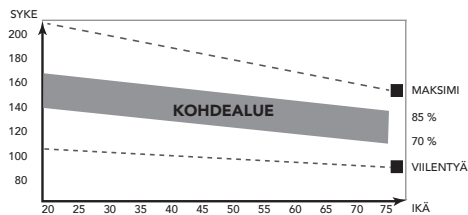
Kuntolaitteen käyttö tarjoaa monia etuja: se parantaa fyysistä kuntoa, kiinteyttää lihaksia ja hallittuun ruokavalion yhdistettynä se auttaa myös pudottamaan painoa.

**Lämmittelyvaihe**

Tämän vaiheen tarkoituksena on saada veri virtaamaan nopeammin ympäri kehoa ja panna lihakset tekemään työtä. Lämmittely vähentää myös kramppien ja lihavammojen riskiä. Suosittelemme, että teet muutaman venyttelyharjoituksen alla olevan kuvan mukaisesti. Jokaisen venytyksen tulisi kestää noin 30 sekuntia. Älä tee venytyksiä väkisin tai nykäisten - jos tunnet kipua, LOPETA.

**Harjoitteluvaihe**

Tämä on se vaihe, jossa ponnistelet. Säännöllisen harjoittelun tuloksena jalkojesi lihakset tulevat joustavammiksi. Tässä vaiheessa on hyvin tärkeää ylläpitää tasaista nopeutta koko ajan. Rasituksen tulisi olla riittävän suuri, jotta sykkeesi nousee tavoitealueelle alla olevan kaavion mukaisesti



Tämän vaiheen tulisi kestää vähintään 12 minuuttia, mutta useimmilla aloittelijoilla se on noin 15-20 minuuttia.

**Jäähdyttelyvaihe**

Tämän vaiheen tarkoituksena on antaa verenkiertojärjestelmäsi ja lihaksiesi palautua. Jäähdyttelyssä toistetaan lämmittelyvaiheen harjoitukset vähentämällä ensin nopeutta ja jatkamalla tällä nopeudella noin 5 minuuttia. Toista sitten venyttelyharjoitukset pitäen mielessä, että venytyksiä ei saa tehdä väkisin tai nykäisten. Kun kuntosi nousee, voit tarvita pidempiä ja raskaampia harjoituksia. On suositeltavaa treenata vähintään kolme kertaa viikossa, ja harjoittelut olisi hyvä jakaa tasaisesti viikon varrelle.

**Lihasten kiinteytys**

Jos tavoitteenasi on lihasten kiinteytys, sinun pitää asettaa vastus suureksi. Silloin jalkojesi lihakset rasittuvat enemmän, etkä ehkä pysty treenaamaan niin pitkään kuin haluaisit. Jos tavoitteenasi on myös kunnan kohentaminen, sinun pitää muuttaa harjoitteluohjelmaasi. Harjoittele lämmittely- ja jäähdyttelyvaiheissa normaalisti, mutta

lisää vastusta harjoitteluvaiheessa, jotta jalkasi joutuvat tekemään enemmän työtä. Vähennä tarvittaessa nopeutta, jotta sykkeesi pysyy tavoitealueella.

### Painon pudotus

Ratkaisevaa on se, miten rasittavaa harjoittelu on. Mitä enemmän ja mitä pidempään harjoittelet, sitä enemmän poltat kaloreita. Vaikutus on sama kuin jos harjoittelisit kunnan kohentamiseksi, vaikka tavoite on nyt toinen.

## Syke

### Pulssinopeuden mittaus (käsipulssianturit)

Pulssinopeus mitataan käsitukiä antureilla käyttäjän koskettaessa kumpaakin anturia samanaikaisesti.

Pulssi saadaan mitattua mahdollisimman tarkasti, kun iho on hieman kostea ja se koskettaa koko ajan käsipulssiantureita. Jos iho on liian kuiva tai liian kostea, pulssinopeuden mittaus voi olla epätarkempi.

#### ILMOITUS

- Älä käytä käsipulssiantureita yhdessä sykevyön kanssa.
- Jos asetat rajan sydämen lyöntinopeudelle, rajan ylittyessä kuuluu äänihälytys.

### Sykkeen mittaus (sykevyö)

#### ILMOITUS

- Rinnahihna ei ole vakiona tämän kouluttajan kanssa. Kun haluat käyttää langatonta rintahihnaa, sinun on ostettava tämä lisävarusteena.

Tarkin sydämen lyöntinopeus saadaan sykevyöllä. Sykemittaus tapahtuu käyttöliittymän sykevastaanottimen ja sykevyön lähettimen avulla. Tarkka sydänmittaus edellyttää lähettimen elektrodien olevan hieman kosteita ja jatkuvassa kosketuksessa ihoon. Jos elektrodit ovat liian kuivia tai liian kosteita, sykkeen mittaus voi olla epätarkempi.

#### VAROITUS

- Jos sinulla on sydäntahdistin, ota yhteys lääkäriin ennen sykevyön käyttöä.

#### HUOMAUTUS

- Jos useita sykemittauslaitteita on vierekkäin, varmista, että niiden keskinäinen etäisyys on vähintään 2 metriä.
- Varmistu, että laitteen sykevastaanottimen ja sykevyön lähettimen kantomatkan sisällä ei ole muita lähettäjiä, jotka voisivat aiheuttaa häiriöitä mittauksessa.

#### ILMOITUS

- Älä käytä sykevyötä yhdessä käsipulssiantureiden kanssa.
- Pidä aina sykevyötä vaatteittesi alla suorassa kosketuksessa ihoosi. Älä pidä sykevyötä vaatteittesi päällä. Jos pidät sykevyötä vaatteittesi päällä, signaalia ei ole.
- Jos asetat rajan sydämen lyöntinopeudelle, rajan ylittyessä kuuluu äänihälytys.
- Lähetin lähettää sykkeen korkeintaan 1,5 metrin etäisyydellä olevaan ohjauspaneeliin. Jos elektrodit eivät ole kosteita, sydämen lyöntinopeus ei tule näytölle.
- Jotkin vaatteiden kuidut (esim. polyesteri, polyamidi) synnyttävät staattista sähköä, mikä voi estää tarkan sydämen lyöntinopeuden mittauksen.
- Matkapuhelimet, televisiot ja muut sähkölaitteet luovat sähkömagneettisen kentän, joka voi estää tarkan sydämen lyöntinopeuden mittauksen.

### Suurin sallittu sydämen lyöntinopeus (harjoituksen aikana)

Suurin sallittu sydämen lyöntinopeus on suurin lyöntinopeus, jonka henkilö voi turvallisesti saavuttaa harjoituksen rasituksella. Seuraavaa kaavaa käytetään laskemaan keskimääräinen suurin sallittu sydämen lyöntinopeus: 220 - IKÄ. Suurin sallittu sydämen lyöntinopeus vaihtelee henkilöstä toiseen.

#### VAROITUS

- Varmista, ettet ylitä sydämesi suurinta sallittua lyöntinopeutta harjoituksen aikana. Jos kuulut riskiryhmään, ota yhteys lääkäriin.

### Aloittelija

#### 50-60% suurimmasta sallitusta sydämen lyöntinopeudesta

Sopiva aloittelijoille, painonvartijoille, toipilaille, ja henkilöille, jotka eivät ole harjoitelleet pitkään aikaan. Harjoittele vähintään kolme kertaa viikossa, 30 minuuttia kerrallaan.

### Edistynyt

#### 60-70% suurimmasta allitusta sydämen lyöntinopeudesta

Sopiva henkilöille, jotka haluavat parantaa ja ylläpitää kuntoaan. Harjoittele vähintään kolme kertaa viikossa, 30 minuuttia kerrallaan..

### Ekspertti

#### 70-80 % suurimmasta sallitusta sydämen lyöntinopeudesta

Sopiva kunnoltaan erittäin hyvälle henkilöille, jotka ovat tottuneet pitkäkestoisiin harjoituksiin.

## Käyttö

### Pääkytkin (kuva E-2A)

Tämä laite on varustettu pääkytkimellä laitteen sammuttamiseksi kokonaan.

### Laitteen käynnistäminen:

- Työnnä virtajohdon pistoke laitteeseen.
- Laita virtajohdon pistoke pistorasiaan.
- Laita pääkytkin ON-asentoon.

### Laitteen pysäyttäminen:

- Laita pääkytkin OFF-asentoon.
- Poista virtajohdon pistoke pistorasiasta.
- Poista virtajohdon pistoke laitteesta.

### Turvallisuusavain (kuva F-4)

Laite on varustettu turvallisuusavaimella, joka on laitettava asianmukaisesti ohjauspaneeliin laitteen käynnistämiseksi. Jos poistat turvallisuusavaimen ohjauspaneelista, laite pysähtyy välittömästi.

- Työnnä turvallisuusavain ohjauspaneelissa olevaan hahloon.
- Varmista, että turvallisuusavaimen pidike on kiinnitetty hyvin vaatteisiisi. Varmista, että pidike ei irtoa vaatteistasi ennen kuin turvallisuusavain irtoaa ohjauspaneelista.

#### ILMOITUS

- Konsoli näyttää E7-koodin, kun turva-avain ei ole paikallaan käynnistyksen aikana.

### Katkaisin (kuva. E-2B)

Laite on varustettu katkaisimella, joka avaa virtapiirin sähkökuormituksen ollessa yli suurimman sallitun kuorman. Tämän tapahtuessa katkaisijaa on painettava.

#### VAROITUS

- Poista virtajohdon pistoke laitteesta ennen katkaisimen painamista.

Jos laite sammuttaa itsensä, käynnistä laite uudestaan seuraavasti:

- Poista virtajohdon pistoke laitteesta.
- Paina katkaisinta laitteen käynnistämiseksi uudelleen.
- Työnnä virtajohdon pistoke laitteeseen.

#### ILMOITUS

- Joitakin kotona käytettäviä katkaisimia ei ole luokiteltu korkeaan käynnistysjännitevirtaan, jota voi esiintyä, kun juoksumatto kytketään päälle ja jopa normaalin käytön aikana. Jos juoksumattosi aktivoi katkaisimen (vaikka luokitus on oikea ja juoksumatto on virtapiiriin ainoa laite), mutta juoksumaton oma katkaisin ei aktivoitu, sinun pitää vaihtaa katkaisin korkealle käynnistysjännitevirralle tarkoitettuun tyyppiin. Tämä vika ei kuulu takuun piiriin. Kyseessä on asia, johon emme valmistajana voi vaikuttaa.

### Laitteen avaaminen ja kokoontaittaminen (kuva F1-F2)

Laite voidaan avata käyttöä varten (kuva F1) ja taittaa kokoon kuljetusta ja säilytystä varten (kuva F2).  
Katso piirroksista oikea tapa laitteen avaamiseen ja taittamiseen kokoon.

#### ⚠ VAROITUS

- Juoksualustan voi nostaa säilytysasentoon vain, mikäli alustan kulma on 0%. Mikäli kulma on jokin muu, säilytysasentoon nostaminen vahingoittaa lukitusmekanismia!

### Tukijalkojen säätäminen

Laite on varustettu 4 tukijalalla. Tukijalkoja voidaan säätää, jos laite ei ole vakaa.

- Käännä tukijalkoja tarpeen mukaan, jotta laite on vakaasti lattialla.
- Lukitse tukijalat kiristämällä lukkomutterit.

#### 🔧 ILMOITUS

- Laite on vakain, kun kaikki tukijalat on kierretty täysin sisään. Tämän vuoksi, aloita laitteen säätäminen vaakasuoraan kiertämällä kaikki tukijalat ensin täysin sisään, ennen kuin kierrät tarvittavia jalkoja ulospäin laitteen saamiseksi vakaaksi.

## Ohjauspaneeli (kuva. E-1)

#### ⚠ HUOMAUTUS

- Pidä ohjauspaneeli pois suorasta auringonvalosta.
- Kuivaa ohjauspaneelin pinta, jos siihen on tippunut hikeä.
- Älä nojaa ohjauspaneeliin.
- Kosketa näyttöä vain sormenpäälläsi. Älä kosketa näyttöä kynsilläsi tai terävillä esineillä.

#### 🔧 ILMOITUS

- Ohjauspaneeli siirtyy valmiustilaan, kun laitetta ei ole käytetty 4 minuuttiin.

## Painikkeet

### Stop/Reset

- Paina kerran keskeyttääksesi harjoituksen/pysäyttääksesi juoksumaton hellästi.
- Paina kahdesti keskeyttääksesi harjoituksen/pysäyttääksesi juoksumaton nopeammin.
- Nollaa konsoli painamalla ja pitämällä pohjassa 2 sekunnin ajan "pysäytystilassa"

### Start/Pause

- Aloita valittu harjoitus tai aloita keskeytetty harjoitus uudelleen, kun laite on keskeytystilassa.
- Keskeytä aktiivinen harjoitus.

### Prog

- Paina selataksesi mahdollisia ohjelmia.  
(P0/ P1–P36/ U01–U03/ HRC1–HRC3/ FAT)

### Mode

- Selaa tavoitteiden asetusparametrejä ohjelmointitilassa.
- Nollaa aikataavoite asettaessa aikataavoitetta ohjelmille P1–P36.

### Speed +

- Lisää nopeutta (0.8 ~ 22.0 km/h).
- Yksi painallus lisää nopeutta 0.1 km/h.
- Painamalla ja pitämällä pohjassa kahden sekunnin ajan voi kasvattaa nopeutta nopeammin.
- Selaa ohjelmia ja muuta arvoja ohjelmointitilassa.

### Speed -

- Vähentää nopeutta (0.8 ~ 22.0 km/h).
- Yksi painallus vähentää nopeutta 0.1 km/h.
- Painamalla ja pitämällä pohjassa kahden sekunnin ajan voi pienentää nopeutta nopeammin.
- Selaa ohjelmia ja muuta arvoja ohjelmointitilassa.

### Nopeudensäätöpainikkeet:

Nopeudensäätöpainikkeiden arvoiksi on määritetty 6, 9 ja 12. Nopeus esimerkiksi muuttuu mistä tahansa nopeudesta arvoon 9 km/h, kun nopeudensäätöpainiketta 9 painetaan.

### Kahvojen nopeuden pikasäätönäppäimet:

- + Sama kuin Speed +.
- Sama kuin Speed -.

### Incline +

- Lisää kulmaa (0 ~ 15 +1).
- Selaa ohjelmia ja muuta arvoja ohjelmointitilassa.

### Incline -

- Vähentää kulmaa (0 ~ 15 -1).
- Selaa ohjelmia ja muuta arvoja ohjelmointitilassa.

### Kulmansäätöpainikkeet.

Kulmansäätöpainikkeiden arvoiksi on määritetty 0, 5 ja 10. Kulma esimerkiksi muuttuu mistä tahansa kulmasta arvoon 5, kun kulmansäätöpainiketta 5 painetaan.

### Kahvojen kulman pikasäätönäppäimet:

- + : Sama kuin Incline +.
- : Sama kuin Incline -.

## Näytön kohtien selitykset (kuva H)

### Nopeus

- Näyttää juoksumaton tämänhetkisen nopeuden harjoittelutilassa.
- Näyttää tavoitenopeen ohjelmointitilassa.
- Näyttää ohjelmavalinnan ohjelmointitilassa.

### Kulma

- Näyttää juoksumaton tämänhetkisen kulman harjoittelutilassa.
- Näyttää tavoitekulman ohjelmointitilassa.

### Matka

- Näyttää juostun matkan harjoittelutilassa.
- Näyttää jäljellä olevan matkan laskuritulassa.
- Näyttää tavoitematkan ohjelmointitilassa.

### Aika

- Näyttää tähänastisen juoksuajan harjoittelutilassa.
- Näyttää jäljellä olevan ajan laskuritulassa.
- Näyttää tavoiteajan ohjelmointitilassa.

### Steps

Konsoli pystyy laskemaan harjoituksen aikana ottamasi askeleet, kun nopeutesi on yli 3.0 km/h, ja käyttäjän paino on vähintään 40 kg.

### Syke

- Näyttää sykkeen harjoittelutilassa tai kirjaimen "P", silloin kun sykettä ei mitata.

### Kalorit

- Näyttää kulutetut kilokalorit harjoittelutilassa.
- Näyttää jäljellä olevat kilokalorit laskuritulassa.
- Näyttää tavoitekilokalorit ohjelmointitilassa.

#### 🔧 HUOM.

- Nämä tiedot muodostavat suurpiirteisen oppaan eri harjoitusjaksojen vertailuun. Niitä ei voi käyttää lääketieteellisessä hoidossa.

**⚠ HUOM.**

- Aika-/askel-, syke-/kulma- ja kalori-/matkanäyttö päivittyvät 5 sekunnin välein.

**USB funktio**

Voit ladata USB-liitännällä varustetun laitteesi harjoittelun aikana. Jännite/ virta: 5VDC/ 1.0 Amp

**Ohjelmat****Pika-aloitus**

- Paina "Start/Pause"-painiketta aloittaaksesi harjoituksesi ilman ennalta määritettyjä asetuksia.
- Juoksumatto käynnistyy 0.8 Km/h:n miniminopeudella ja säilyttää nykyisen kulma-asetuksen.
- Voit milloin tahansa säätää nopeutta/kulmaa halutessasi muuttaa harjoitustasi, ja voit myös lopettaa/keskeyttää harjoituksen milloin tahansa.

**Tavoitelaskuritila (P0)**

Laitteen tulee olla käynnistystilassa tavoitelaskuritan valitsemiseksi. Pidä painettuna "Stop/Reset"-painiketta 2 sekunnin ajan asettaaksesi juoksumaton käynnistystilaan.

- Paina "Mode"-painiketta valitaksesi tavoitelaskuritan:
  - Harjoitusmuoto 1: Aikatavoite. Säädä arvoa "Speed/ Incline + ja -" -näppäimillä. Oletusarvo 30:00 min. Arvoväli 5:00–95:00 ± 1:00.
  - Harjoitusmuoto 2: Matkatavoite. Säädä arvoa "Speed/ Incline + ja -" -näppäimillä. Oletusarvo 1,00 km. Arvoväli 1,00–99,00 ± 1,0.
  - Harjoitusmuoto 3: Kalorilaskuri. Säädä arvoa "Speed/ Incline + ja -" -näppäimillä. Oletusarvo 50. Arvoväli 20–9 990 ± 10.
- Paina "Start/Pause"-painiketta aloittaaksesi harjoituksesi suoraan asetettuasi haluamasi tavoitteen.

**⚠ HUOM.**

- Kun tavoite on asetettu, juoksumatto pysähtyy automaattisesti, kun asetettu tavoite on saavutettu.
- Tavoitteita voi asettaa vain yhden.

**Lopeta harjoituksesi**

- Voit keskeyttää harjoituksesi milloin tahansa painamalla kerran "Start/Pause"-painiketta. Näytöllä näkyy "PAUS", kun harjoitus on "Pause"-tilassa. Keskeytyksen enimmäisaika on 4 min 30 sek.
- Jatka harjoittelua "PAUS"-tilan jälkeen painamalla "Start/Pause"-painiketta.
- Lopeta harjoitus painamalla kerran "STOP"-painiketta.
- Nollaa konsoli painamalla kahdesti "STOP"-painiketta.

**Valmisohjelmat (P1–P36)**

Laitteessa on 36 valmisohjelmaa, joilla on erilaiset profiilit. (Taulukko G)

- Valitse "P1–P36"-ohjelma painamalla "Prog"-painikkeita, ja vahvasta painamalla "Mode"-painiketta.
- Määritä haluamasi harjoituksen kesto. Säädä arvoa "Speed/ Incline + & -" -näppäimillä. Oletusarvo 30:00 min. Arvoväli 5:00–95:00 ± 1:00.
- Paina "Start/Pause"-painiketta aloittaaksesi harjoituksesi.

**⚠ HUOM.**

- Nopeus ja kulma riippuvat valitusta ohjelmasta.
- Merkkiäänä ilmoittaa käyttäjälle, että nopeutta ja/tai kulmaa säädetään muutaman sekunnin kuluttua.
- Kunkin osion kesto on 1/16 sarjan harjoitusajasta.
- Nopeutta ja kulmaa voidaan vaihtaa milloin tahansa, mutta se vaikuttaa vain aktiiviseen profiiliin osioon. Ohjelma seuraa profiilia uudelleen siirtyessään seuraavaan profiiliin osioon.

**Käyttäjöohjelmat (U01–U03)**

Laitteessa on 3 käyttäjöohjelmaa.

Jokaista käyttäjöohjelmaa voi muokata omien tarpeiden mukaan. Jokaisessa käyttäjöohjelmassa on 10 vaihetta. Nopeus ja kulma voidaan määrittää jokaiseen vaiheeseen erikseen. Jokainen vaihe kestää 1/16 kokonaisharjoitusajasta.

- Valitse "U-1–U-3"-ohjelma painamalla "Prog"-painikkeita.
- Määritä haluamasi harjoituksen kesto. Säädä arvoa "Speed/ Incline + & -" -näppäimillä. Oletusarvo 30:00 min. Arvoväli 5:00–95:00 ± 1:00.
- Paina "Start/Pause"-painiketta aloittaaksesi harjoituksesi.

**Profiilin ohjelmointitila**

- Valitse U-1, U-2 tai U-3 painamalla "Prog"-painiketta.
- Avaa ohjelmointitila ensimmäisen profiiliin osion nopeudelle painamalla "Mode"-painiketta. Aseta haluamasi nopeusarvot ohjelman ensimmäiseen osioon "Speed + & -" -painikkeilla, ja vahvasta asetus "Mode"-painikkeella.
- Ohjelmointitila osan 2 nopeudelle aukeaa. Ohjelmoi kaikki nopeusosiot kuten osalle 1.
- Ohjelmointitila kulmalle aukeaa, Aseta haluamasi kulma-arvot ohjelman ensimmäiseen osioon "Incline + & -" -painikkeilla, ja vahvasta asetus "Mode"-painikkeella.
- Ohjelmointitila osan 2 kulmalle aukeaa. Ohjelmoi kaikki kulmaosiot kuten osalle 1.
- Kun vahvistat 16. osion, aikaikkuna vilkkuu. Siihen tulee määrittää haluttu harjoituksen kesto.
- Tallenna ohjelmoitu profiilisi painamalla "Mode"-painiketta pohjassa 3 sekunnin ajan.
- Määritä haluamasi harjoituksen kesto. Säädä arvoa "Speed/ Incline + & -" -näppäimillä. Oletusarvo 30:00 min. Arvoväli 5:00–95:00 ± 1:00.
- Käynnistä ohjelma painamalla "Start/Pause"-painiketta.

**⚠ HUOM.**

- Ohjelmoitu käyttäjöohjelmaprofiili tallentuu automaattisesti, jotta sitä voidaan käyttää seuraavalla kerralla.

**Kehon rasvan mittaus**

Kehonrasvaohjelmalla pyritään määrittämään fyysinen kuntosi kehosi parametrien ja sykkeesi perusteella.

- Avaa ohjelmointitila painamalla "Mode"-painiketta.
- Valitse "FAT"-ohjelma painamalla "Prog"-painikkeita, ja vahvasta painamalla "Mode"-painiketta.
- Näytöllä näkyy "F1" (Sukupuoli). Näytöllä näkyy "1". Valitse painamalla "Speed/ Incline + & -" -painikkeita: 1: Mies/ 2: Nainen – Vahvasta painamalla "Mode"-painiketta.
- Näytöllä näkyy "F2" (Ikä). Näytöllä näkyy "25". Valitse painamalla "Ylös/Alas"-painikkeita: 1–99 Vahvasta painamalla "Mode"-painiketta.
- Näytöllä näkyy "F3" (Pituus). Näytöllä näkyy "170" cm Valitse painamalla "Ylös/Alas"-painikkeita: 100–220 cm Vahvasta painamalla "Mode"-painiketta.

- Näytöllä näkyy "F4" (Paino). Näytöllä näkyy "70" kg  
Valitse painamalla "Ylös/Alas"-painikkeita: 20–150 kg  
Vahvista painamalla "Mode"-painiketta.
- Näytöllä näkyy "F5" (Aktiivinen)  
Pidä kiinni kahvojen sykemittaritunnin aktivoidaksesi "FAT"-mittauksen.  
Noin 5–10 sekunnin päästä tulos tulee näytölle. Katso "Tuloksen laskenta".

### ⚠ HUOMIO

- Tämä toiminto edellyttää käsikahvan kosketuksella toimivista sykemittauslevyistä kiinnittämistä.

### Tuloksen laskenta:

- VARTALOTYYPPI: (Kehon rasvaprosentti; 9 tyyppiä)
  - FAT 0 ~ 17 Alipaino
  - FAT 18 ~ 24 Normaali
  - FAT 28 ~ 28 Ylipaino
  - FAT 29 ~ Up Liikalihavuus.
- BF = kehon rasvan mittausta (%-osuutena)
- Virhekoodi "ER" tulee näytölle, jos kehon rasvan mittausprosessin aikana ei havaittu sykettä.
- Poistu rasvanmittausohjelmasta painamalla "Stop/Reset"-painiketta.

### Sykeohjattu ohjelma

Sykeohjattu ohjelma on sykkeeseesi perustuva nopeusohjelma. Nopeus kasvaa automaattisesti, kun sykkeesi on tavoitteen alapuolella, ja laskee, kun se on tavoitteen yläpuolella.

- Valitse sykeohjattu ohjelma ("HRC") painamalla "Prog"-painikkeita  
HRC1: Ennalta määritetty maksimi- Nopeusraja on 8 km/h.  
HRC2: Ennalta määritetty maksimi- Nopeusraja on 12 km/h.  
HRC3: Ennalta määritetty maksimi- Nopeusraja on 22.0 km/h.  
Ohjelma, vahvista painamalla "Mode"-painiketta.
- Aseta ikäsi Näytöllä näkyy "25"  
Valitse painamalla "Ylös/Alas"-painikkeita: 1–99  
Vahvista painamalla "Mode"-painiketta.
- Tavoitesyke näytetään. Se perustuu määrittämääsi ikään.  
Tavoitesyke =  $(220 - \text{ikä}) \times 0,6$ .  
Paina "Ylös/Alas"-painikkeita muuttaaksesi kohdearvoa 60~200 vahvista painamalla "Mode"-painiketta.
- Aseta harjoitusaikasi Näytöllä näkyy "30:00"  
Valitse painamalla "Ylös/Alas"-painikkeita: 5:00–99:00  
Vahvista painamalla "Mode"-painiketta.
- Käynnistä ohjelma painamalla "Start/Pause"-painiketta.

### Sykeohjatun ohjelman toiminta:

- Sykeohjattu ohjelma alkaa minuutin lämmittelyllä (nopeus ei säädy automaattisesti).
- Alkunopeus on 1,0 km/h. Tätä voidaan säätää sopivaan lämmittelynopeuteen manuaalisesti.
- Konsoli tarkistaa sykkeen 30 sekunnin välein ja ohjaa nopeutta alla mainitusti

| Syke                    | parametri       | nopeuden säätö |
|-------------------------|-----------------|----------------|
| 29+ lyöntiä minuutissa  | alle tavoitteen | + 2,0 km/h     |
| 6–29 lyöntiä minuutissa | alle tavoitteen | + 1,0 km/h     |
| 0–5 lyöntiä minuutissa  | alle tavoitteen | Ei säädetä     |
| 0–5 lyöntiä minuutissa  | yli tavoitteen  | Ei säädetä     |
| 6–29 lyöntiä minuutissa | yli tavoitteen  | - 1,0 km/h     |
| 29+ lyöntiä minuutissa  | yli tavoitteen  | - 2,0 km/h     |

### ⚠ HUOM.

- Kulma-asetusta ei ohjata sykeohjatussa ohjelmatilassa, mutta käyttäjä voi ohjata sitä milloin tahansa lisätäkseen tai helpottaakseen rasiutusta.
- Käyttäjä voi muuttaa nopeutta milloin tahansa.
- Kun nopeus on yli esiasetetun nopeusrajoituksen, se säädetään automaattisesti esiasetettuun nopeusasetukseen.
- Jos sykettä ei havaita, juoksumatto lopettaa harjoituksen.

### ⚠ HUOMIO

- Tämä toiminto edellyttää sykkeen mittaamista.

### ERP-toiminto

ERP-toiminto sammuttaa juoksumattosi virransäästötilaan automaattisesti, kun sitä ei ole käytetty 4:30 minuuttiin.

Voit ottaa tämän toiminnon käyttöön ja poistaa sen käytöstä seuraavasti:

- Kun juoksumatto on "käynnistystilassa", paina "Mode"-painiketta yhtäjaksoisesti 3 sekunnin ajan vaihtaaksesi Päällä- ja Pois päältä-tilan välillä.
  - Näytöllä näkyvä "1111" kertoo tilan olevan Päällä.  
Laitte menee valmiustilaan, kun sitä ei käytetä 4:30 minuuttiin.
  - Näytöllä näkyvä "2222" kertoo tilan olevan Pois päältä.  
Laitte menee valmiustilaan, kun sitä ei käytetä 4:30 minuuttiin.

### ⚠ HUOMIO

- Suosittelemme määrittämään, että ERP-toiminto on aina Päällä-tilassa.

### Sovellus & Bluetooth

- Tämä konsoli voi muodostaa yhteyden älylaitteen sovellukseen Bluetoothin välityksellä. (iOS & Android)
- Luo Bluetooth-yhteys vain asennetun APP-yhteystilan avulla älykkäässä laitteessa.

### ⚠ HUOM

- Tunturi ainoastaan tarjoaa mahdollisuuden yhdistää kuntolaite Bluetooth-yhteyden välityksellä. Tunturi ei siten ole vastuussa muiden kuin Tunturi-tuotteiden vahingoista tai toimintahäiriöistä.
- Tarkista verkkosivuilla lisätietoja.

### Takuu

#### Takuuehdot

Kuluttajalla on sovellettavan kulutustavaroiden kauppaa koskevan kansallisen lainsäädännön mukaiset lailliset oikeudet, eikä takuulla rajoiteta näitä oikeuksia. Omistajan Takuu on voimassa vain, mikäli laitetta käytetään Tunturi New Fitness BV:n kyseiselle laitteelle sallimassa käyttöympäristössä. Kunkin laitteen sallittu käyttöympäristö mainitaan laitteen käyttöohjeessa.

#### Takuuehdot

Takuuehdot tulevat voimaan tuotteen ostopäivästä lukien. Takuuehdot voivat olla erilaiset eri maissa, joten pyydä takuuehdot paikalliselta jälleenmyyjältä.

#### Takuun kattavuus

Missään olosuhteissa Tunturi New Fitness BV tai Tunturi-jälleenmyyjä ei vastaa ostajalle mahdollisesti aiheutuvista välillisistä vahingoista, kuten käyttötyötyön tai tulojen menetyksestä taikka muista taloudellisista seurausvahingoista.

#### Takuun rajoitukset

Takuu kattaa työstä ja materiaalista johtuvat virheet kuntolaitteessa, joka on alkuperäisessä kokoonpanossaan. Takuu koskee vain virheitä, jotka ilmenevät normaalissa ja laitteen mukana tulleen ohjekirjan mukaisessa käytössä edellyttäen, että Tunturin asennus-, huolto- ja käyttöohjeita on noudatettu. Tunturi

New Fitness BV:n ja Tunturin jälleenmyyjät eivät vastaa virheistä, jotka aiheutuvat heidän vaikutusmahdollisuuksiensa ulkopuolella olevista seikoista. Takuu on voimassa vain niissä maissa, joissa Tunturi New Fitness BV:llä on valtuutettu maahantuoja. Takuu ei koske sellaisia kuntolaitteita tai osia, joita on muutettu ilman Tunturi New Fitness BV:n suostumusta. Takuu ei koske virheitä, jotka johtuvat luonnollisesta kulumisesta, virheellisestä käytöstä, käytöstä olosuhteissa, joihin kuntolaitetta ei ole tarkoitettu, korroosiosta tai lastaus- tai kuljetusvahingoista.

Takuu ei koske käyttöäniä, jotka eivät olennaisesti haittaa laitteen käyttöä eivätkä johdu laitteesta olevasta virheestä. Takuu ei myöskään sisällä kunnossapitotoimenpiteitä, kuten puhdistusta, voitelua tai sen osien normaalia tarkistamista, eikä sellaisia asennustoimenpiteitä, jotka asiakas voi suorittaa itse ja jotka eivät edellytä erityistä kuntolaitteen purkamista / kokeamista. Tällaisia toimenpiteitä ovat esim. mittareiden, polkimien tai muiden vastaavien yksinkertaisten osien vaihdot. Muun kuin valtuutetun Tunturi-edustajan suorittamia takuukorjauksia ei korvata. Laitteen käyttöohjeen noudattamatta jättäminen aiheuttaa takuun raukeamisen.

## Puhdistus ja huolto

### ⚠ VAROITUS

- Poista pistoke pistorasiasta ennen puhdistusta ja huoltoa.
  - Älä käytä liuottimia laitteen puhdistukseen.
- Älä peitä tuuletusaukkoja. Pidä tuuletusaukot puhtaana pölystä, liasta ja muista esteistä.
  - Puhdista laite pehmeällä, imukykyisellä kankaalla jokaisen käytön jälkeen.
  - Puhdista laitteen näkyvät osat pölynimurilla käyttäen pientä imupäätä.
  - Tarkista säännöllisesti kaikkien ruuvien ja mutterien olevan tiukasti kiinni.

### Matto ja juoksualusta

Juoksumatossa on hyvin tehokas ja alhaisen kitkan omaava juoksualue. Suoritukset voidaan maksimoida pitämällä juoksualusta niin puhtaana kuin mahdollista. Pyyhi pehmeällä, kevyesti kostutetulla liinalla tai paperipyyhkeellä maton reunat sekä maton reunojen ja rungon välinen alue. Puhdista mahdollisuuksien mukaan myös maton reunojen alta. Tämä pitäisi tehdä kerran kuussa maton ja juoksualustan käyttöäniä pidentämiseksi. Käytä pelkkää vettä. Älä käytä puhdistus- tai hankausaineita. Strukturoidun maton yläpuolen voi puhdistaa miedolla saippuavedellä ja nailonharjalla. Anna maton kuivua ennen käyttöä.

### Voitelu (kuva F-4)

Juoksumatto on tarkistettava voitelua varten 2 kuukauden välein, perustuen keskimääräiseen 60 minuutin päivittäiseen käyttöön.

### ⚠ VAROITUS

- Poista virtajohdon pistoke pistorasiasta ennen voitelua.
- ### ⚠ HUOMAUTUS
- Suosittellemme tarkistamaan juoksumaton voitelun vähintään kerran kuukaudessa, sillä muutkin tekijät kuin aika voivat vaikuttaa voiteluolosuhteisiin.
  - Voitele juoksumatto vain tarvittaessa. Jos laitat liikaa voiteluainetta, juoksumatto lipsuu herkästi kitkan puuttumisesta johtuen.
- Seiso vakaasti juoksumatolla.
  - Pidä kiinni etukäsituesta ja työnnä juoksumattoa jaloillasi niin, että se liukuu edestakaisin. Juoksumaton on liikuttava pehmeästi ja tasaisesti ääntä pitämättä.

- Jos juoksumatto ei liiku pehmeästi ja tasaisesti tai, jos juoksumatto ei liiku ollenkaan, kosketa juoksumaton alapuolta sormenpäilläsi voitelun tarkistamiseksi:
  - Jos tunnet voiteluaineen tai sormesi ovat kiiltävät, juoksumatossa on riittävästi voiteluainetta.
  - Jos et tunne voiteluainetta, tai sormenpäisi ovat pölyiset tai ne tuntuvat karkeilta, laita voiteluainetta (15-20 ml) keskelle juoksumatosta juoksumaton alle ja anna laitteen käydä 5 km/h nopeudella vähintään 5 minuuttia.
  - Älä kokoontaita laitetta voitelun jälkeen ennen kuin olet suorittanut 20 minuutin harjoituksen vähintään 5 km/h nopeudella. Voiteluaine leviää tasaisesti yli koko juoksumaton.

### Matolle kertyvä pöly

Pölyä esiintyy tavanomaisen käyttöönoton aikana tai siihen asti kun matto vakautuu. Pyyhi mattoon mahdollisesti kerääntyvä pöly pois kevyesti kostutetulla liinalla.

### Peruspuhdistus

Lika, pöly ja lemmikkieläinten karvat voivat tukkia laitteen ilma-aukot ja kerääntyä mattoon. Estä epäpuhtauksien kerääntyminen imuroimalla kuukausittain kuntolaitteen alta. Kaksi kertaa vuodessa sinun pitäisi irrottaa moottorin musta suojuus ja imuroida sen alle kerääntynyt pöly.

IRROTA ENSIN VERKKOJOHDON PISTOKE PISTORASIASTA

### Maton säädöt:

Maton kireyden säätö - Kireys säädetään takatilasta. Säätöruuvit sijaitsevat reunalevyjen päätysruuvissa mukaisesti.

### Maton keskittäminen

- Takatelan ruuveja on kiristettävä (myötöpäivään) vain sen verran, että etutela ei enää luista. Kierrä kumpaakin kireydensäätöruuvia 1/4 kierroksen askelissa ja tarkista välillä maton kireys kävelemällä matolla alhaisessa nopeudessa, varmistaen että matto ei luista. Jatka säätöruuvien kiristämistä, kunnes matto ei enää luista.
- Jos matto tuntuu sinusta riittävän kireältä mutta se luistaa edelleen, ongelma voi johtua siitä, että etusuojuksen alla sijaitseva moottorin käyttöhihna on löysällä.
- Älä Kiristä Liikaa: Liiallinen kiristäminen voi vahingoittaa mattoa ja aiheuttaa laakerien ennenaikaisen vaurioitumisen.

### Maton kulku ja keskitys:

Juoksumaton hyvä toiminta riippuu siitä, lepääkö runko riittävän tasaisella alustalla. Jos runko ei ole aivan vaakasuorassa, etu- ja takatela eivät pyöri tasaisesti, ja matto tarvitsee toistuvasti säätämistä.

Juoksumatto on suunniteltu siten, että matto pysyy riittävän keskellä käytön aikana. On aivan normaalia, että jotkut matot kulkeutuvat kohti toista laitaa, jos käynnissä olevassa laitteessa ei ole harjoittelijaa. Kun laitetta on käytetty muutama minuutti, maton kuuluu kuitenkin keskittyä itsestään. Jos matto siirtyy käytön aikana jatkuvasti toiseen laitaan, sitä on säädettävä.

### POIKKEUS:

Kun juoksumattoa käytetään kuntoutukseen, ja kuntoutuja käyttää jompaakumpaa jalkaa toista jalkaa voimakkaammin, matto saattaa siirtyä toiseen laitaan. Tällaisessa tapauksessa mattoa ei pidä säätää. Sitä tulisi säätää vasta, jos matto ei tavallisessakaan harjoittelukäytössä keskity itsestään.

### Maton keskityksen säätö: (kuva F-5)

Juoksumaton mukana on toimitettu 10 mm:n koloavain takatelan säätämistä varten. Keskitystä säädetään vain telan vasemmassa reunassa olevasta ruuvista. Aseta maton nopeudeksi n. 3-5 km/h.

Muista, että pienelläkin säädöllä voi olla suuri vaikutus!

Kierrä ruuvia myötöpäivään, jos haluat siirtää mattoa oikealle. Vastapäivään kiertämällä saat maton siirtymään vasemmalle. Kierrä ruuvia vain 1/4 kierrosta ja odota muutama minuutti, että matto ehti mukautua säätöön. Jatka ruuvien kiertämistä 1/4 kierroksen askelissa, kunnes matto vakautuu juoksualustan keskelle.



Matto saattaa vaatia säännöllistä keskitystä laitteen käytöstä ja harjoittelijan kävely- tai juoksumatavasta riippuen. Eri käyttäjillä on erilainen vaikutus maton kulkuun. On todennäköistä, että joudut jossakin vaiheessa säätämään maton keskitystä. Kun mattoa käytetään, säädöt tulevat tutuiksi ja niistä on vähemmän huolta. Maton keskittäminen on juoksumaton omistajan vastuulla kaikissa juoksumatoissa.

### HUOM

- Maton vahingoittuminen huonosti toteutetun keskityksen tai kireyden säädön seurauksena ei kuulu takuun piiriin.

## Käyttöhäiriöt

Jatkuvasta laaduntarkkailusta huolimatta laitteessa saattaa esiintyä yksittäisistä komponenteista johtuvia yksilövikoja tai toimintahäiriöitä. Koko laitteen toimittaminen korjattavaksi on yleensä tarpeetonta, sillä vika on useimmiten korjattavissa ko. osan vaihdolla.

Mikäli laitteen toiminnassa ilmenee häiriöitä käytön aikana, ota välittömästi yhteys laitteen myyjään. Ilmoita laitteesi malli ja sarjanumero (sarjanumerotarran sijainnin näet tämän käyttöohjeen etukannen sisäpuolelta). Ilmoita lisäksi häiriön luonne, laitteen käyttöympäristö sekä ostopäivämäärä.

Mikäli tarvitset laitteeseesi varaosia, ota yhteys laitteen myyjään. Ilmoita aina laitteen malli, sarjanumero sekä tarvittavan osan varaosanumero. Varaosaluettelon löydät tämän oppaan lopusta. Laitteessa saa käyttää vain varaosalistassa mainittuja osia.

### Metrinen / keisarillinen asetus

Kun näytetty nopeus ei vastaa odotuksiasi, laite saattaa olla asetettu väärään asetukseen.

Metrinen: Min./ Max. Juoksumaton nopeus:  
0.8 Km/h/ 22.0 km/h.

Imperial: Min./ Max. Juoksumaton nopeus:  
0.5 Mls/h/ 13.7 Mls/h.

### Vaihda yksiköitä seuraavasti:

Ota turva-avain pois. (Konsolin esitys E7)

Paina ja pidä "Prog" ja "Mode" -painiketta painettuna 3 sekunnin ajan.

Konsoli näyttää pian:

- 0.5 Kun siirryt Imperial-tilaan.

- 0.8 Kun siirryt Metric-tilaan.

Aseta turva-avain takaisin paikalleen

### Virhekoodit

Jos näytöllä näkyy virhekoodi ("E" + numero), käynnistä laite uudelleen ja tarkista näkykö virhekoodi edelleen näytöllä. Jos virhekoodi näkyy edelleen näytöllä, ota välittömästi yhteys jälleenmyyjään.

### HUOM

- E7 ei ole virhekoodi, katso "Turvallisuusavain"

## Kuljetus ja säilytys

### VAROITUS

- Poista pistoke pistorasiasta ennen puhdistusta ja huoltoa.
- Vähintään kahden henkilön on kannettava ja siirrettävä laitetta.
- Varmista, ettei muita henkilöitä tai esineitä ole laitteen alla.
- Kokoontaittaessasi laitetta varmista, että kuulet laitteen lukittuvan paikalleen estäen laitteen putoavan uudelleen alas.

### HUOMAUTUS

- Varmista nousukulman olevan 0 % ennen laitteen kokoontaittoa. Jos nousukulma ei ole 0 %, kokoontaitto vaurioittaa mekanismia.
- Siirrä laite näytetyn mukaisesti (kuva F3). Siirtäkää laite ja laskekaa se varovasti alas. Asettakaa laite suojajalustalle lattiapinnan vaurioiden estämiseksi. Siirrä laitetta varovasti epätasaisilla pinnoilla. Älä siirrä laitetta yläkertaan pyöriä käyttäen. Suorita siirto kahvatuista kantaen.
- Säilytä laitetta pystyasennossa (kuva F1). Säilytä laitetta kuivassa, mahdollisimman tasalämpötilaisessa paikassa.

## Lisätietoa laitteen omistajalle

### Pakkauksen hävittäminen

Lainsäädäntö ohjeistaa meitä vähentämään kaatopaikoille toimitetun jätteen määrää. Sen vuoksi pyydämme sinua toimittamaan kaikki pakkausjätteet sitä varten tarkoitettuun kierrätyspisteeseen.

### Laitteen hävittäminen käyttöiän päätyttyä

Me Tunturilla toivomme, että iloitset kuntalaitteestasi vuosia.

Jokainen kuntolaite tulee kuitenkin aikanaan oman käyttöikänsä loppuun. Kotitalouksien sähkö- ja elektroniikkalaiteromua käsittelevien eurooppalaisten määräysten (WEEE) mukaan sinun kuuluu toimittaa kuntalaitteesi sitä varten tarkoitettuun keräyspaikkaan.

## Tekniset tiedot

| Parametri                       | Mittayksikkö | Arvo             |
|---------------------------------|--------------|------------------|
| Sähkölähteen jännite            | VAC          | 210 ~ 240        |
| Sähkölähteen taajuus            | HZ           | 50 ~ 60          |
| Moottori                        | HP           | 2.5<br>5.5 Max.  |
| Juoksumaton nopeus              | Km/H         | 0.8 ~ 22.0       |
| Juoksumaton nopeus              | Mph          | 0.5 ~ 13.7       |
| Nousukulma                      | Step         | 0 ~ 15           |
| Pituus (taitettuna)             | Cm           | 193.0<br>(137.0) |
| Pituus (taitettuna)             | Inch         | 76.0<br>(53.9)   |
| Leveys                          | Cm           | 82.5             |
| Leveys                          | Inch         | 32.5             |
| Korkeus (taitettuna)            | Cm           | 149.0<br>(155.0) |
| Korkeus (taitettuna)            | Inch         | 58.7<br>(61.0)   |
| Paino                           | Kg           | 117.0            |
| Paino                           | Lbs          | 257.9            |
| Suurin sallittu käyttäjän paino | Kb           | 150              |
| Suurin sallittu käyttäjän paino | Lbs          | 330              |
| HR. receiver                    | Khz          | 5.3 Khz          |

## Valmistajan vakuutus

---

Tunturi New Fitness BV vakuuttaa tuotteen täyttävän seuraavien standardien ja direktiivien vaatimukset: EN 957 (HA), 89/336/ETY. Tässä tuotteessa on sen vuoksi CE-merkki..

12-2019

Tunturi New Fitness BV  
Purmerweg 1  
1311 XE Almere  
Alankomaat

## Vastuuvapauslauseke

---

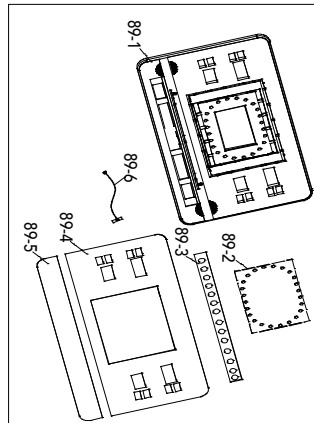
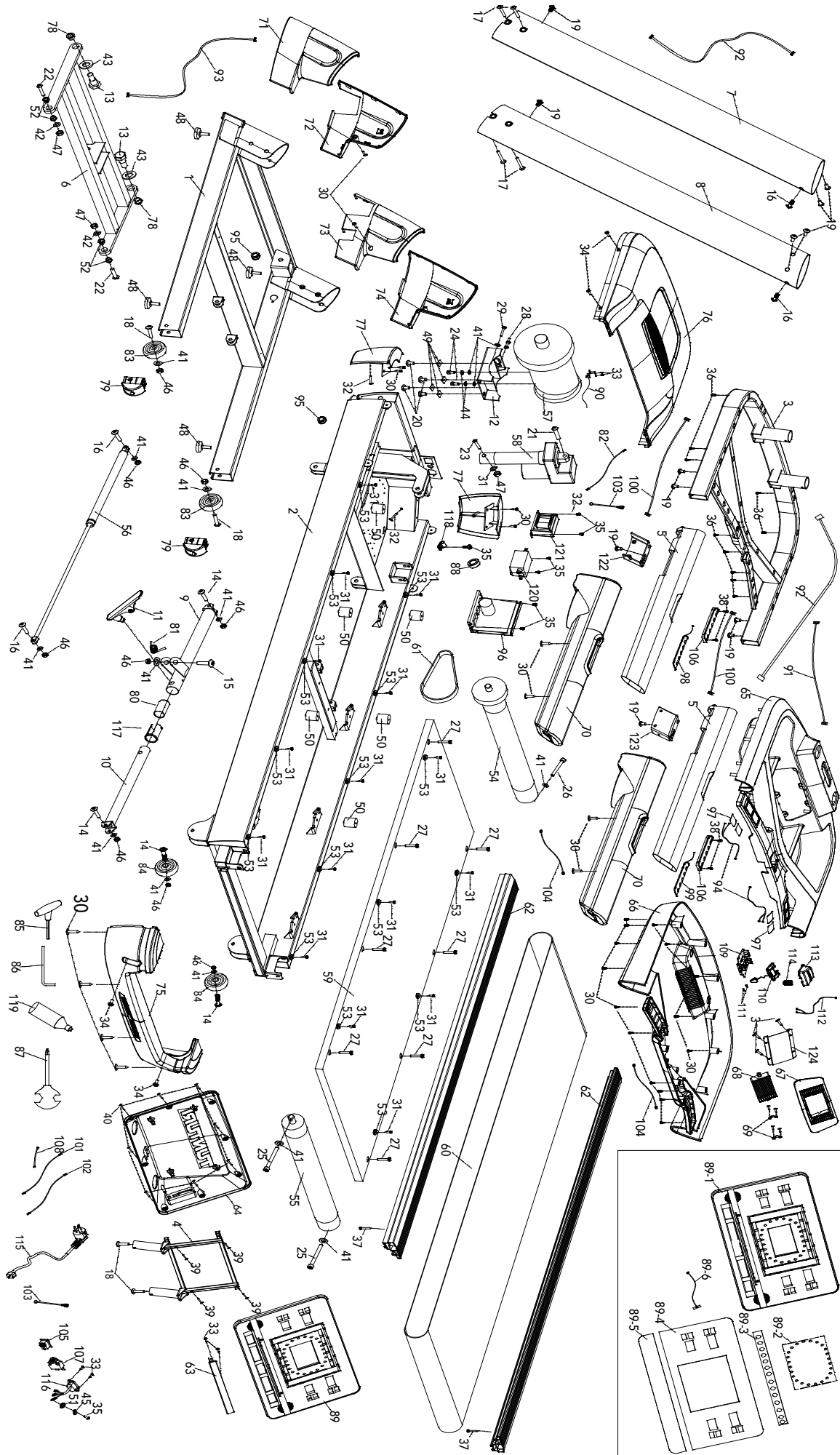
© 2019 Tunturi New Fitness BV  
Kaikki oikeudet pidätetään.

Tuote ja käyttöopas saattavat muuttua. Teknisiä tietoja saatetaan muuttaa ilman eri ilmoitusta.

| No. | Description  | Specs         | Qty |
|-----|--|---------------|-----|
| 1   | Base frame   |               | 1   |
| 2   | Main Frame   |               | 1   |
| 3   | Console frame                                      |               | 1   |
| 4   | Display frame                                      |               | 1   |
| 5   | Handle bar frame                                   |               | 2   |
| 6   | Incline frame                                      |               | 1   |
| 7   | Upright post (L)                                   |               | 1   |
| 8   | Upright post (R)                                   |               | 1   |
| 9   | Outside extension tube                             |               | 1   |
| 10  | Inside extension tube                              |               | 1   |
| 11  | Side landing frame                                 |               | 1   |
| 12  | Motor installation panel                           |               | 1   |
| 13  | Hex half thread screw                              | M12×Ø14×35×19 | 2   |
| 14  | Allen C.K.S half thread screw                      | M8×40×20      | 4   |
| 15  | Allen C.K.S half thread screw                      | M8×45×20      | 1   |
| 16  | Allen C.K.S half thread screw                      | M8×30×20      | 4   |
| 17  | Allen C.K.S half thread screw                      | M8×60×20      | 4   |
| 18  | Allen C.K.S half thread screw                      | M8×50×20      | 4   |
| 19  | Allen C.K.S full thread screw                      | M8×15         | 8   |
| 20  | Hex full thread screw                              | M8×20         | 4   |
| 21  | Allen C.K.S full thread screw                      | M10×35×15     | 1   |
| 22  | Allen C.K.S full thread screw                      | M10×35×20     | 2   |
| 23  | Allen C.K.S full thread screw                      | M10×65×20     | 1   |
| 24  | Allen socket full thread screw                     | M8×15         | 2   |
| 25  | Allen socket full thread screw                     | M8×75         | 2   |
| 26  | Allen socket full thread screw                     | M8×65         | 1   |
| 27  | Allen countersunk head full thread screw           | M6×30×Ø16     | 8   |
| 28  | Motor Bolt welding                                 | M8×65         | 1   |
| 29  | Hex full thread screw                              | M8×75         | 1   |
| 30  | Philips C.K.S.self-tapping screw                   | ST4×16        | 38  |
| 31  | Philips C.K.S.self-tapping screw                   | ST4×16        | 20  |
| 32  | Philips C.K.S.self-tapping screw                   | ST4×50        | 2   |
| 33  | Philips countersunk head self-tapping screw        | ST3×10        | 4   |
| 34  | Philips C.K.S. full thread screw                   | M5×10         | 6   |
| 35  | Philips C.K.S. full thread screw                   | M4×10         | 9   |
| 36  | Philips C.K.S.self-tapping screw                   | ST4×16        | 11  |
| 37  | Philips C.K.S.self-tapping screw                   | ST4×40)       | 4   |
| 38  | Philips pan head. full thread screw                | M3×28         | 4   |
| 39  | Philips C.K.S.self-tapping screw                   | ST4×20        | 4   |
| 40  | Philips washer head end cutting.self-tapping screw | ST4×12        | 8   |
| 41  | flat washer  | Ø8            | 19  |
| 42  | flat washer  | Ø10           | 3   |
| 43  | flat washer  | Ø14           | 2   |
| 44  | spring washer                                      | Ø8            | 2   |
| 45  | spring washer                                      | Ø5            | 3   |
| 46  | Hex nut  | M8            | 9   |
| 47  | Hex nut  | M10           | 3   |
| 48  | Adjusting foot pad                                 | Ø35×37×12×M8  | 4   |
| 49  | Square cushion                                     | 35×35×t5.0×Ø8 | 4   |
| 50  | Cylinder cushion                                   | Ø30×30×M6×6   | 6   |
| 51  | Serrated Lock Washers                              | Ø5            | 3   |

| No. | Description                              | Specs                 | Qty |
|-----|--|-----------------------|-----|
| 52  | Incline shaft sleeve                     | Ø25×Ø17×Ø10×6×1       | 4   |
| 53  | Round side rail guider                   | Ø25×Ø5×4.5            | 20  |
| 54  | Front roller                             | 95× 63× 17 (613×661)  | 1   |
| 55  | Rear roller                              | 63× 17 (586×646)      | 1   |
| 56  | Hydraulic                                | 702×330×Ø10×Ø8.2×600N | 1   |
| 57  | Motor                                    | DC180V/4600RPM        | 1   |
| 58  | Incline motor                            | 110mm/AC220V(222mm)   | 1   |
| 59  | Running deck                             | 1350×650×t21          | 1   |
| 60  | Running belt                             | 3200×550×t1.8         | 1   |
| 61  | Motor belt                               | 180/ PJ6              | 1   |
| 62  | Side landing                             | 93×36.5×1424          | 2   |
| 63  | IPAD holder                              |                       | 1   |
| 64  | console back housing                     | 480×270×83            | 1   |
| 65  | Console shell (up)                       | 908×458×130           | 1   |
| 66  | Console shell (down)                     | 908×458×100           | 1   |
| 67  | Outlet assembling part                   | 6750/300×84×25        | 1   |
| 68  | Outlet                                   |                       | 1   |
| 69  | Pressing plate                           | 22×7.0×6.0            | 2   |
| 70  | PU handle bar cover                      | 636×64×137            | 2   |
| 71  | Base cover L (L)                         | 295×92×228            | 1   |
| 72  | Base cover L (R)                         | 295×92×228            | 1   |
| 73  | Base cover R (L)                         | 295×92×228            | 1   |
| 74  | Base cover R (R)                         | 295×92×228            | 1   |
| 75  | Rear cover                               | 737×157×147           | 1   |
| 76  | Motor cover                              | 739×382×95            | 1   |
| 77  | Front base cover                         | 148×88×111.5          | 2   |
| 78  | Powder metallurgy set                    | Ø24×Ø19×Ø14×14×3      | 2   |
| 79  | Curve open tube plug                     | 40×60×t2.0            | 2   |
| 80  | Hollow round tube plug                   | Ø31.5×55              | 1   |
| 81  | Common cylindrical spiral torsion spring | 2219/Ø14×Ø2×14        | 1   |
| 82  | Power line                               |                       | 1   |
| 83  | Wheels                                   | Ø62×Ø8.0×t22          | 2   |
| 84  | Wheels                                   | Ø62×Ø8.0×t22          | 2   |
| 85  | T shape wrench                           | 6×80                  | 1   |
| 86  | L shape wrench                           | 6×35×80               | 1   |
| 87  | Cross open wrench                        | 14×17×75              | 1   |
| 88  | Magnet ring                              | Ø31×Ø19×t16           | 1   |
| 89  | Console                                  |                       | 1   |
| 90  | Speed sensor                             |                       | 1   |
| 91  | Communication wire                       | L-250mm               | 1   |
| 92  | Communication wire                       | L-1200mm              | 2   |
| 93  | Communication wire                       | L-800mm/ Ø10*650      | 1   |
| 94  | Handle pulse communication wire          | L-800mm               | 2   |
| 95  | wire protect ring                        | Ø21×Ø12×9             | 2   |
| 96  | Controller                               |                       | 1   |
| 97  | Handle pulse set                         | t0.3×42×60            | 4   |
| 98  | Incline handle quick key PCB             | L-450mm               | 1   |
| 99  | Speed handle quick key PCB               | L-450mm               | 1   |
| 100 | Handle pulse set wire                    | L-1100mm              | 2   |
| 101 | Power line                               | L-350mm/1.5mm2        | 1   |
| 102 | Power line                               | L-350mm/1.5mm2        | 1   |

| No. | Description                      | Specs                      | Qty |
|-----|----------------------------------|----------------------------|-----|
| 103 | Communication line( ground line) | L-200mm/1.5mm <sup>2</sup> | 2   |
| 104 | Communication line( ground line) | L-200mm/1.5mm <sup>2</sup> | 2   |
| 105 | Switch                           |                            | 1   |
| 106 | Handle quick key cover           | 126×34.5×12                | 2   |
| 107 | Self-reset switch                | 10A/ 250VAC                | 1   |
| 108 | Power line                       | L-100mm                    | 1   |
| 109 | Safety key fix plate             | 106×54×18                  | 1   |
| 110 | Safety key pull piece            | L-700mm                    | 1   |
| 111 | Safety key clips                 | t0.8×29×5                  | 2   |
| 112 | Safety key connecting wire       | L-500mm                    | 1   |
| 113 | Safety key press piece           | 83.5×42.7×33.2             | 1   |
| 114 | Pressure spring                  | Ø11.8×Ø0.8×24              | 1   |
| 115 | Seperated porwer cord            | 3×1.5mm <sup>2</sup> /2000 | 1   |
| 116 | Seperated porwer cord socket     |                            | 1   |
| 117 | Hollow round tube plug           | Ø35×t1.2                   | 3   |
| 118 | Cable clamp                      | 3/8(UC-2)                  | 2   |
| 119 | Silicon oil                      | 50ml                       | 1   |
| 120 | filter                           | 10A                        | 1   |
| 121 | Choke                            | 10A /L-500                 | 1   |
| 122 | Console frame bracket L          |                            | 1   |
| 123 | Console frame bracket R          |                            | 1   |
| 124 | Outlet cover                     |                            | 1   |









## Tunturi New Fitness BV

Purmerweg 1 NL - 1311 XE Almere

P.O. Box 60001 NL - 1320 AA Almere

The Netherlands

[www.tunturi.com](http://www.tunturi.com)

[info@tunturi.com](mailto:info@tunturi.com)

